

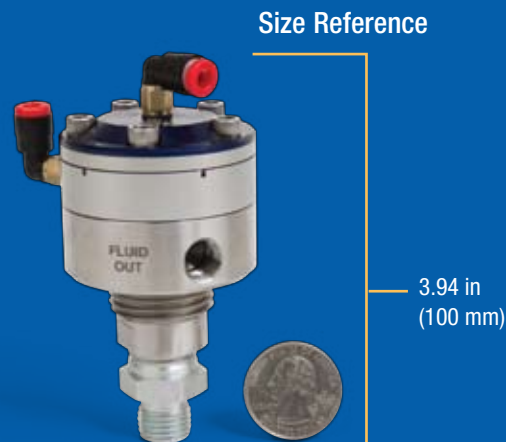
# Low Flow Regulator

Precise Fluid Control at Desired Flow Rates

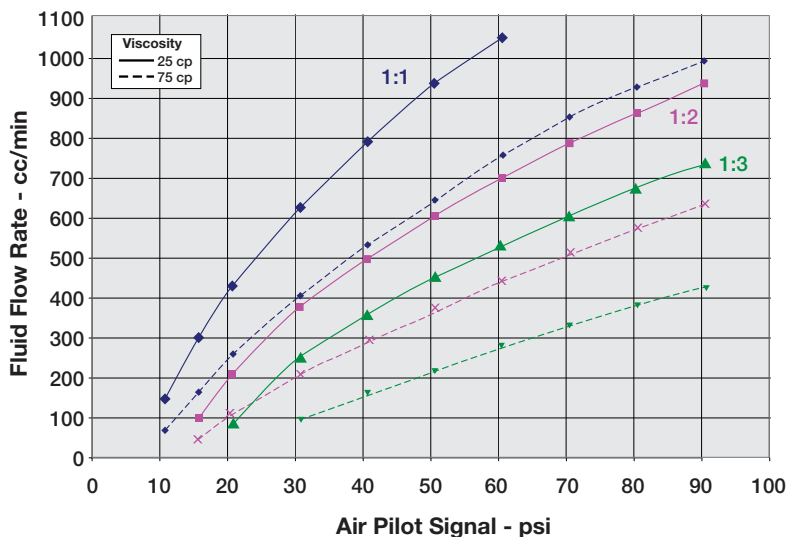
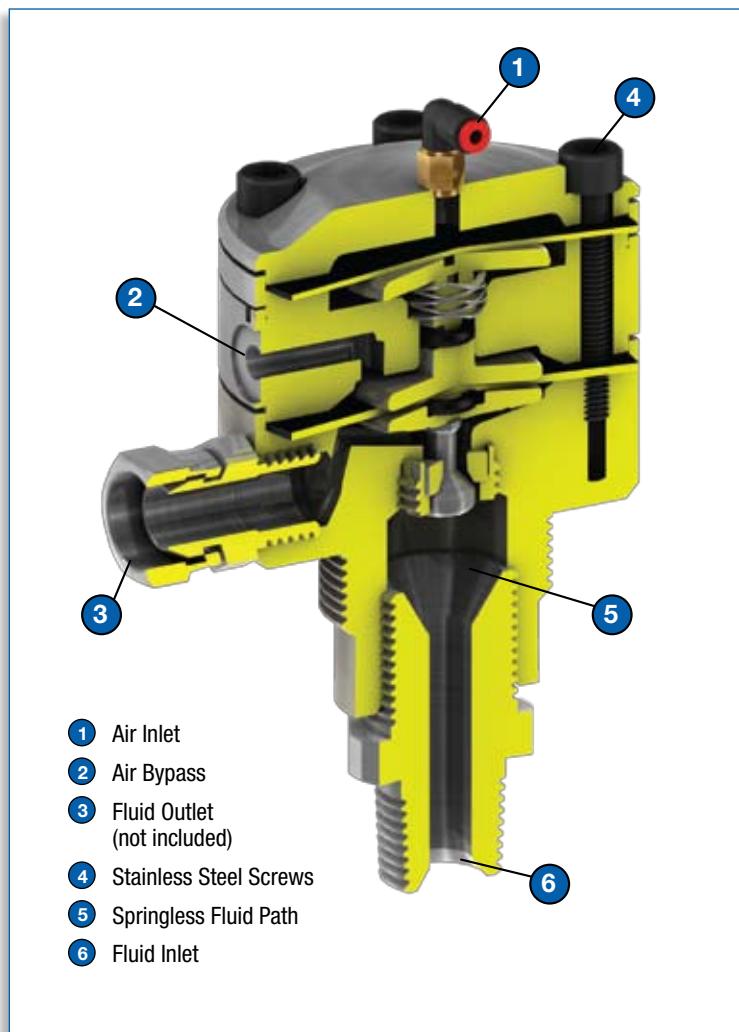


## Maintain consistent fluid regulation for automatic finishing applications

- Stainless wetted parts
- Springless fluid path prevents trapped material and allows for easy cleaning
- High flow bypass to allow fast cleaning
- Low volume fluid section minimizes flush volume and time
- Most compact air piloted fluid regulator design on the market



# Low Flow Regulator Features



Test conditions: 90 psi fluid inlet, 1.0 mm nozzle, 10 ft 1/4 ID hose

## Applications:

- Intricate finish details where precise control of fluid pressure is needed
- All automated applications for air operated fluid regulation
- Low flow rates/low viscosity applications



Graco's AirPro EFX™ Automatic Spray Gun automated air operated application

## Technical Specifications:

Height . . . . . 3.94 in (100 mm)  
 Diameter . . . . . 1.81 in (46 mm)  
 Max. Air Pressure . . . . . 100 psi (7 bar)  
 Max. Fluid Input . . . . . 300 psi (20.6 bar)  
 Fluid Output  
 1:1 . . . . . 1 – 90 psi (0.06 – 6.2 bar)  
 1:2 . . . . . 1 – 50 psi (0.06 – 3.4 bar)  
 1:3 . . . . . 1 – 30 psi (0.06 – 2.0 bar)  
 Hi-Port (all models) . . . . . 1 – 90 psi (0.06 – 6.2 bar)

## Pneumatic and Fluid Connections:

Air Pilot . . . . . 5/32 in (4 mm) OD tube  
 Air Override . . . . . 5/32 in (4 mm) OD tube  
 Fluid In . . . . . 1/4 – 18 NPT(m)  
 Fluid Out . . . . . 1/8 – 27 NPT(f)

## Ordering Information:

Ratio	Ratio Spacer	Part Number
1:1	Silver	24C375
1:2	Green	24E471
1:3	Black	24E472

## Conversion Kits:

(includes piston parts and air diaphragm)

Ratio	Ratio Spacer	Part Number
1:1	Silver	24E501
1:2	Green	24E502
1:3	Black	24E503

## Service Kits:

- 24E504 Seal Kit**  
Includes diaphragms, seat and o-ring seals
- 24F140 Seal Kit**  
Includes seat, needle and seat retainer

All written and visual data contained in this document are based on the latest product information available at the time of publication. Graco reserves the right to make changes at any time without notice.

Call today for product information or to request a demonstration.  
**877.84GRACO** (1-877-844-7226) or visit us at [www.graco.com](http://www.graco.com).

©2010 Graco Inc. Form No. 344836 Rev. A 4/10 Printed in the U.S.A.  
 All other brand names or marks are used for identification purposes and are trademarks of their respective owners.

