

4-Ball Lower Retrofit Connection Kits

311876R

EN

Connection kits for 4-Ball Lowers. For professional use only.

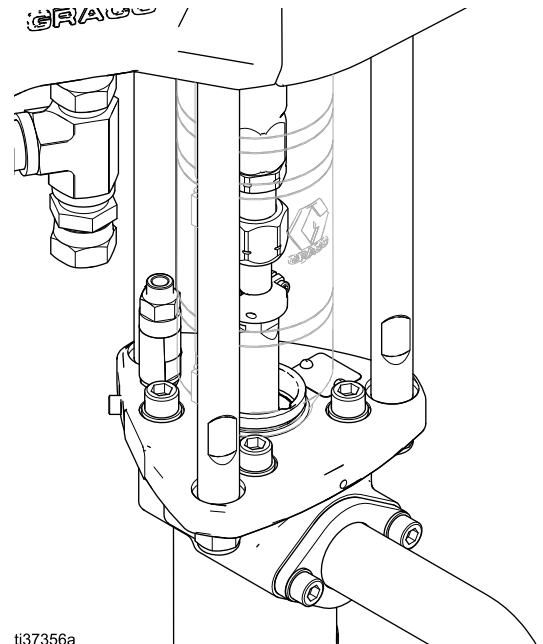


Important Safety Instructions

Read all warnings and instructions in this manual and in your pump manual. Save these instructions.

See the **Connection Kit Usage Charts** on pages 3 to select the correct connection kit for your lower and motor. A Shield Kit may also be required. See manual 406876 to order the correct shield kit for your pump.

Connection Kit 17Z549 shown mounted on an XL air motor



Contents

Connection Kit Usage Chart	3
NXT 2200, NXT 3400, or E-Flo DC Electric Motors	6
Connection Kit 288202	6
Connection Kit 288209	8
Connection Kit 17K525	10
Original E-Flo Electric Motor	11
Connection Kit 17K524	11
Connection Kit 24F308	12
Connection Kit 17K517	13
President Air Motor	14
Connection Kit 288504	14
Connection Kit 24J185	15
Connection Kit 24J186	16
Connection Kit 17K523	17
Viscount I Hydraulic Motor	18
Connection Kit 24F065	18
Connection Kit 17K519	19
Viscount II Hydraulic Motor	20
Connection Kit 24J390	20
Connection Kit 17K520	21
Connection Kit 17Z549	22
California Proposition 65	23
Graco Standard Warranty	24
Graco Information	24

Connection Kit Usage Chart

Refer to the following chart to select the correct Connection Kit for your pump lower and motor.

The following motors are listed:

President®, Senator®, NXT® 2200, NXT® 3400, Bulldog® Air Motors, Viscount® I+ and Viscount® II Hydraulic Motors, E-Flo® and E-Flo® DC Electric Motors, and XL 3400 and XL6500 Air Motors.

NR: Not recommended; NA: Not applicable

Pump Lower Part No.	Pump Lower Size (cc)	Connection Kit Part No. (see page numbers)												
		President	President (stubby size)	Senator	NXT 2200	NXT 3400	NXT 6500	Bulldog	Viscount I+	Viscount II	Original E-Flo	E-Flo DC	XL 3400	XL 6500
17Z387	2500	NR	NR	NR	NR	17Z549 (22)	17Z549 (22)	17K517 (13)	NR	17K520 (21)	NR	1 hp: not recommended 2 hp or DCx2: 17K525 (8)	17Z549 (22)	17Z549 (22)
17Z388	3000	NR	NR	NR	NR	17Z549 (22)	17Z549 (22)	17K517 (13)	NR	17K520 (21)	NR		17Z549 (22)	17Z549 (22)
17Z389	4000	NR	NR	NR	NR	17Z549 (22)	17Z549 (22)	17K517 (13)	NR	17K520 (21)	NR		17Z549 (22)	17Z549 (22)
17Z390	2500	NR	NR	NR	NR	17Z549 (22)	17Z549 (22)	17K517 (13)	NR	17K520 (21)	NR		17Z549 (22)	17Z549 (22)
17Z391	3000	NR	NR	NR	NR	17Z549 (22)	17Z549 (22)	17K517 (13)	NR	17K520 (21)	NR		17Z549 (22)	17Z549 (22)
17Z392	4000	NR	NR	NR	NR	17Z549 (22)	17Z549 (22)	17K517 (13)	NR	17K520 (21)	NR		17Z549 (22)	17Z549 (22)
17K656	750	17K523 (16)	NA	NR	NR	NR	NR	NR	17K519 (19)	NR	17K524 (11)	17K525 (8)	NR	NR
17K657	1000	17K523 (16)	NA	17K517 (13)	17K525 (10)	NR	NR	NR	17K519 (19)	NR	17K524 (11)	17K525 (8)	NR	NR
17K658	1500	17K523 (16)	NA	17K517 (13)	17K525 (10)	17K525 (10)	NR	17K517 (13)	17K519 (19)	NR	17K524 (11)	17K525 (8)	NR	NR
17K659	2000	17K523 (16)	NA	17K517 (13)	17K525 (10)	17K525 (10)	NR	17K517 (13)	17K519 (19)	17K520 (24)	17K524 (11)	17K525 (8)	NR	NR
17K660	750	24J185 (15)	24J186 (15)	NR	NR	NR	NR	NR	24F065 (18)	NR	NA	288209 (8)	NR	NR
17K661	1000	24J185 (15)	24J186 (15)	24F308 (12)	288209 (8)	NR	NR	NR	24F065 (18)	NR	NA	288209 (8)	NR	NR
17K662	1500	24J185 (15)	24J186 (15)	24F308 (12)	288209 (8)	288209 (8)	NR	24F308 (12)	24F065 (18)	NR	NA	288209 (8)	NR	NR
17K663	2000	NR	NR	24F308 (12)	288209 (8)	288209 (8)	NR	24F308 (12)	24F065 (18)	24J390 (20)	NA	288209 (8)	NR	NR

Pump Lower Part No.	Pump Lower Size (cc)	Connection Kit Part No. (see page numbers)												
		President	President (stubby size)	Senator	NXT 2200	NXT 3400	NXT 6500	Bulldog	Viscount I+	Viscount II	Original E-Flo	E-Flo DC	XL 3400	XL 6500
17K664	750	24J185 (15)	24J186 (15)	NR	NR	NR	NR	NR	24F065 (18)	NR	NA	288209 (8)	NR	NR
17K665	1000	24J185 (15)	24J186 (15)	24F308 (12)	288209 (8)	NR	NR	NR	24F065 (18)	NR	NA	288209 (8)	NR	NR
17K666	1500	24J185 (15)	24J186 (15)	24F308 (12)	288209 (8)	288209 (8)	NR	24F308 (12)	24F065 (18)	NR	NA	288209 (8)	NR	NR
17K667	2000	NR	NR	24F308 (12)	288209 (8)	288209 (8)	NR	24F308 (12)	24F065 (18)	24J390 (20)	NA	288209 (8)	NR	NR
17K668	750	24J185 (15)	24J186 (15)	NR	NR	NR	NR	NR	24F065 (18)	NR	NA	288209 (8)	NR	NR
17K669	1000	24J185 (15)	24J186 (15)	24F308 (12)	288209 (8)	NR	NR	NR	24F065 (18)	NR	NA	288209 (8)	NR	NR
17K670	1500	24J185 (15)	24J186 (15)	24F308 (12)	288209 (8)	288209 (8)	NR	24F308 (12)	24F065 (18)	NR	NA	288209 (8)	NR	NR
17K671	2000	NR	NR	24F308 (12)	288209 (8)	288209 (8)	NR	24F308 (12)	24F065 (18)	24J390 (20)	NA	288209 (8)	NR	NR
17Z695	2500	NR	NR	NR	NR	17Z549 (22)	17Z549 (22)	17K517 (13)	NR	17K520 (21)	NR	1 hp: not recommended 2 hp or DCx2: 17K525 (8)	17Z549 (22)	17Z549 (22)
17Z696	3000	NR	NR	NR	NR	17Z549 (22)	17Z549 (22)	17K517 (13)	NR	24J390 (20)	NR		17Z549 (22)	17Z549 (22)
17Z697	4000	NR	NR	NR	NR	17Z549 (22)	17Z549 (22)	17K517 (13)	NR	17K520 (21)	NR		17Z549 (22)	17Z549 (22)
17Z698	2500	NR	NR	NR	NR	17Z549 (22)	17Z549 (22)	17K517 (13)	NR	17K520 (21)	NR		17Z549 (22)	17Z549 (22)
17Z699	3000	NR	NR	NR	NR	17Z549 (22)	17Z549 (22)	17K517 (13)	NR	17K520 (21)	NR		17Z549 (22)	17Z549 (22)
17Z700	4000	NR	NR	NR	NR	17Z549 (22)	17Z549 (22)	17K517 (13)	NR	17K520 (21)	NR		17Z549 (22)	17Z549 (22)
25N400	750	17K523 (17)	NA	17K517 (13)	17K525 (10)	17K525 (10)	NR	NR	17K519 (19)	NR	17K524 (11)	17K525 (10)	NR	NR
25N404	1000	17K523 (17)	NA	17K517 (13)	17K525 (10)	17K525 (10)	NR	NR	17K519 (19)	NR	17K524 (11)	17K525 (10)	NR	NR
25N408	1500	17K523 (17)	NA	17K517 (13)	17K525 (10)	17K525 (10)	NR	17K517 (13)	17K519 (19)	NR	17K524 (11)	17K525 (10)	NR	NR
25N410	2000	17K523 (17)	NA	17K517 (13)	17K525 (10)	17K525 (10)	NR	17K517 (13)	17K519 (19)	17K520 (21)	17K524 (11)	17K525 (10)	NR	NR
25N416	750	17K523 (17)	NA	17K517 (13)	17K525 (10)	17K525 (10)	NR	NR	17K519 (19)	NR	17K524 (11)	17K525 (10)	NR	NR
25N417	1000	17K523 (17)	NA	17K517 (13)	17K525 (10)	17K525 (10)	NR	NR	17K519 (19)	NR	17K524 (11)	17K525 (10)	NR	NR

Pump Lower Part No.	Pump Lower Size (cc)	Connection Kit Part No. (see page numbers)												
		President	President (stubby size)	Senator	NXT 2200	NXT 3400	NXT 6500	Bulldog	Viscount I+	Viscount II	Original E-Flo	E-Flo DC	XL 3400	XL 6500
25N418	1500	17K523 (17)	NA	17K517 (13)	17K525 (10)	17K525 (10)	NR	17K517 (13)	17K519 (19)		17K524 (11)	17K525 (10)	NR	NR
25N419	2000	17K523 (17)	NA	17K517 (13)	17K525 (10)	17K525 (10)	NR	17K517 (13)	17K519 (19)	17K520 (21)	17K524 (11)	17K525 (10)	NR	NR
25N424	750	17K523 (17)	NA	17K517 (13)	17K525 (10)	17K525 (10)	NR	NR	17K519 (19)	NR	17K524 (11)	17K525 (10)	NR	NR
25N425	1000	17K523 (17)	NA	17K517 (13)	17K525 (10)	17K525 (10)	NR	NR	17K519 (19)	NR	17K524 (11)	17K525 (10)	NR	NR
25N426	1500	17K523 (17)	NA	17K517 (13)	17K525 (10)	17K525 (10)	NR	17K517 (13)	17K519 (19)	NR	17K524 (11)	17K525 (10)	NR	NR
25N427	2000	17K523 (17)	NA	17K517 (13)	17K525 (10)	17K525 (10)	NR	17K517 (13)	17K519 (19)	17K520 (21)	17K524 (11)	17K525 (10)	NR	NR
24E664†	1000	24J185 (15)	24J186 (15)	24F308 (12)	288209 (8)	NR	NR	NR	24F065 (18)	NR	NR	288209 (8)	NR	NR
24F062†	1000	24J185 (15)	24J186 (15)	24F308 (12)	288209 (8)	NR	NR	NR	24F065 (18)	NR	NR	288209 (8)	NR	NR
24H346†	1500	24J185 (15)	24J186 (15)	24F308 (12)	288209 (8)	288209 (8)	NR	24F308 (12)	24F065 (18)	NR	NR	288209 (8)	NR	NR
24H347†	1500	24J185 (15)	24J186 (15)	24F308 (12)	288209 (8)	288209 (8)	NR	24F308 (12)	24F065 (18)	NR	NR	288209 (8)	NR	NR
24H348†	2000	288504 (15)	24J186 (15)	24F308 (12)	288209 (8)	288209 (8)	NR	24F308 (12)	24F065 (18)	24J390 (20)	NR	288209 (8)	NR	NR
24H349†	2000	288504 (15)	24J186 (15)	24F308 (12)	288209 (8)	288209 (8)	NR	24F308 (12)	24F065 (18)	24J390 (20)	NR	288209 (8)	NR	NR

† Retrofitted lowers.



* Drum mounted pump lower with open wet-cup and spring loaded packings.

NXT 2200, NXT 3400, or E-Flo DC Electric Motors

Connection Kit 288202

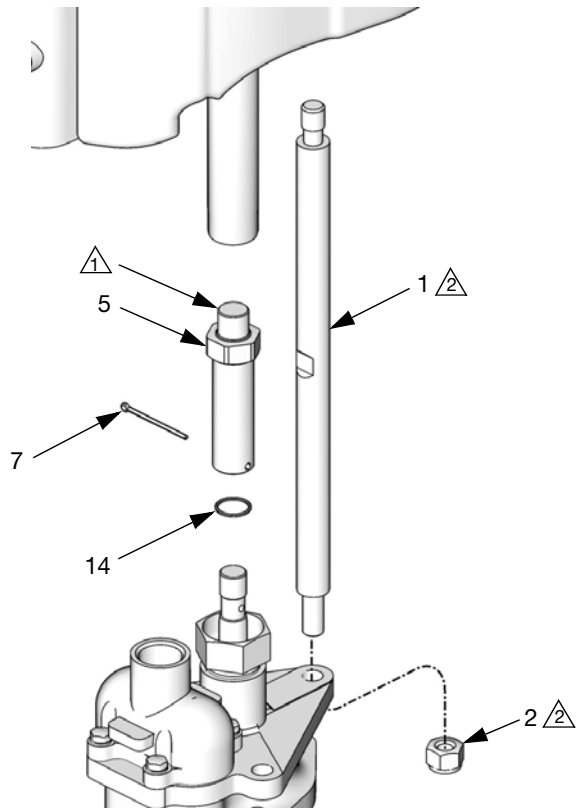
Connects Old Style 4-Ball Lower to NXT 2200 or NXT 3400 Air Motor, or E-Flo DC Electric Motor

NOTE: See the **Connection Kit Usage Chart** on pages 3-5 to find the lowers and motors that use Connection Kit 288202.

 WARNING	
	Using an NXT 2200 motor or an E-Flo DC 2 HP motor with a 750cc lower or using an NXT 3400 motor with a 750cc or 1000cc lower could cause dangerous overpressurization.

Parts List and Drawing

Ref. Part.	Description	Qty
1	15G924 ROD, tie	3
2	108683 NUT, lock, hex	3
3	111368 SEALANT; 0.5 cc	1
5	15H980 ADAPTER, lg mr	1
7	100103 PIN, cotter	1
14	108284 PACKING, o-ring	1



T18984a



△ Apply sealant (3) and torque to 145-155 ft-lb (196 -210 N•m)

△ Torque to 50-60 ft-lb (68-81 N•m).

Connection Kit 288209

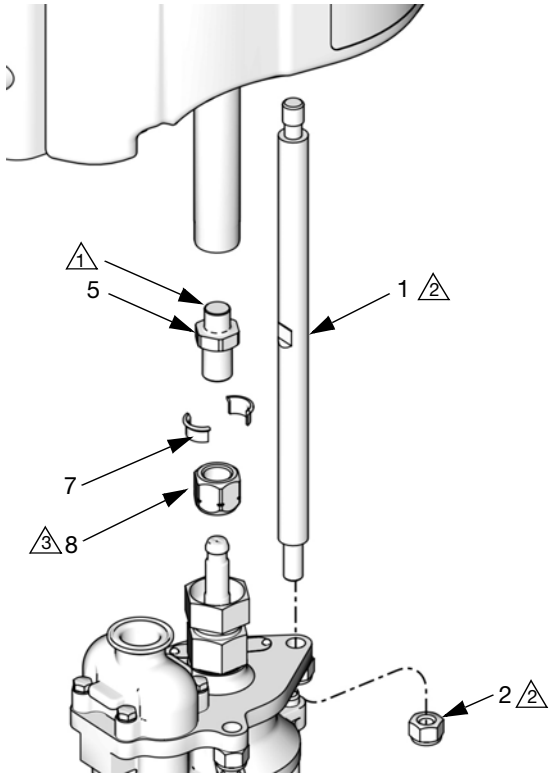
Connects 4-Ball Lower with Open or Enclosed Wet Cup to NXT 2200 or NXT 3400 Air Motor, or E-Flo DC Electric Motor

NOTE: See the **Connection Kit Usage Charts** on pages 3-5 to find the lowers and motors that use Connection Kit 288209.

 WARNING	
	Using an NXT 2200 motor or an E-Flo DC 2 HP motor with a 750cc lower or using an NXT 3400 motor with a 750cc or 1000cc lower could cause dangerous overpressurization.

Parts List and Drawing

Ref. Part.	Description	Qty
1	15G924 ROD, tie	3
2	108683 NUT, lock, hex	3
3	111368 SEALANT; 0.5 cc	1
5	15H369 ADAPTER	1
7	184128 COLLAR, coupling	2
8	17F000 NUT, coupling	1



TI21556b

① Apply sealant (3) and torque to 145-155 ft-lb (196 -210 N•m).



② Torque to 50-60 ft-lb (68-81 N•m).

③ Torque to 90-100 ft-lb (122-135 N•m).

Connection Kit 17K525

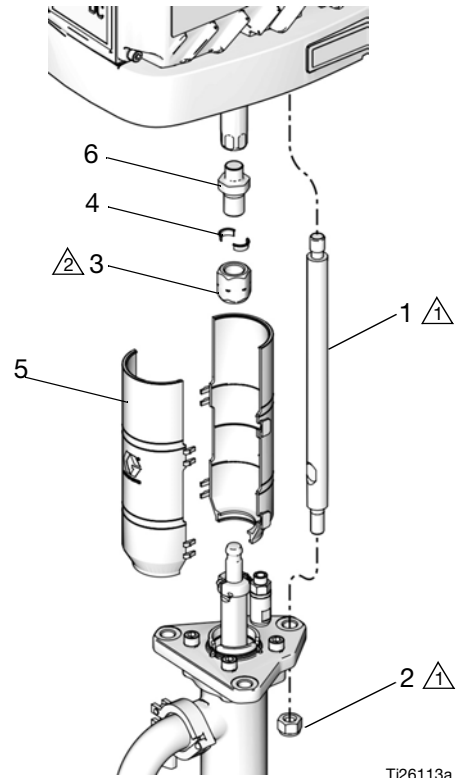
Connects Sealed 4-Ball Lower to NXT Air Motor or the E-Flo DC Electric Motor


NOTE: See the **Connection Kit Usage Chart** on pages 3-5 to find the lowers and motors that use Connection Kit 17K525.


 <h1 style="margin: 0;">WARNING</h1>	
	<p>Using an NXT 2200 motor or an E-Flo DC 2 HP motor with a 750cc lower or using an NXT 3400 motor with a 750cc or 1000cc lower could cause dangerous overpressurization.</p>

Parts List and Drawing

Ref.	Part.	Description	Qty
1	16X771	ROD, tie	3
2	108683	NUT, lock, hex	3
3	17F000	NUT, coupling	1
4	184128	COLLAR, coupling	2
5	24F251	KIT, SHIELD; includes 2	1
6	15H369	ADAPTER	1



 Torque to 50-60 ft-lb (68-81 N•m).

 Torque to 90-100 ft-lb (122-135 N•m).

Original E-Flo Electric Motor



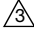
Connection Kit 17K524

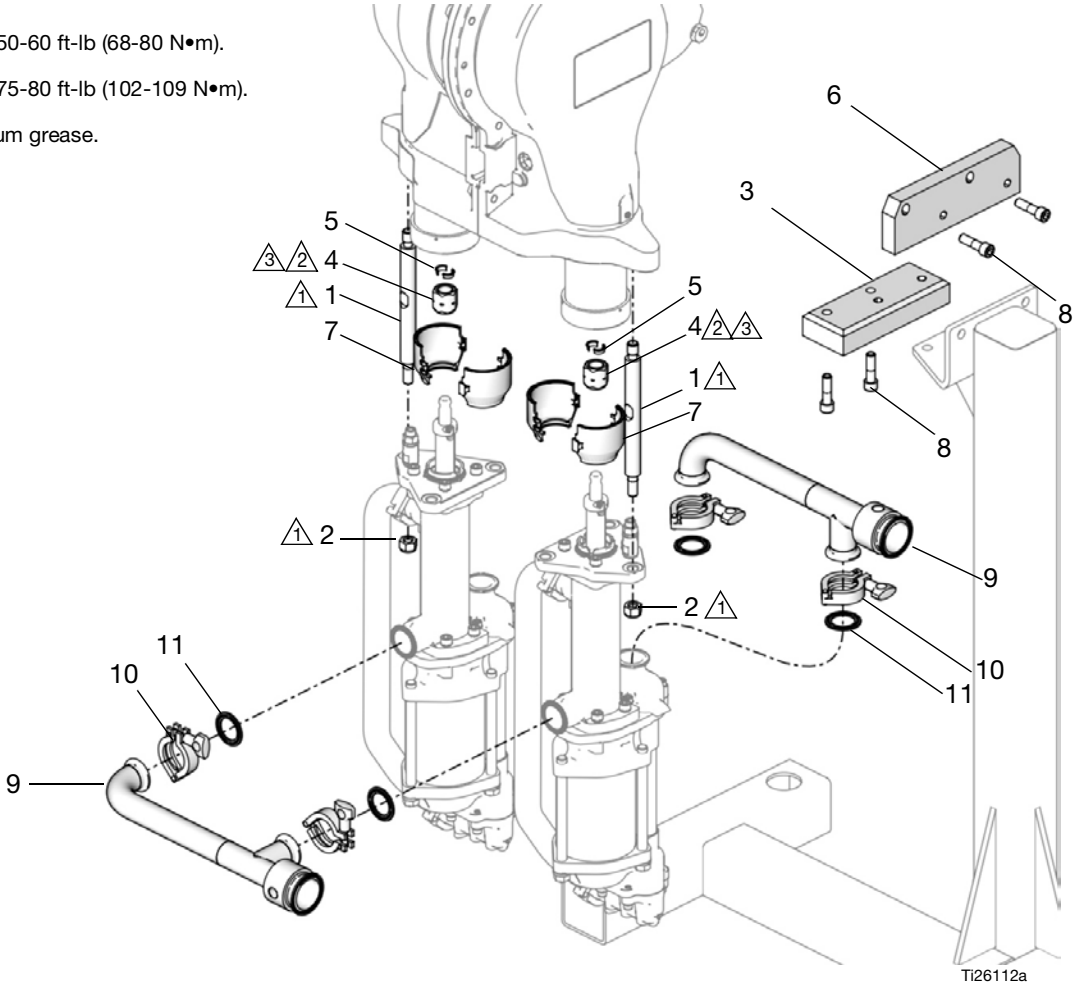
Connects Sealed 4-Ball Lower to the Original E-Flo Motor.

NOTE: See the **Connection Kit Usage Chart** on pages 3-5 to find the lowers and motors that use Connection Kit 17K524.

Parts List and Drawing

Ref.	Part.	Description	Qty
1	17C455	ROD, tie	6
2	108683	NUT, lock, hex	6
3	17F533	ADAPTER, riser	1
4	17F000	NUT, coupling	2
5	184128	COLLAR, coupling	4
6	17F534	ADAPTER, plate	1
7	24F253	KIT, shield, coupling; <i>includes 2</i>	2
8	110343	SCREW, cap	4
9	17D589	MANIFOLD	2
10	118598	CLAMP, sanitary, 1.5 in.	4
11	120351	GASKET, sanitary	4

-  Torque to 50-60 ft-lb (68-80 N•m).
-  Torque to 75-80 ft-lb (102-109 N•m).
-  Apply lithium grease.



Connection Kit 24F308

Connects 4-Ball Lower with Open or Enclosed Wet Cup to Bulldog or Senator Air Motor

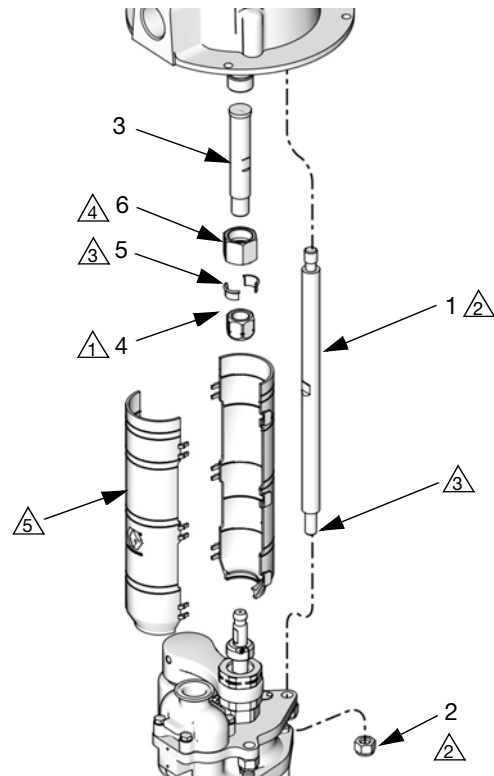
NOTE: See the **Connection Kit Usage Chart** on pages 3-5 to find the lowers and motors that use Connection Kit 24F308.

WARNING

Using a Bulldog or Senator air motor with a 750cc lower, or a Bulldog air motor with a 1000cc lower, could cause dangerous overpressurization.

Parts List and Drawing

Ref.	Part.	Description	Qty
1	183089	ROD, tie	3
2	108527	NUT, lock, hex	3
3	16F214	ADAPTER, lg mr	1
4	17F000	NUT, coupling	1
5	184128	COLLAR, coupling	2
6	183079	NUT, adapter	1




- ① Torque to 145-150 ft-lb (196-203 N•m).
- ② Torque to 50-55 ft-lb (68-75 N•m).
- ③ Apply lubricant.
- ④ Torque to 75-80 ft-lb (102-109 N•m).
- ⑤ Shield Kit is not included. See manual 406876 to order the correct shield kit for your pump.

T18985c


Connection Kit 17K517

Connects Sealed 4-Ball Lower to Bulldog or Senator Air Motor

NOTE: See the **Connection Kit Usage Chart** on pages 3-5 to find the lowers and motors that use Connection Kit 17K517.



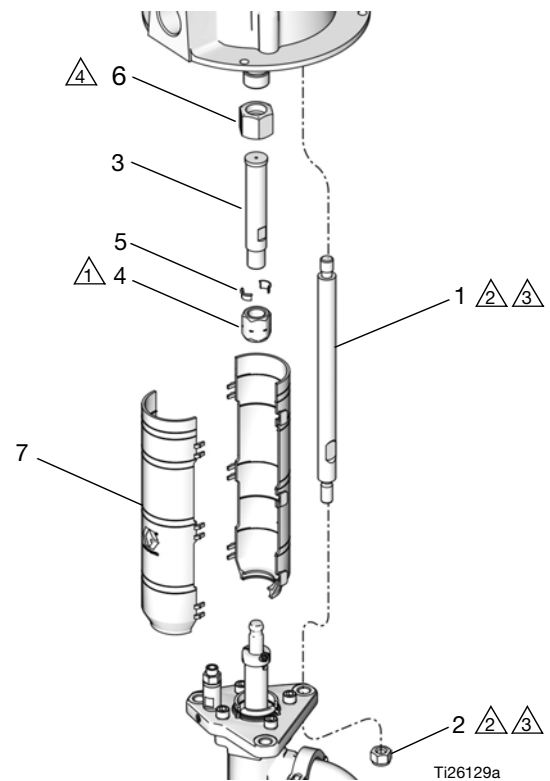
WARNING



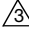



Using a Bulldog or Senator air motor with a 750cc lower, or a Bulldog air motor with a 1000cc lower, could cause dangerous overpressurization.

Parts List and Drawing

Ref.	Part.	Description	Qty
1	17F456	ROD, tie	3
2	108683	NUT, lock, hex	3
3	16F214	ADAPTER	1
4	17F000	NUT, coupling	1
5	184128	COLLAR, coupling	2
6	183079	NUT, adapter	1
7	24F252	KIT, SHIELD, coupling, includes 2	1



-  Torque to 90-100 ft-lb (122-135 N•m).
-  Torque to 50-55 ft-lb (68-75 N•m).
-  Lubricate threads.
-  Torque to 75-80 ft-lb (102-109 N•m).

President Air Motor

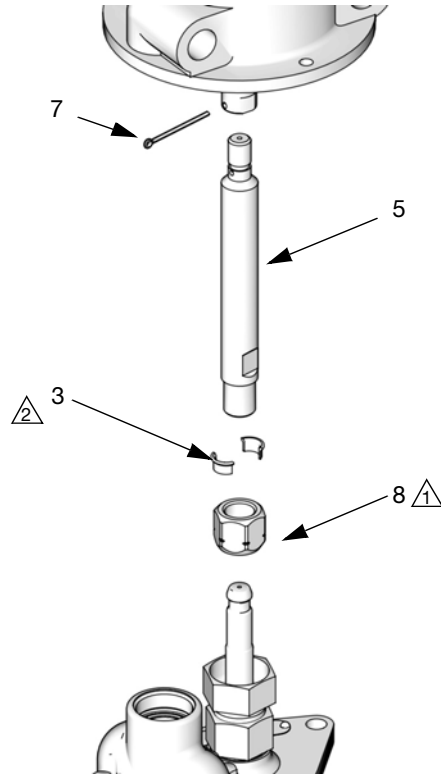
Connection Kit 288504

Connects 4-Ball Lower with Torqueable Wet Cup to President Air Motor

NOTE: See the **Connection Kit Usage Chart** on pages 3-5 to find the lowers and motors that use Connection Kit 288504.

Parts List and Drawing

Ref.	Part.	Description	Qty
3	184128	COLLAR, coupling	2
5	15J948	ADAPTER	1
7	100579	PIN, cotter	1
8	17F000	NUT, coupling	1



TI32825a

△1 Torque to 90-100 ft-lb (122-135 N•m).

△2 Apply lubricant.

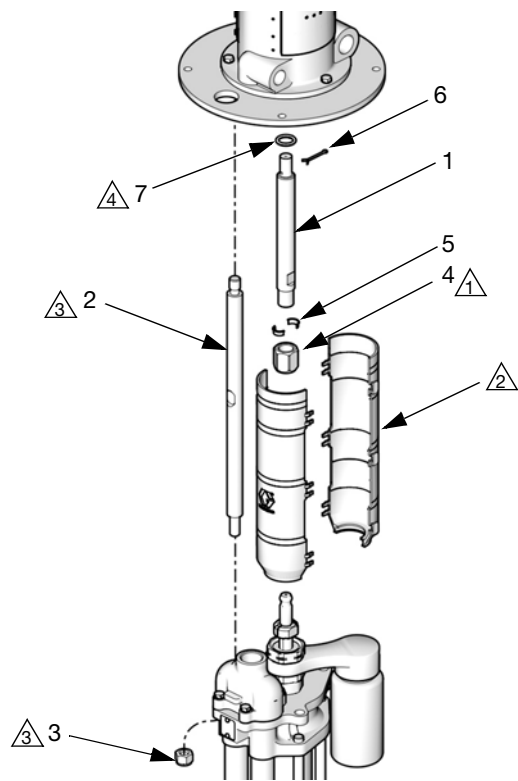
Connection Kit 24J185

Connects Standard-Length 4-Ball Lower with Open or Enclosed Wet Cup to President Air Motor

NOTE: See the **Connection Kit Usage Chart** on pages 3-5 to find the lowers and motors that use Connection Kit 24J185.

Parts List and Drawing

Ref.	Part.	Description	Qty
1	16H544	ADAPTER	1
2	15G924	TIE ROD	3
3	108683	NUT, lock, hex	3
4	15T311	NUT, coupling	1
5	184128	COLLAR, coupling	2
6	100103	PIN, cotter	1
7	156082	PACKING, o-ring, 112	1



- ① Torque to 90-100 ft-lb (122-135 N•m).
- ② Shield Kit is not included. See manual 406876 to order the correct shield kit for your pump.
- ③ Torque to 50-55 ft-lb (68-75 N•m).
- ④ Fill cavity with grease.

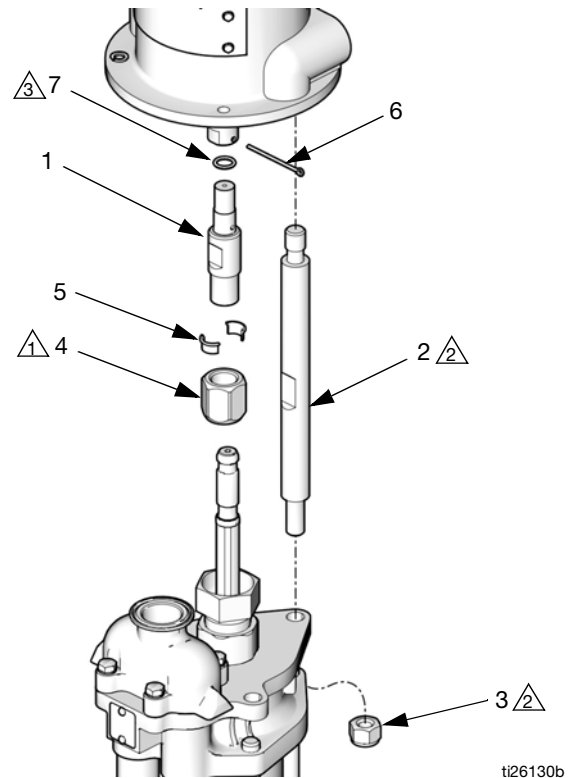
Connection Kit 24J186

Connects Stubby-Length 4-Ball Lower with Open or Enclosed Wet Cup to President Air Motor

NOTE: See the **Connection Kit Usage Chart** on pages 3-5 to find the lowers and motors that use Connection Kit 24J186.

Parts List and Drawing

Ref.	Part.	Description	Qty
1	16H375	ADAPTER	1
2	16H434	TIE ROD	3
3	108683	NUT, lock, hex	3
4	15T311	NUT, coupling	1
5	184128	COLLAR, coupling	2
6	100103	PIN, cotter	1
7	156082	PACKING, o-ring, 112	1



△1 Torque to 90-100 ft-lb (122-135 N•m).

△2 Torque to 50-55 ft-lb (68-75 N•m).

△3 Fill cavity with grease.

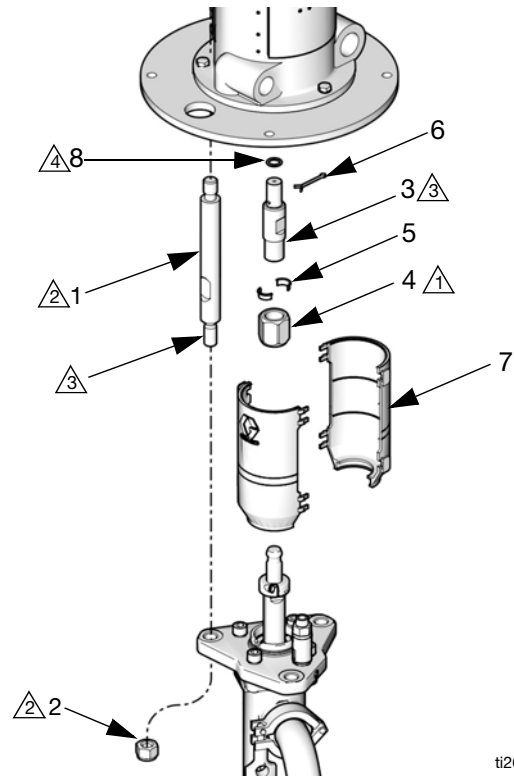
Connection Kit 17K523

Connects Sealed 4-Ball Lower to the President Air Motor

NOTE: See the **Connection Kit Usage Chart** on pages 3-5 to find the lowers and motors that use Connection Kit 17K523.

Parts List and Drawing

Ref.	Part.	Description	Qty
1	17C261	ROD, tie	3
2	108683	NUT, lock, hex	3
3	16H375	ADAPTER	1
4	17F000	NUT, coupling	1
5	184128	COLLAR, coupling	2
6	100103	PIN, cotter	1
7	24A640	KIT, SHIELD, coupling, includes 2	1
8	156082	PACKING, o-ring, 112	1



- ⚠️ Torque to 90-100 ft-lb (122-135 N•m).
- ⚠️ Torque to 50-55 ft-lb (68-75 N•m).
- ⚠️ Apply lubricant.
- ⚠️ Fill cavity with grease.

Viscount I Hydraulic Motor

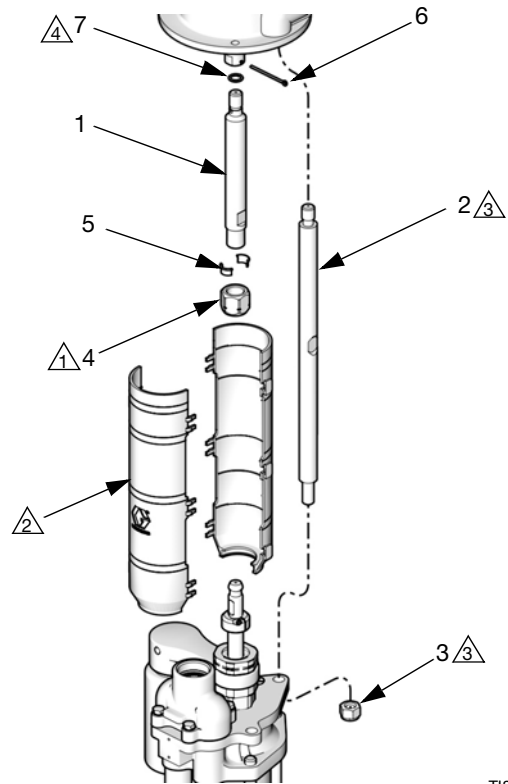
Connection Kit 24F065

Connects 4-Ball Lower with Open or Enclosed Wet Cup to Viscount I+ Hydraulic Motor

NOTE: See the **Connection Kit Usage Chart** on pages 3-5 to find the lowers and motors that use Connection Kit 24F065.

Parts List and Drawing

Ref.	Part.	Description	Qty
1	16C373	ADAPTER	1
2	15G924	TIE ROD	3
3	108683	NUT, lock, hex	3
4	17F000	NUT, coupling	1
5	184128	COLLAR, coupling	2
6	100579	PIN, cotter	1
7	156082	PACKING, o-ring, 112	1



- ① Torque to 90-100 ft-lb (122-135 N•m).
- ② Shield Kit is not included. See manual 406876 to order the correct shield kit for your pump.
- ③ Torque to 50-55 ft-lb (68-75 N•m).
- ④ Fill cavity with grease.

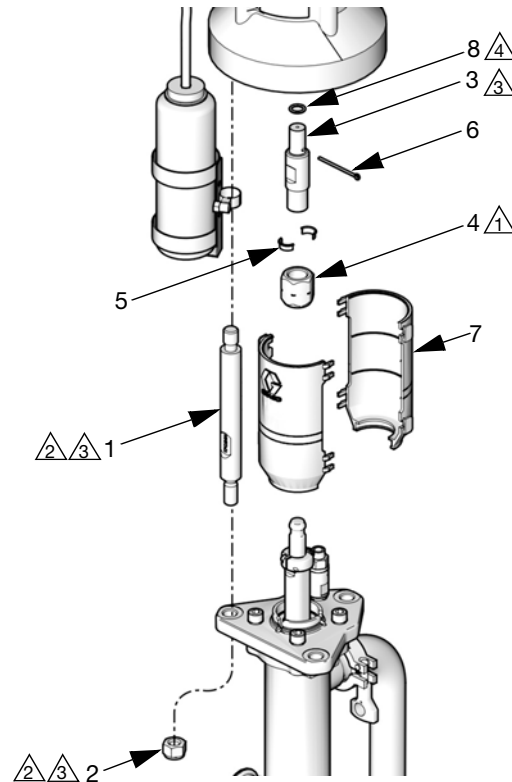
Connection Kit 17K519

Connects Sealed 4-Ball Lower to the Viscount I Hydraulic Motor

NOTE: See the **Connection Kit Usage Chart** on pages 3-5 to find the lowers and motors that use Connection Kit 17K519.

Parts List and Drawing

Ref.	Part.	Description	Qty
1	17C261	ROD, tie	3
2	108683	NUT, lock, hex	3
3	17E258	ADAPTER	1
4	17F000	NUT, coupling	1
5	184128	COLLAR, coupling	2
6	100103	PIN, cotter	1
7	24A640	KIT, SHIELD, coupling, includes 2	1
8	156082	PACKING, o-ring, 112	1



TI28144c

△1 Torque to 90-100 ft-lb (122-135 N•m).

△2 Torque to 50-60 ft-lb (68-81 N•m).

△3 Lubricate threads.

△4 Fill cavity with grease.

Viscount II Hydraulic Motor

Connection Kit 24J390

Connects 4-Ball Lower with Open or Enclosed Wet Cup to Viscount II Hydraulic Motor

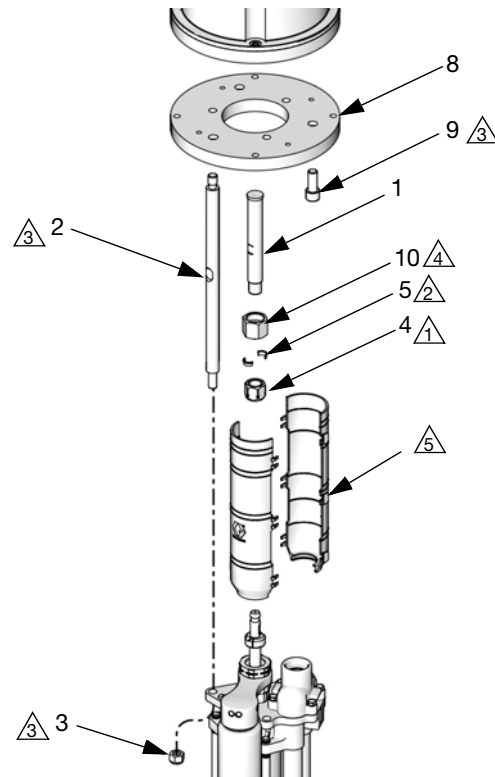
NOTE: See the **Connection Kit Usage Chart** on pages 3-5 to find the lowers and motors that use Connection Kit 24J390.

WARNING

Using a Viscount II hydraulic motor with a 750cc, 1000cc, or 1500cc lower could cause dangerous overpressurization.

Parts List and Drawing

Ref.	Part.	Description	Qty
1	15K736	ADAPTER	1
2	15G924	TIE ROD	3
3	108683	NUT, lock, hex	3
4	17F000	NUT, coupling	1
5	184128	COLLAR, coupling	2
8	120558	PLATE, mounting	1
9	C19789	SCREW, cap, socket hd	3
10	183079	NUT, adapter	1




TI16940c

- Torque to 90-100 ft-lb (122-135 N•m).
- Apply lubricant.
- Torque to 50-55 ft-lb (68-75 N•m).
- Torque to 75-80 ft-lb (102-109 N•m).
- Shield Kit is not included. See manual 406876 to order the correct shield kit for your pump.

Connection Kit 17K520

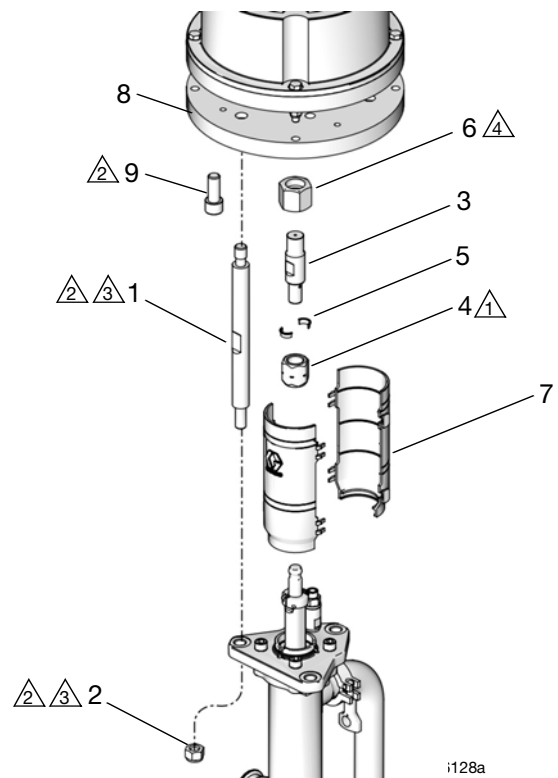
Connects Sealed 4-Ball Lower to the Viscount II Hydraulic Motor

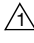

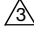
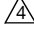
NOTE: See the **Connection Kit Usage Chart** on pages 3-5 to find the lowers and motors that use Connection Kit 17K520.

! WARNING	
	Using a Viscount II hydraulic motor with a 750cc, 1000cc, or 1500cc lower could cause dangerous overpressurization.

Parts List and Drawing

Ref.	Part.	Description	Qty
1	16H434	ROD, tie	3
2	108683	NUT, lock, hex	3
3	17E257	ADAPTER	1
4	17F000	NUT, coupling	1
5	184128	COLLAR, coupling	2
6	183079	NUT, adapter	1
7	24F251	KIT, SHIELD, coupling, includes 2	1
8	120558	PLATE, mounting	1
9	C19789	SCREW, cap	3



-  Torque to 90-100 ft-lb (122-135 N•m).
-  Torque to 50-55 ft-lb (68-75 N•m).
-  Lubricate threads.
-  Torque to 75-80 ft-lb (102-109 N•m).

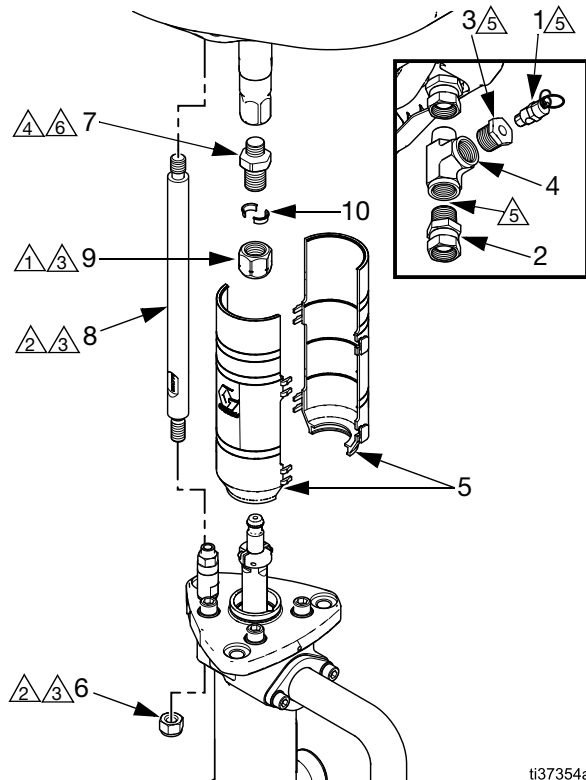
Connection Kit 17Z549

Connects Sealed 4-Ball Plus Lower to XL 3400, XL 6500, NXT 3400, NXT 6500 Motor

NOTE: See the **Connection Kit Usage Chart** on pages 3-5 to find the lowers and motors that use Connection Kit 17Z549.

Parts List and Drawing

Ref.	Part.	Description	Qty
1	116643	VALVE, safety, relief, air	1
2	157785	FITTING, swivel	1
3	100615	BUSHING, hex, steel	1
4	111337	FITTING, tee, street	1
5	16D776	KIT, SHIELD, coupling, includes 2	1
6	108683	NUT, lock, hex	3
7	15H369	ADAPTER, M22 x 1.5 in.	1
8	16X771	ROD, tie	1
9	17F000	NUT, coupler	1
10	184128	COLLAR, coupling	2



ti37354a

- ① Torque to 90-100 ft-lb (122-135 N•m).
- ② Torque to 50-55 ft-lb (68-75 N•m).
- ③ Lubricate threads.
- ④ Torque to 140-150 ft-lb (190-203 N•m).
- ⑤ Apply sealant to tapered pipe threads (Loctite 565).
- ⑥ Apply sealant (red Loctite 263).

California Proposition 65

CALIFORNIA RESIDENTS

 **WARNING:** Cancer and reproductive harm. – www.P65warnings.ca.gov.

Graco Standard Warranty

Graco warrants all equipment referenced in this document which is manufactured by Graco and bearing its name to be free from defects in material and workmanship on the date of sale to the original purchaser for use. With the exception of any special, extended, or limited warranty published by Graco, Graco will, for a period of twelve months from the date of sale, repair or replace any part of the equipment determined by Graco to be defective. This warranty applies only when the equipment is installed, operated and maintained in accordance with Graco's written recommendations.

This warranty does not cover, and Graco shall not be liable for general wear and tear, or any malfunction, damage or wear caused by faulty installation, misapplication, abrasion, corrosion, inadequate or improper maintenance, negligence, accident, tampering, or substitution of non-Graco component parts. Nor shall Graco be liable for malfunction, damage or wear caused by the incompatibility of Graco equipment with structures, accessories, equipment or materials not supplied by Graco, or the improper design, manufacture, installation, operation or maintenance of structures, accessories, equipment or materials not supplied by Graco.

This warranty is conditioned upon the prepaid return of the equipment claimed to be defective to an authorized Graco distributor for verification of the claimed defect. If the claimed defect is verified, Graco will repair or replace free of charge any defective parts. The equipment will be returned to the original purchaser transportation prepaid. If inspection of the equipment does not disclose any defect in material or workmanship, repairs will be made at a reasonable charge, which charges may include the costs of parts, labor, and transportation.

THIS WARRANTY IS EXCLUSIVE, AND IS IN LIEU OF ANY OTHER WARRANTIES, EXPRESS OR IMPLIED, INCLUDING BUT NOT LIMITED TO WARRANTY OF MERCHANTABILITY OR WARRANTY OF FITNESS FOR A PARTICULAR PURPOSE.

Graco's sole obligation and buyer's sole remedy for any breach of warranty shall be as set forth above. The buyer agrees that no other remedy (including, but not limited to, incidental or consequential damages for lost profits, lost sales, injury to person or property, or any other incidental or consequential loss) shall be available. Any action for breach of warranty must be brought within two (2) years of the date of sale.

GRACO MAKES NO WARRANTY, AND DISCLAIMS ALL IMPLIED WARRANTIES OF MERCHANTABILITY AND FITNESS FOR A PARTICULAR PURPOSE, IN CONNECTION WITH ACCESSORIES, EQUIPMENT, MATERIALS OR COMPONENTS SOLD BUT NOT MANUFACTURED BY GRACO. These items sold, but not manufactured by Graco (such as electric motors, switches, hose, etc.), are subject to the warranty, if any, of their manufacturer. Graco will provide purchaser with reasonable assistance in making any claim for breach of these warranties.

In no event will Graco be liable for indirect, incidental, special or consequential damages resulting from Graco supplying equipment hereunder, or the furnishing, performance, or use of any products or other goods sold hereto, whether due to a breach of contract, breach of warranty, the negligence of Graco, or otherwise.

FOR GRACO CANADA CUSTOMERS

The Parties acknowledge that they have required that the present document, as well as all documents, notices and legal proceedings entered into, given or instituted pursuant hereto or relating directly or indirectly hereto, be drawn up in English. Les parties reconnaissent avoir convenu que la rédaction du présente document sera en Anglais, ainsi que tous documents, avis et procédures judiciaires exécutés, donnés ou intentés, à la suite de ou en rapport, directement ou indirectement, avec les procédures concernées.

Graco Information

For the latest information about Graco products, visit www.graco.com.

For patent information, see www.graco.com/patents.

TO PLACE AN ORDER, contact your Graco distributor or call to identify the nearest distributor.

Phone: 612-623-6921 **or Toll Free:** 1-800-328-0211 **Fax:** 612-378-3505

*All written and visual data contained in this document reflects the latest product information available at the time of publication.
Graco reserves the right to make changes at any time without notice.*

Original instructions. This manual contains English. MM 311876

Graco Headquarters: Minneapolis

International Offices: Belgium, China, Japan, Korea

GRACO INC. AND SUBSIDIARIES • P.O. BOX 1441 • MINNEAPOLIS, MN 55440-1441 • USA

Copyright 2006, Graco Inc. All Graco manufacturing locations are registered to ISO 9001.

www.graco.com

Revision R, February 2022