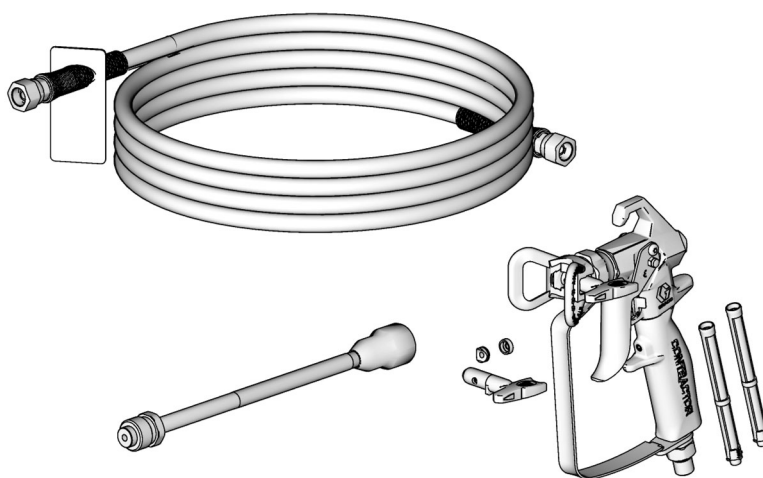


Kit, Gun, Hose (Contractor Fine Finish)

312014A

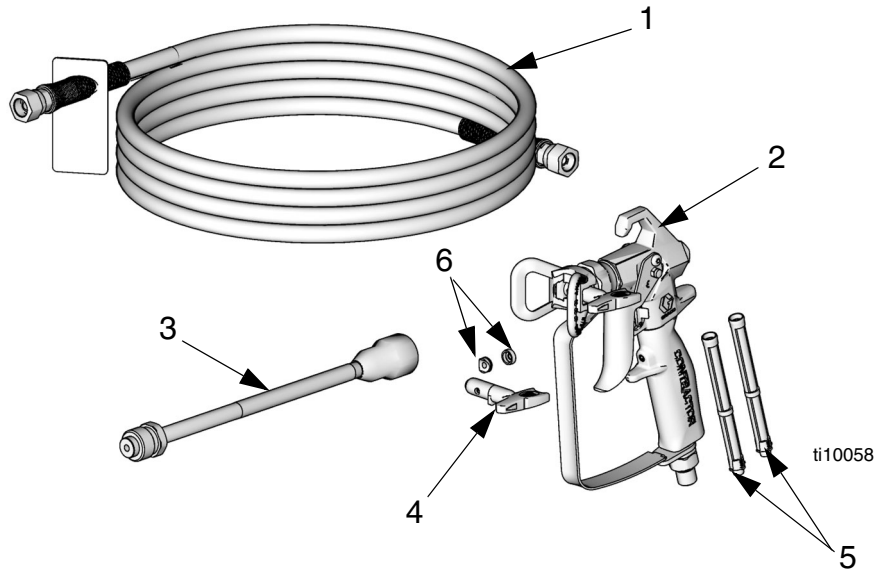
Part No. 288501



ti10058

Related Manuals:
311861

PROVEN QUALITY. LEADING TECHNOLOGY.



Kit, Gun, Hose (Contractor Fine Finish) 288501

Ref.

No.	Part No.	Description	Qty.
1	277291	HOSE, CPLD, 3/16 in. x 25 ft	1
2	288426	GUN, Contractor Fine Finish, FFT 210	1
3	287726	TIP, extension, 10 in.	1
4	FFT312	TIP, spray, FF, RAC X (312)	1
5	15B809	KIT, filter, gun, 100 mesh	2
6	248936	KIT, accessory, RAC X	1
8	222385	TAG, warning (not shown)	1

Graco Phone Number

TO PLACE AN ORDER, call **1-800-690-2984** to identify the nearest Graco distributor.

All written and visual data contained in this document reflects the latest product information available at the time of publication. Graco reserves the right to make changes at any time without notice.

MM 312014

Graco Headquarters: Minneapolis
International Offices: Belgium, China, Korea, Japan

GRACO INC. P.O. BOX 1441 MINNEAPOLIS, MN 55440-1441

<http://www.graco.com>

PRINTED IN U.S.A. 312014 04/2007