

## Control Board Kit for Tradeworks™ 150 and Tradeworks™ 170

313575B  
ENG

*This manual contains kit installation instructions only*




### Control Board Replacement Kit: 257562, 16F102



#### Important Safety Instructions

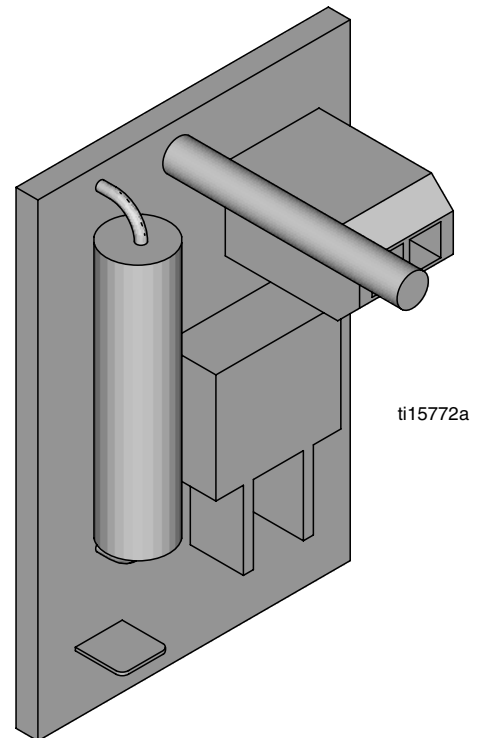
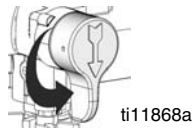
For detailed sprayer information and warnings, see Operation manual 313381 included with sprayer.

#### Pressure Relief Procedure

						
---	---	---	--	--	--	--

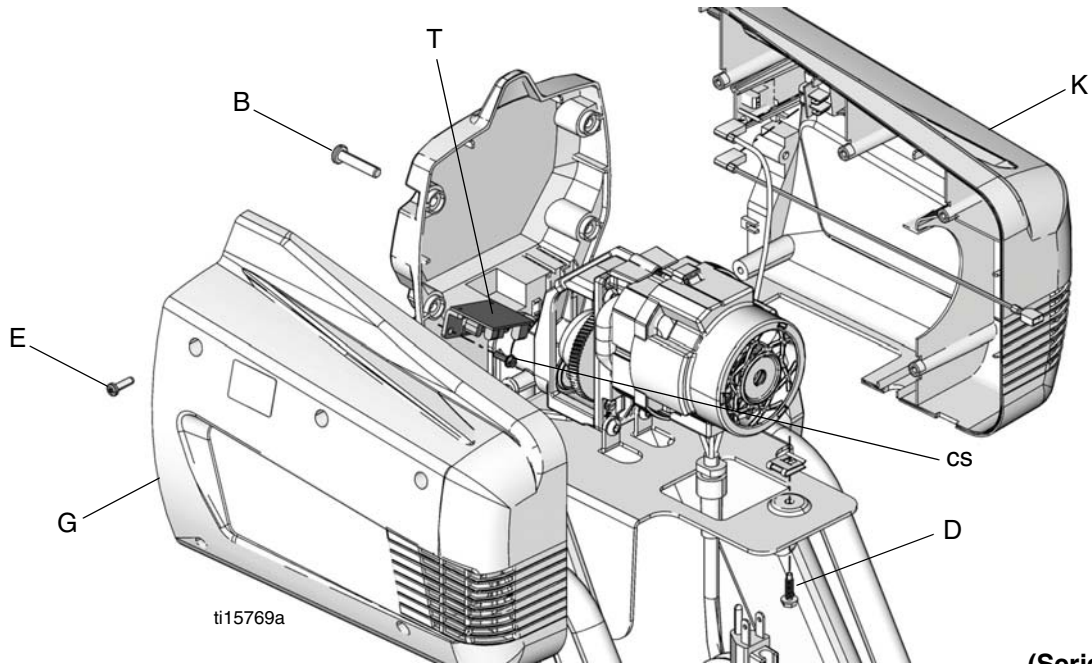
To help prevent injection injuries, follow this procedure when you stop spraying and before you service or clean the sprayer, remove parts, or repair leaks.

1. Turn Power switch OFF. Unplug sprayer.
2. Turn Spray/Prime valve to PRIME to relieve pressure. Turn pressure control knob left (counterclockwise) to minimize pressure.
3. Trigger gun.
4. Put trigger safety in safety ON position.  
**NOTE:** Leave Spray/Prime valve in PRIME position until you are ready to spray again.



*If you suspect that the spray tip or hose is completely clogged or that pressure has not been fully relieved after following the steps above, VERY SLOWLY loosen the tip guard retaining nut or hose end coupling to relieve pressure gradually. Then loosen it completely. Clear the tip or hose obstruction.*

# Control Board Replacement Kit 257562, 16F102



(Series A unit shown)

## Disassembly

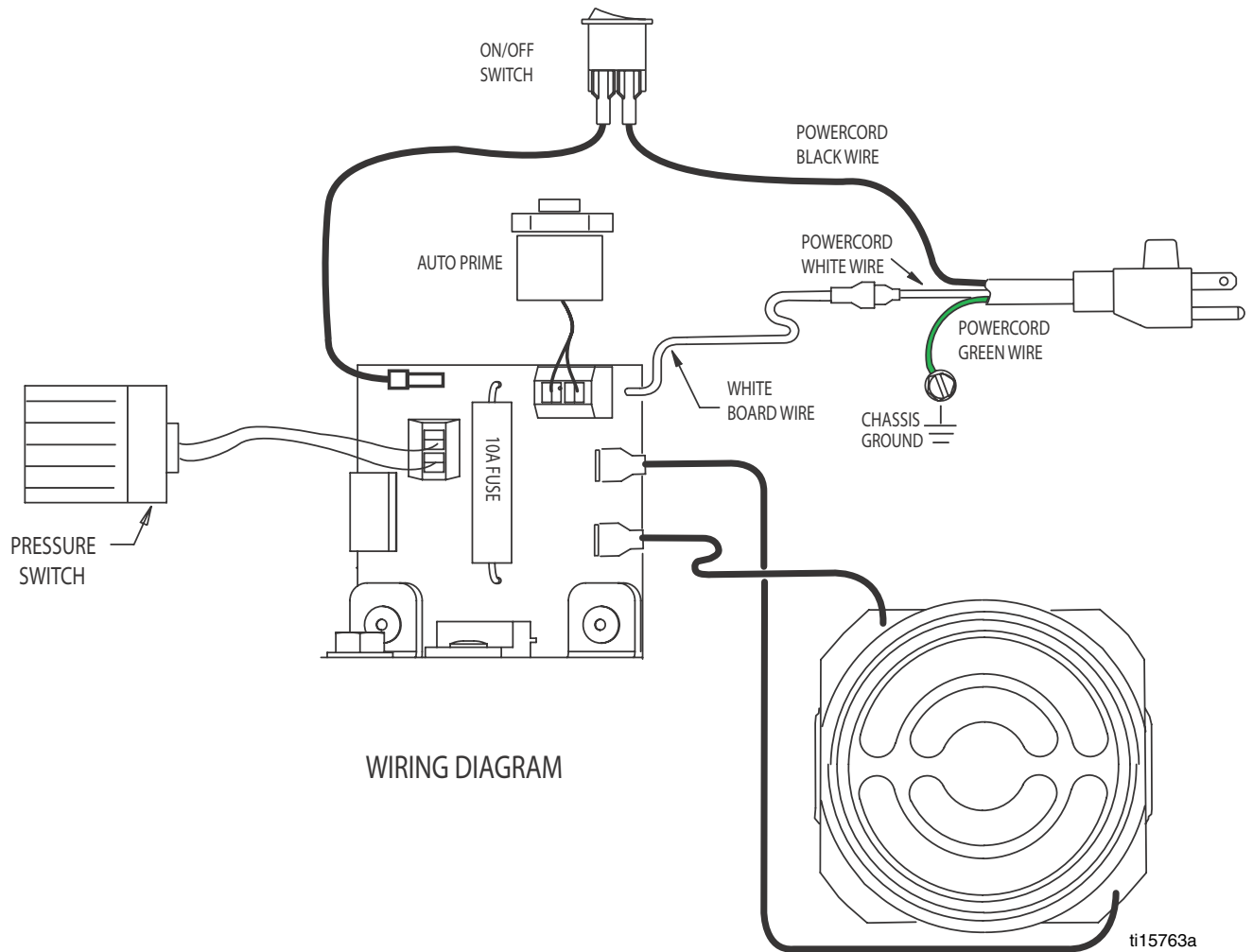
1. Unplug electrical cord and **Relieve Pressure** (see page 1 or Operation manual 313381).
2. **Tradeworks 170 Only:** Remove underside shroud mounting screw (D).
3. Remove 4 side shroud screws (E) (T-20 Torx).
4. Remove 4 front cover screws (B) (T-30 Torx).
5. Remove right shroud (G) and left shroud (K).
6. Disconnect all wire leads and connectors from control board (T).
7. **Series A:** Remove control board mounting screw (cs) and control board (T).
8. Remove control board (T).

## Assembly

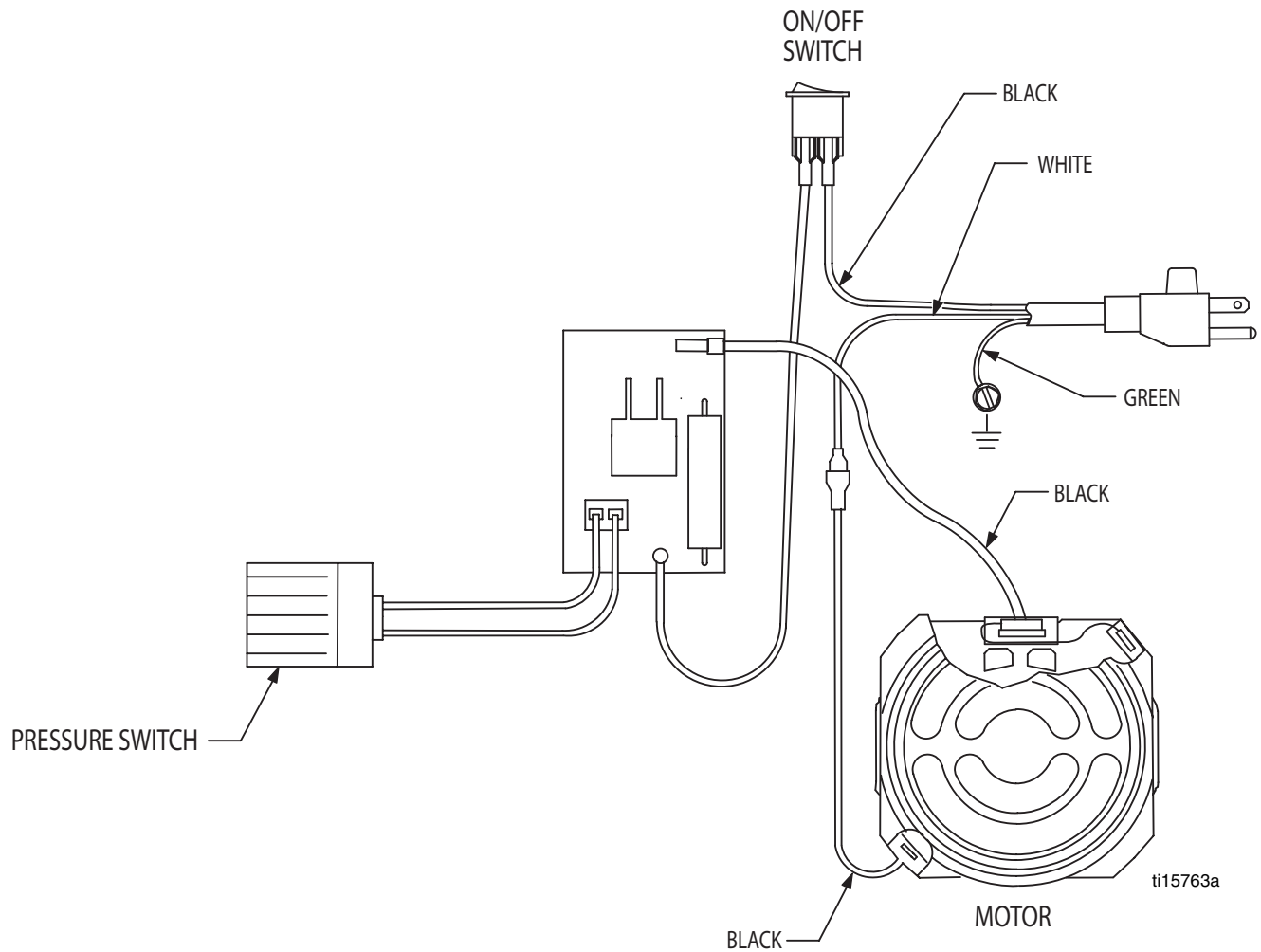
1. Reconnect all wire leads and connectors to control board (T) (see **Wiring Diagram** on page 3).
2. Install new control board (T). **Series A:** Use mounting screw (cs) and torque to 25 to 35 in-lbs (2.8 to 4.0 N•m).
3. Install power cord (N) into recess on left shroud (K).
4. Reassemble left shroud (K) and right shroud (G).
5. Install 4 side shroud screws (E) (T-20 Torx). Torque to 20 to 25 in-lbs (2.3 to 2.8 N•m).
6. Install 4 front cover screws (B) (T-30 Torx). Torque to 26 to 32 in-lbs (2.9 to 3.6 N•m).
7. **Tradeworks 170 Only:** Install underside shroud mounting screw (D). Torque to 20-35 in-lb (2.8-4.0 N•m).

# Wiring Diagram

## Tradeworks 150 and 170, Series A



## Tradeworks 150 and 170, Series B



*All written and visual data contained in this document reflects the latest product information available at the time of publication. Graco reserves the right to make changes at any time without notice.*

Original instructions. This manual contains English. MM 313575

**Graco Headquarters:** Minneapolis

**International Offices:** Belgium, China, Japan, Korea

**GRACO INC. P.O. BOX 1441 MINNEAPOLIS, MN 55440-1441**

**Copyright 2010, Graco Inc. is registered to ISO 9001**

www.graco.com  
08/2010