

FinishPro II 395/595 Airless/Air-Assisted Sprayer






333154D

EN

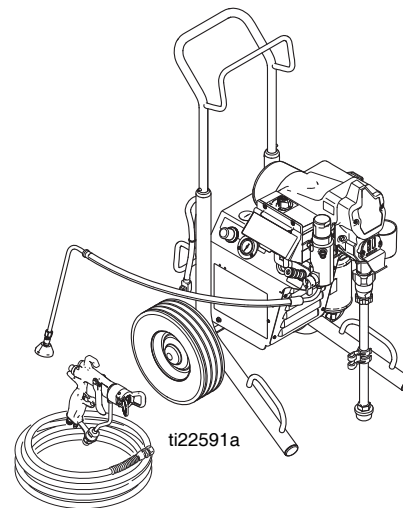
- For the application of architectural paint and coatings -

Maximum Working Pressure Airless Spraying: 3300 psi (227 bar, 22.7 MPa)

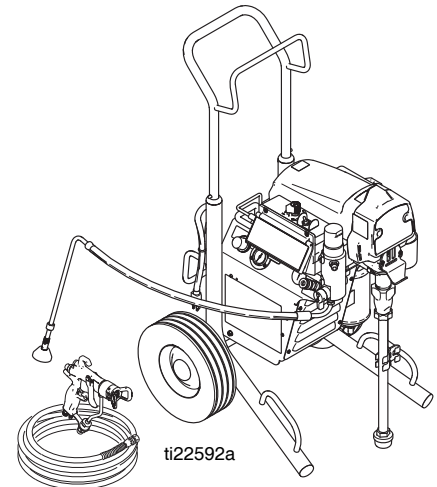
Models:

Region	FinishPro II 395	FinishPro II 595	
US	24U065	24U073	
Europe CEE 7/7	24U067	24U075	
Europe Multi Cord	24U069	24U077	
UK	24U070	-----	
Asia/Australia	24U071	24U074	

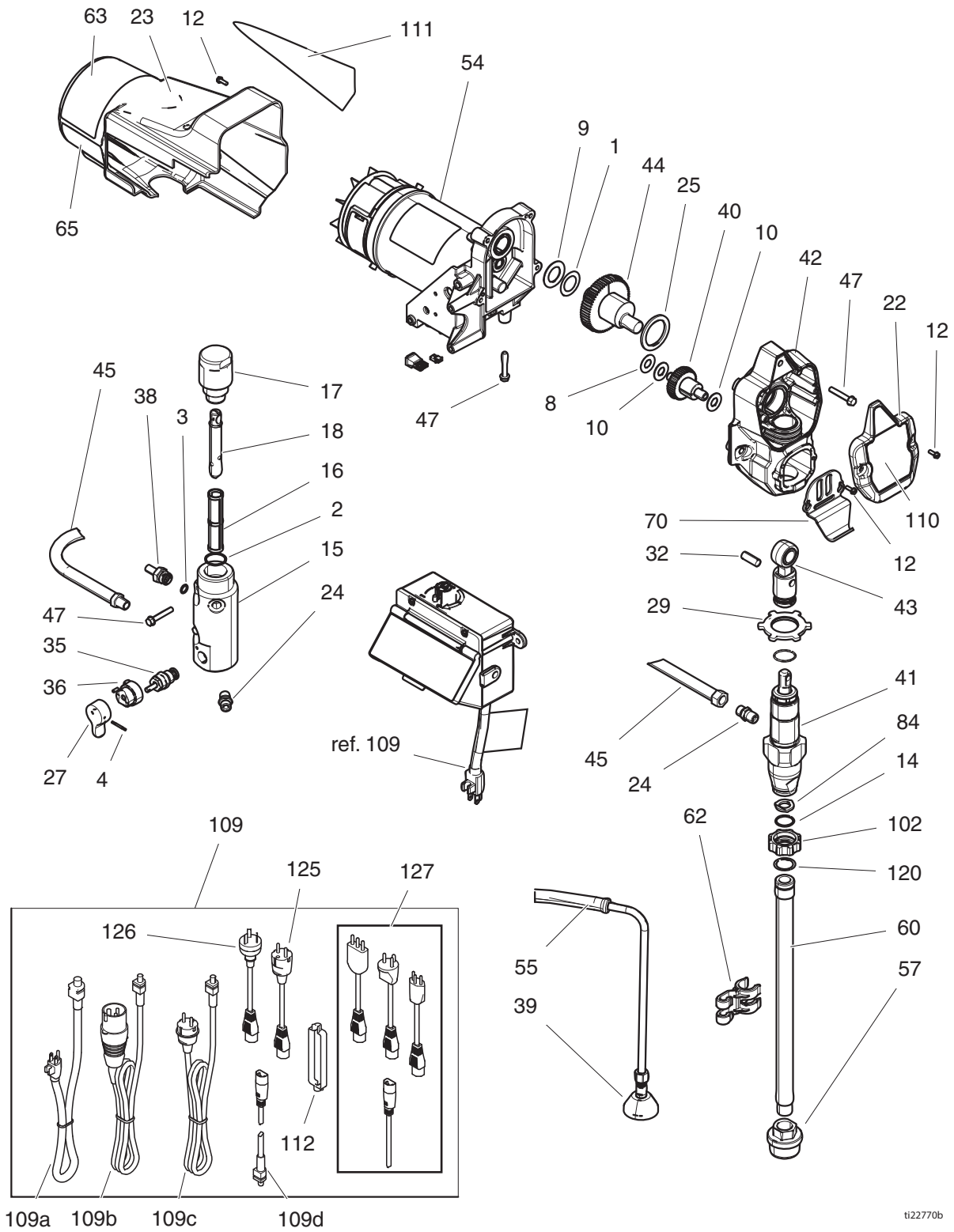
FinishPro II 395



FinishPro II 595



FinishPro II 395

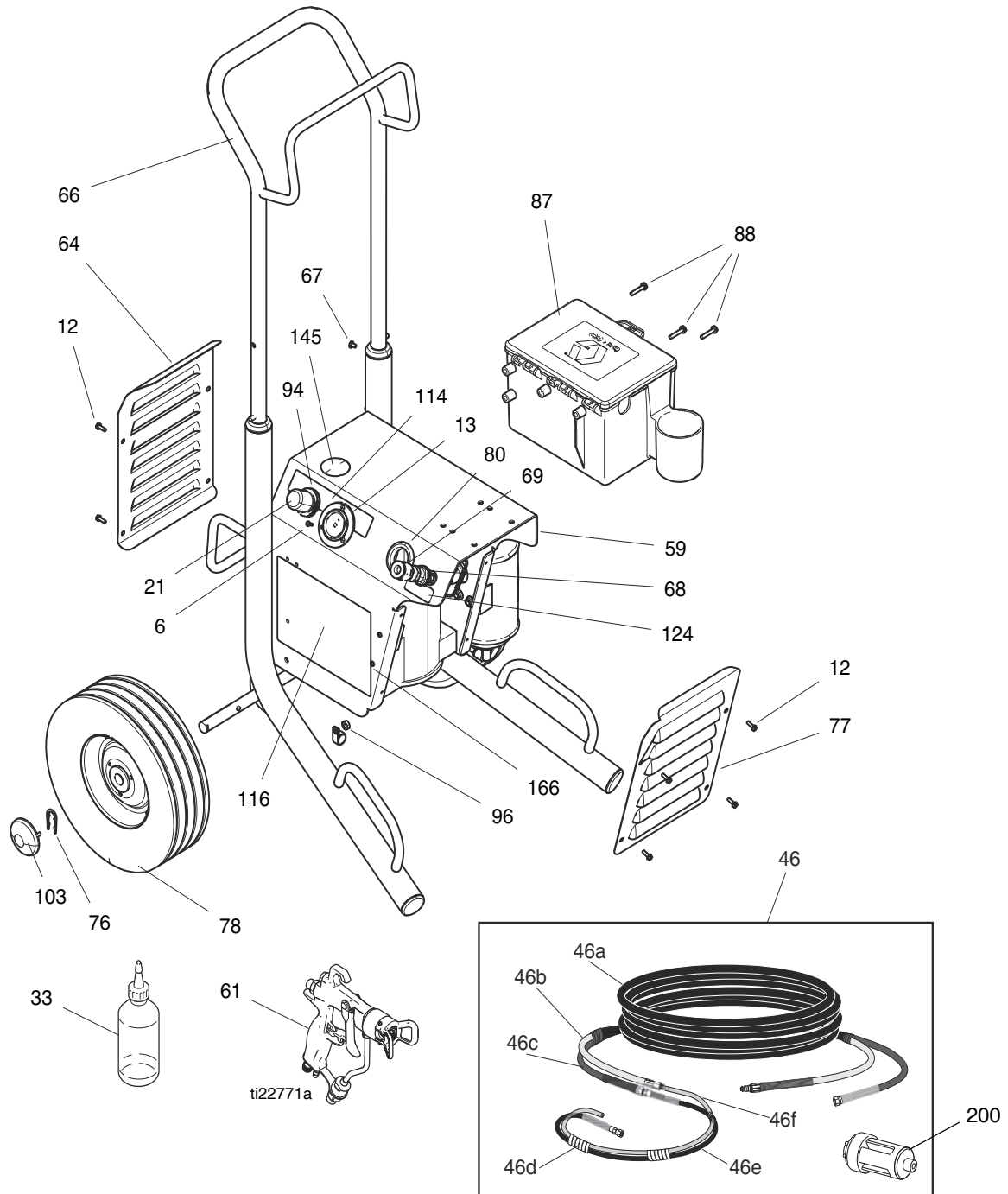


ti22770b

Parts List

Ref.	Part	Description	Qty.	Ref.	Part	Description	Qty.
1	107434	BEARING, thrust	1	54		MOTOR, 395	
2	117828	O-RING, ptfе encapsulated	1		288859	Models 24U065, 24U070	1
3	111457	PACKING, o-ring	1		287060	Models 24U067, 24U069, 24U070	1
4	111600	PIN, grooved	1	55	244240	HOSE, drain, Ultra hi-boy (includes 39)	1
8	116073	WASHER, thrust	1				
9	116074	WASHER, thrust	1	57	246385	STRAINER, 7/8-14 unf	1
10	116079	BEARING, thrust	2	60	246387	TUBE, suction (includes 14, 57, 102, 120)	1
12	117501	SCREW, mach, slot hex wash hd	18				
14	103413	PACKING, o-ring	1	62	276888	CLIP, drain line	1
15	15G455	MANIFOLD, fluid	1	63		LABEL, warning, fire/expl, skin	
16	246382	FILTER, fluid, 100 mesh	1		15B516	Model 24U065	1
17		CAP, filter	1		16G596	Models 24U067, 244069, 24U070	1
18	287902	INSERT, filter	1	65		LABEL, warning	
22	287058	COVER, front, Graco, paint	1		195793	Model 24U065	1
23	287056	SHIELD, motor, painted (includes 12, 63, 65)	1		195792	Model 24U071	1
24	162453	FITTING, 1/4 npsm x 1/4 npt	2	70	15C146	HOOK, pail	1
25	180131	BEARING, thrust	1	84	115099	WASHER, garden hose	1
27	187625	HANDLE, valve, drain	1	102	15E813	NUT, jam	1
29	195150	NUT, jam, pump	1	109		CORD, power	
32	196762	PIN, straight	1		15D029	Model 24U065	1
35	235014	VALVE, drain, Japan	1		15B469	Model 24U070	1
36	224807	BASE, valve	1		15B470	Model 24U067	1
38	243222	TRANSDUCER, pressure control (includes 3)	1		15B471	Models 24U069, 24U071	1
39	241920	DEFLECTOR, threaded	1	110	16X344	LABEL, brand, front, FinishPro 395	1
40	287057	GEAR, reducer (first stage) (includes 8, 10)	1	111	16X343	LABEL, brand, side, FinishPro 395	1
41	246428	PUMP, displacement, st	1	112	195551	RETAINER, plug, adapter	1
42	287055	HOUSING, drive (includes 12, 47)	1	120	15B652	WASHER, suction	1
43	287053	ROD, connecting	1	125	242001	CORD SET, adapter, Europe (Models 24U069, 24U071)	1
44	287054	GEAR, crankshaft	1	126	242005	CORD SET, adapter, Australia (Model 24U071)	1
45	287003	HOSE, cpld	1	127	287121	CORD SET, Italy, Denmark, Switzerland (Model 24U069)	1
47	117493	SCREW, mach, hex washer HD	12	?	196750	SPRING, retaining	1

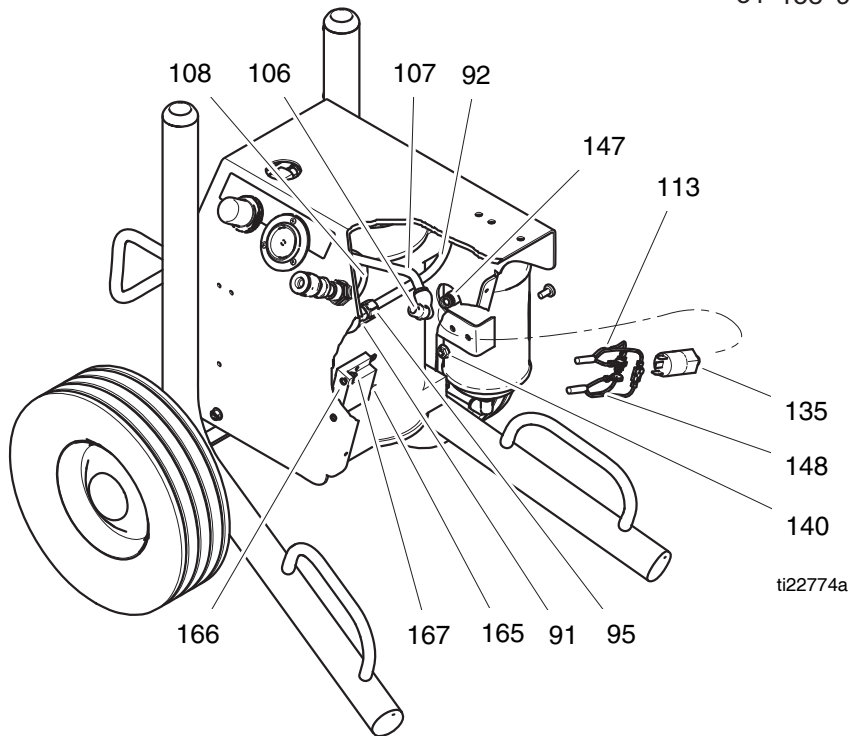
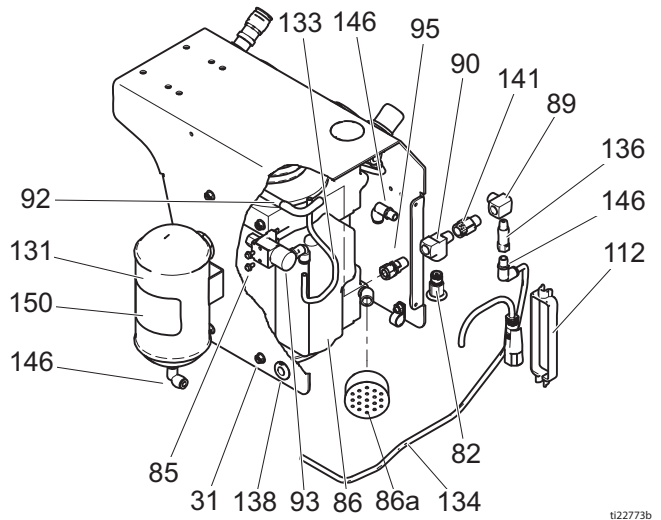
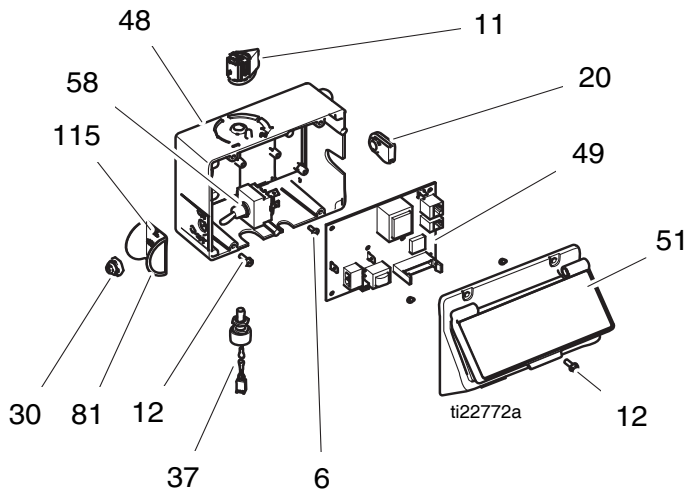
FinishPro II 395



Parts List

Ref.	Part	Description	Qty.	Ref.	Part	Description	Qty.
6	115494	SCREW, mach, phillips pan hd	9	59	24U249	FRAME, cart, hi, AA	1
12	117501	SCREW, mach, slot hex wash hd	18	61		GUN, assy, AA G40	
13	120643	GAUGE, pressure, panel mount, 1.5	1		262929	Models 24U065, 24U071	1
21	127330	REGULATOR, air, 1/4 in. npt	1		262932	Models 24U067, 24U069, 24U070	1
26		CLAMP, wire	1	64	15K053	PLATE, rear, painted	1
33	238049	FLUID, TSL, 4 oz	1	66	287489	HANDLE, assy, hi cart	1
46	24U578	3300 psi hose set, Models 24U067, 24U068, 24U070 (includes 46a, 46b, 46c, 46d, 46e,46f)	1	67	109032	SCREW, mach, pnh	4
46a	278763	HOSE, cpld, 1/4 x 25ft	1	68	104641	FITTING, bulkhead	1
	16X211	COVER, flex	1	76	15B999	CLIP, retaining	2
	16X398	HOSE, air, 25ft	1	77	15K052	PLATE, front, painted	1
46d	15X843	SLEEVE, wrap, spiral	3	78	106062	WHEEL, semi pneumatic	2
	278750	HOSE, nylon, fluid, 6ft	1	80	120685	GROMMET	1
	278751	HOSE, whip, air	1	87	287253	TOOL BOX (includes 88)	1
46	24U579	3300 psi hose set, Models 24U065, 24U071 (includes 46a, 46b, 46c, 46d, 46e,46f)	1	88	118852	SCREW, thd forming, hex washer hd	3
46a	278764	HOSE, cpld, 1/4 x 50ft	1	94	15K040	NUT, regulator, metal	1
	16X453	COVER, flex, 60ft	1	96	100015	NUT, hex mscr	1
	16X433	HOSE, air, 50ft	1	103	104811	CAP, hub	2
46d	15X843	SLEEVE, wrap, spiral	3	114	15K468	LABEL, AA, regulator/gauge	1
	278750	HOSE, nylon, fluid, 6ft	1	116	15K465	LABEL (Models 24U065, 24U071)	1
	278751	HOSE, whip, air	1	124	290228	LABEL, caution	1
				145	111909	PLUG, button	1
				200	24U981	KIT, inline desiccant (5 pack)	
					24U982	KIT, inline desiccant (25 pack)	

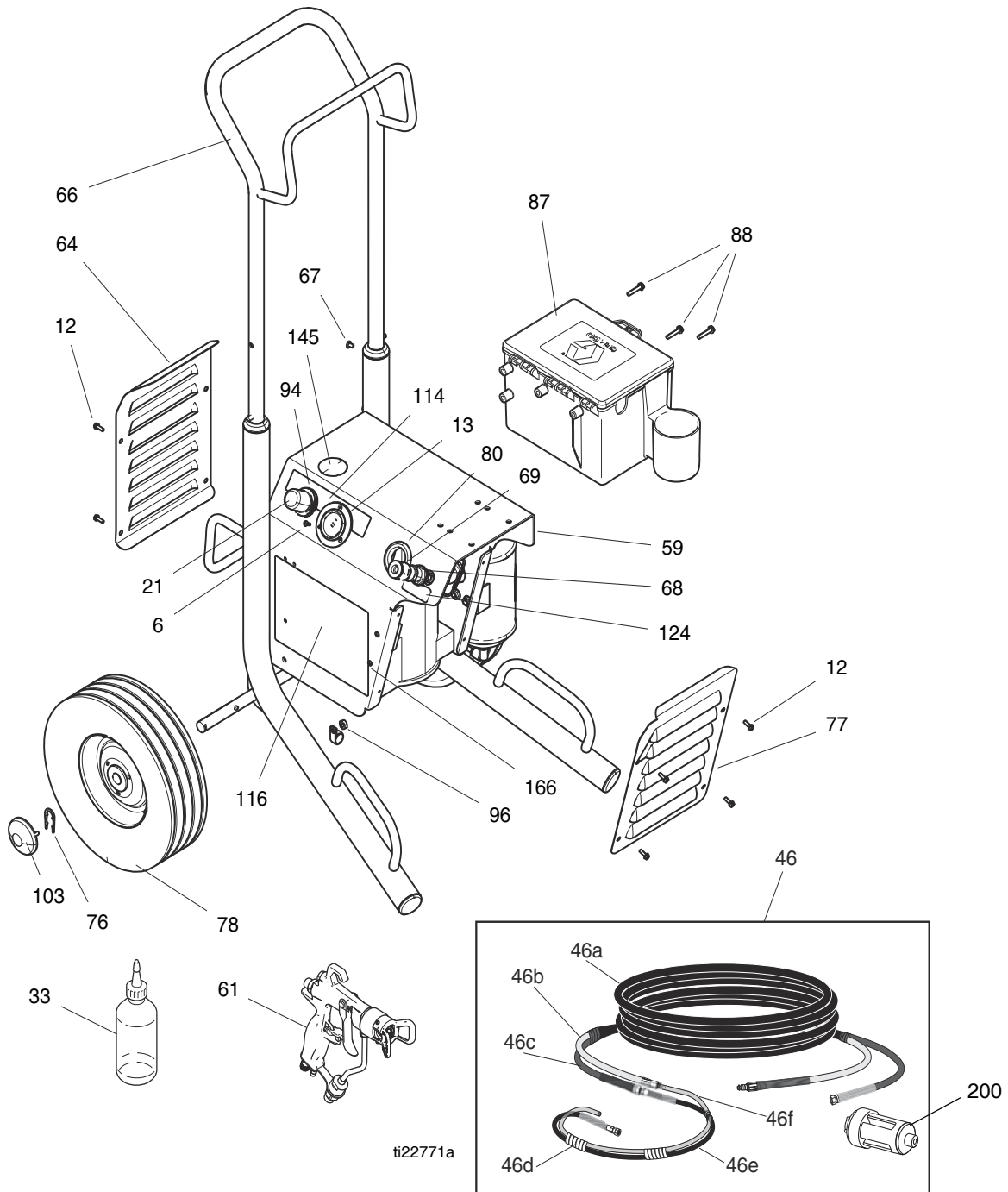
FinishPro II 395 Compressor



Parts List

Ref.	Part	Description	Qty.	Ref.	Part	Description	Qty.
6	115494	SCREW, mach, phillips pan hd	9	93		SOLENOID, 2 way, norm open	1
11	116167	KNOB, potentiometer	1	16X399	Model 24U065, 24U070		1
12	117501	SCREW, mach, slot hex wash hd	18	16X526	Model 24U067, 24U069, 24U071		1
20	15B120	GROMMET, transducer	1	95	120732	FITTING, compression, male connect	2
30	195428	BOOT, toggle	1	106	120753	FITTING, push to connect elbow	1
31	117633	SCREW, slot hex wash hd	5	107	16X512	TUBE, air	1
37	256219	POTENTIOMETR, assembly	1	108	15B822	TUBE, air	2
48		CONTROL BOX, machined		112	195551	RETAINER, plug, adapter	1
	15J469	Model 24U065	1	113	16X530	CORD, pwr, comp. female end	1
	15M176	Model 24U067, 24U069, 24U070, 24U071	1	115	15K470	LABEL, switch, AA, 395	1
49		CONTROL BOARD		131	16X915	TANK, painted	1
	288840	Model 24U065	1	133	16X477	HOSE, air	1
	288842	Model 24U067, 24U069, 24U071	1	134	16X478	HOSE, air	1
	288843	Model 24U070	1	135	127343	SWITCH, pressure	1
51	287098	KIT, accessory, display	1	136	127339	VALVE, check, 1/8 in. mnpt x fnpt	1
58	120544	SWITCH, toggle	1	138	801012	GROMMET	1
81	15J988	PLATE, switch	1	140	115942	NUT, hex, flange head	2
82	122703	VALVE, pressure, relief	1	141	127340	VALVE, check, 1/4 in. mnpt x fnpt	1
85	109575	SCREW, threadforming, hexhead	2	146	597151	FITTING, elbow	3
86		AIR COMPRESSOR (includes 86a)		147	113630	ELBOW, street 45 degree 1/8 npt	1
	288720	Models 24U065, 24U070	1	148	16X827	CORD, compress/control board	1
	288722	Models 24U067, 24U069, 24U071	1	150	16X906	LABEL, brand, smartcomp	1
86a	288724	KIT, compressor, filter	1	165		TIMER, solid state 120V	
89	127341	FITTING, brass, elbow	1		16Y436	Models 24U065, 24U070	1
90	15K299	FITTING, tee, street, modified	1		16Y437	Models 24U067, 24U069, 24U071	1
91	187357	ELBOW, street	1	166	125483	SCREW, mach, pnh, sems, phillips	2
92	16X397	TUBE, heat exchange, 395/595	1	167	C19862	NUT, lock, hex	2

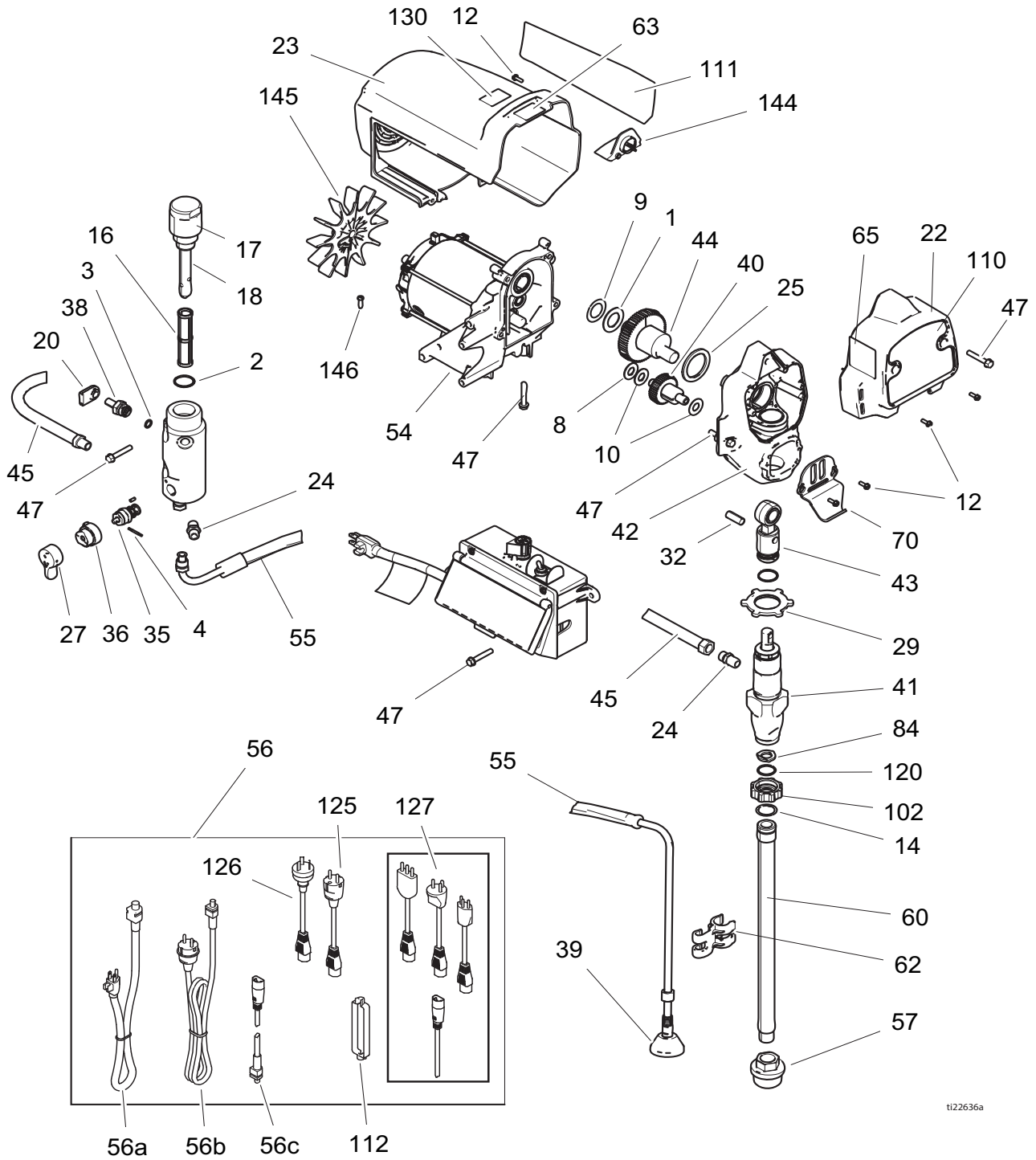
FinishPro II 595



Parts List

Ref.	Part	Description	Qty.	Ref.	Part	Description	Qty.
6	115494	SCREW, mach, phillips pan hd	9	66	287489	HANDLE, assy, hi cart	1
12	117501	SCREW, mach, slot hex wash hd	18	67	109032	SCREW, mach, pnh	4
13	120643	GAUGE, pressure, panel mount, 1.5	1	68	104641	FITTING, bulkhead	1
21	127330	REGULATOR, air, 1/4 in. npt	1	76	15B999	CLIP, retaining	2
26		CLAMP, wire	1	77	15K052	PLATE, front, painted	1
33	238049	FLUID, TSL, 4 oz	1	78	106062	WHEEL, semi pneumatic	2
46	24U579	3300 psi hose set, 50 ft	1	80	120685	GROMMET	1
46a	278764	HOSE, cpld, 1/4 x 50ft	1	87	287253	TOOL BOX (includes 88)	1
	16X453	COVER, flex, 60ft	1	88	118852	SCREW, thd forming, hex washer hd	3
	16X433	HOSE, air, 50ft	1	94	15K040	NUT, regulator, metal	1
46d	15X843	SLEEVE, wrap, spiral	3	96	100015	NUT, hex mscr	1
	278750	HOSE, nylon, fluid, 6ft	1	103	104811	CAP, hub	2
	278751	HOSE, whip, air	1	114	15K468	LABEL, AA, regulator/gauge	1
59	24U249	FRAME, cart, hi, AA	1	116	15K465	LABEL	1
61		GUN, assy, AA G40	1	124	290228	LABEL, caution	1
	262929	Models 24U073, 24U077	1	145	111909	PLUG, button	1
	262932	Models 24U074, 24U075, 24U070	1	200	24U981	KIT, inline desiccant (5 pack)	
64	15K053	PLATE, rear, painted	1		24U982	KIT, inline desiccant (25 pack)	

FinishPro II 595

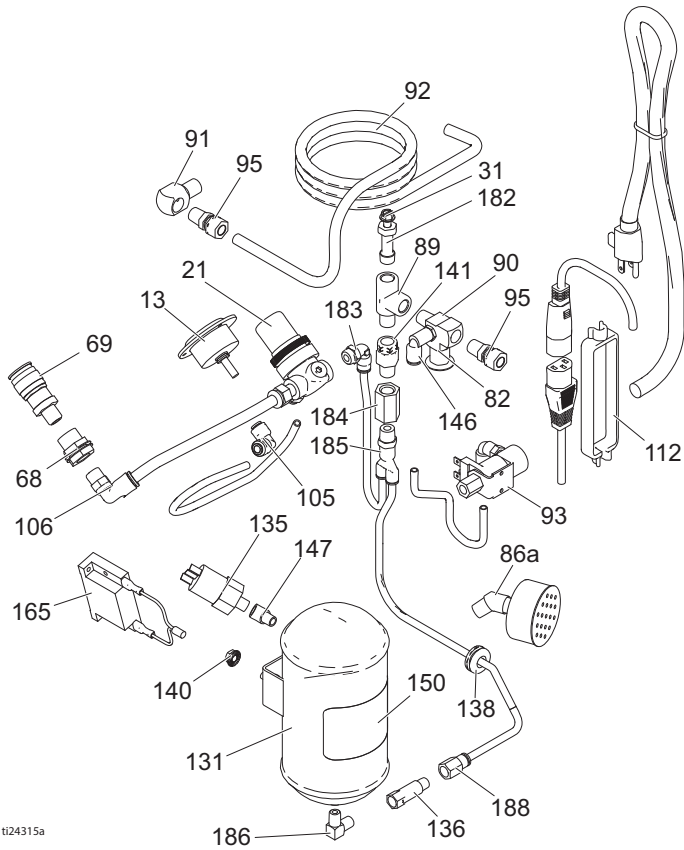
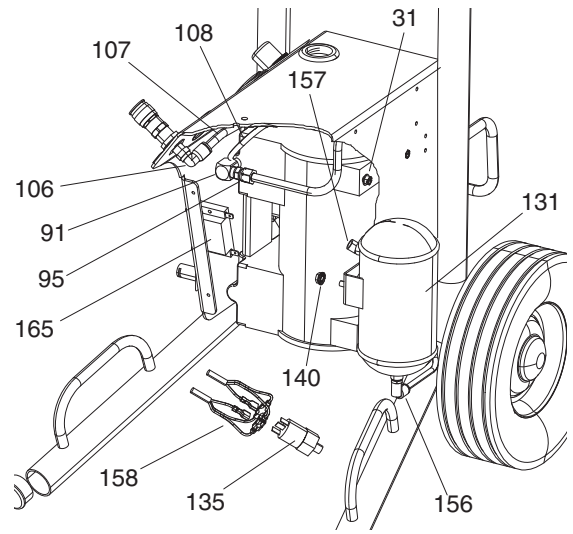
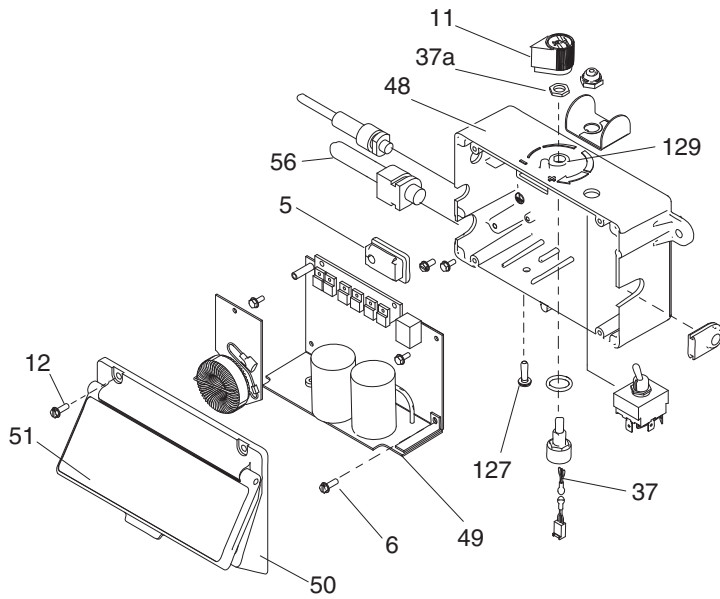


t122636a

Parts List

Ref.	Part	Description	Qty.	Ref.	Part	Description	Qty.
1	107434	BEARING, thrust	1	47	117493	SCREW, mach, hex washer hd	12
2	118133	O-RING, ptfе encapsulated	1	54	287807	MOTOR, 595 (includes 145, 146)	1
3	111457	PACKING, o-ring	1	55	244240	HOSE, drain, ultra hi-boy (includes 39)	1
4	111600	PIN, grooved	1	56		CORD, power	
8	116073	WASHER, thrust	1		15H064	Model 24U073	1
9	116074	WASHER, thrust	1		16X841	Model 24U075	1
10	116079	BEARING, thrust	2		16X842	Models 24U074, 24U077	1
12	117501	SCREW, mach, slot hex wash hd	18	57	246385	STRAINER, 7/8-14 unf	1
14	103413	PACKING, o-ring	1	60	246387	TUBE, suction (includes 14, 57, 102, 120)	1
16	246382	FILTER, fluid, 100 mesh	1	62	276888	CLIP, drain line	1
17	287902	CAP, filter, kit (includes 18)	1	63▲		LABEL, warning	
18		INSERT, filter	1		16G596	Models 24U075, 24U077	1
20	15B120	GROMMET, transducer	1	65▲		LABEL, warning	
22	287901	COVER, front, painted (includes 12, 65)	1		195793	Model 24U073	1
23	287900	SHIELD, motor, painted (includes 12)	1		195792	Model 24U074	1
24	162453	FITTING, (1/4 npsm x 1/4 npt)	2	70	15C146	HOOK, pail	1
25	180131	BEARING, thrust	1	84	115099	WASHER, garden hose	1
27	187625	HANDLE, valve, drain	1	102	15E813	NUT, jam	1
29	195150	NUT, jam, pump	1	110	16X341	LABEL, brand, front, FinishPro 595	1
32	196762	PIN, straight	1	111	16X342	LABEL, brand, side, FinishPro 595	1
35	239913	VALVE, drain, Japan	1	112	195551	RETAINER, plug, adapter	1
36	224807	BASE, valve	1	120	15B652	WASHER, suction	1
38	243222	TRANSDUCER, pressure control (includes 53)	1	125	242001	ADAPTER, Euro (Models 24U074, 24U077)	1
39	241920	DEFLECTOR, threaded	1	126	242005	ADAPTER, Australia (Models 24U074, 24U075)	1
40	248231	GEAR, reducer (first stage) (includes 8, 10)	1	127	287121	ADAPTER, Italy, Denmark (Model 24U077)	1
41	246428	PUMP, displacement, st	1	144	15G447	PLUG, shield, painted	1
42	287899	HOUSING, drive (includes 12, 47)	1	145	15D088	FAN, motor	1
43	287053	ROD, connecting	1	146	115477	SCREW, mach, torx pan hd	1
44	248231	CRANK, 595 (includes 1, 9, 25)	1	?	196750	SPRING, retaining	1
45	287003	HOSE, cpld	1				

FinishPro II 595



t124315a

Parts List

Ref.	Part	Description	Qty.	Ref.	Part	Description	Qty.
6	115494	SCREW, mach, phillips pan hd	3	105	120653	FITTING, push to connect, 90	1
12	117501	SCREW, mach, slot hex wash hd	18	106	120753	FITTING, push to connect elbow	1
20	15B120	GROMMET	1	107	16X512	TUBE, air	1
26	113491	CLAMP, wire	1	108	15B822	TUBE, air	3
30	195428	TOGGLE BOOT	1	112	195551	RETAINER, plug, adapter	1
31	117633	SCREW, slot hex wash hd	6	113	16X530	CORD, power	1
37	256219	POTENTIOMETER, assembly	1	131	16X915	TANK, painted	1
48		CONTROL BOX, machined		133	16X477	HOSE, air	1
	16X174	Model 24U073	1	134	16X478	HOSE, air	1
	16X175	Models 24U074, 24U075, 24U077	1	135	127343	SWITCH, pressure	1
49		CONTROL BOARD	1	136	127339	VALVE, check, 1/8 in. mnpt x fnpt	1
	24V190	Model 24U073		139	104172	FITTING, 1/8 npt x 1/4 tube	2
	24V191	Models 24U074, 24U075, 24U077		140	115942	NUT, hex, flange head	2
50	287904	KIT, repair display	1	141	127340	VALVE, check, 1/4 in. mnpt x fnpt	1
56		CORD to Control Board		150	16X906	LABEL, smart comp	1
	15H064	Model 24U073	1	156	597151	FITTING, elbow	2
	16X846	Models 24U074, 24U075, 24U077	1	157	113630	ELBOW, street 45 degree 1/8 npt	2
58		TOGGLE SWITCH	1	158	16X827	CORD, compress/control board	1
	120544	Model 24U073		165		TIMER	
	120844	Models 24U074, 24U075, 24U077			16Y436	Model 24U073	1
82	122703	VALVE, pressure relief	1		16Y437	Model 24U074, 24U075, 24U077	1
85	109575	SCREW, threadforming, hexhead	2	182	17B227	FITTING, stand-off	1
86		COMPRESSOR		183	114109	FITTING, elbow, male, swivel	1
	288720	Model 24U073	1	184	113093	CONNECTOR, pipe	1
	288722	Models 24U074, 24U075, 24U077	1	185	127716	CONNECTOR, Y male, push to connect	1
86a	288724	KIT, filter repair	1	186	114320	FITTING, connector, female, 1/8NPT	1
89	106228	FITTING, tee, street	1	188	110207	ELBOW, pipe	1
90	15K299	FITTING, tee, street, modification	1	210	16X642	BRACKET, switch	1
91	187357	ELBOW, street	1	220		CONTROL BOX, complete (includes 5, 6, 11, 20, 30, 37, 37a, 48, 49, 58, 127).	1
92	16X397	TUBE, heat exchange, 395/595	1		24V192	Model 24U073	
93		SOLENOID, 2 way, norm open			24V193	Models 24U074, 24U075, 24U077	
	16X399	Model 24U073	1				
	16X526	Models 24U074, 24U075, 24U077	1				
95	120732	FITTING, compression, male connect	2				

Graco Standard Warranty

Graco warrants all equipment referenced in this document which is manufactured by Graco and bearing its name to be free from defects in material and workmanship on the date of sale to the original purchaser for use. With the exception of any special, extended, or limited warranty published by Graco, Graco will, for a period of twelve months from the date of sale, repair or replace any part of the equipment determined by Graco to be defective. This warranty applies only when the equipment is installed, operated and maintained in accordance with Graco's written recommendations.

This warranty does not cover, and Graco shall not be liable for general wear and tear, or any malfunction, damage or wear caused by faulty installation, misapplication, abrasion, corrosion, inadequate or improper maintenance, negligence, accident, tampering, or substitution of non-Graco component parts. Nor shall Graco be liable for malfunction, damage or wear caused by the incompatibility of Graco equipment with structures, accessories, equipment or materials not supplied by Graco, or the improper design, manufacture, installation, operation or maintenance of structures, accessories, equipment or materials not supplied by Graco.

This warranty is conditioned upon the prepaid return of the equipment claimed to be defective to an authorized Graco distributor for verification of the claimed defect. If the claimed defect is verified, Graco will repair or replace free of charge any defective parts. The equipment will be returned to the original purchaser transportation prepaid. If inspection of the equipment does not disclose any defect in material or workmanship, repairs will be made at a reasonable charge, which charges may include the costs of parts, labor, and transportation.

THIS WARRANTY IS EXCLUSIVE, AND IS IN LIEU OF ANY OTHER WARRANTIES, EXPRESS OR IMPLIED, INCLUDING BUT NOT LIMITED TO WARRANTY OF MERCHANTABILITY OR WARRANTY OF FITNESS FOR A PARTICULAR PURPOSE.

Graco's sole obligation and buyer's sole remedy for any breach of warranty shall be as set forth above. The buyer agrees that no other remedy (including, but not limited to, incidental or consequential damages for lost profits, lost sales, injury to person or property, or any other incidental or consequential loss) shall be available. Any action for breach of warranty must be brought within two (2) years of the date of sale.

GRACO MAKES NO WARRANTY, AND DISCLAIMS ALL IMPLIED WARRANTIES OF MERCHANTABILITY AND FITNESS FOR A PARTICULAR PURPOSE, IN CONNECTION WITH ACCESSORIES, EQUIPMENT, MATERIALS OR COMPONENTS SOLD BUT NOT MANUFACTURED BY GRACO. These items sold, but not manufactured by Graco (such as electric motors, switches, hose, etc.), are subject to the warranty, if any, of their manufacturer. Graco will provide purchaser with reasonable assistance in making any claim for breach of these warranties.

In no event will Graco be liable for indirect, incidental, special or consequential damages resulting from Graco supplying equipment hereunder, or the furnishing, performance, or use of any products or other goods sold hereto, whether due to a breach of contract, breach of warranty, the negligence of Graco, or otherwise.

FOR GRACO CANADA CUSTOMERS

The Parties acknowledge that they have required that the present document, as well as all documents, notices and legal proceedings entered into, given or instituted pursuant hereto or relating directly or indirectly hereto, be drawn up in English. Les parties reconnaissent avoir convenu que la rédaction du présente document sera en Anglais, ainsi que tous documents, avis et procédures judiciaires exécutés, donnés ou intentés, à la suite de ou en rapport, directement ou indirectement, avec les procédures concernées.

Graco Information

For the latest information about Graco products, visit www.graco.com.

For patent information, see www.graco.com/patents.

TO PLACE AN ORDER, contact your Graco distributor or call to identify the nearest distributor.

*All written and visual data contained in this document reflects the latest product information available at the time of publication.
Graco reserves the right to make changes at any time without notice.*

Original instructions. This manual contains English. MM 333154

Graco Headquarters: Minneapolis

International Offices: Belgium, China, Japan, Korea

GRACO INC. AND SUBSIDIARIES • P.O. BOX 1441 • MINNEAPOLIS MN 55440-1441 • USA

Copyright 2014, Graco Inc. All Graco manufacturing locations are registered to ISO 9001.

www.graco.com

Revision D, July 2018