

Fluid Pressure Relief Valve Repair Kit

334560B

EN

For replacing the seals of the discharge valve found on the InvisiPac™ Tank-Free™ Hot Melt Delivery System.

Not approved for use in explosive atmospheres or hazardous locations.



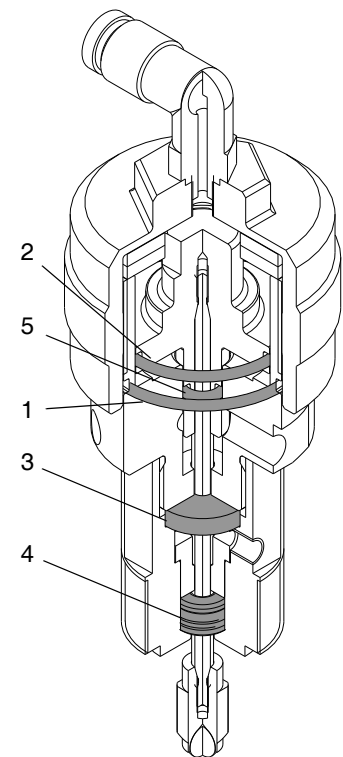
Important Safety Instructions

Read all warnings and instructions in this manual and in the InvisiPac HM50 Tank-Free Hot Melt Delivery System, Instructions-Parts manual. Save all instructions.

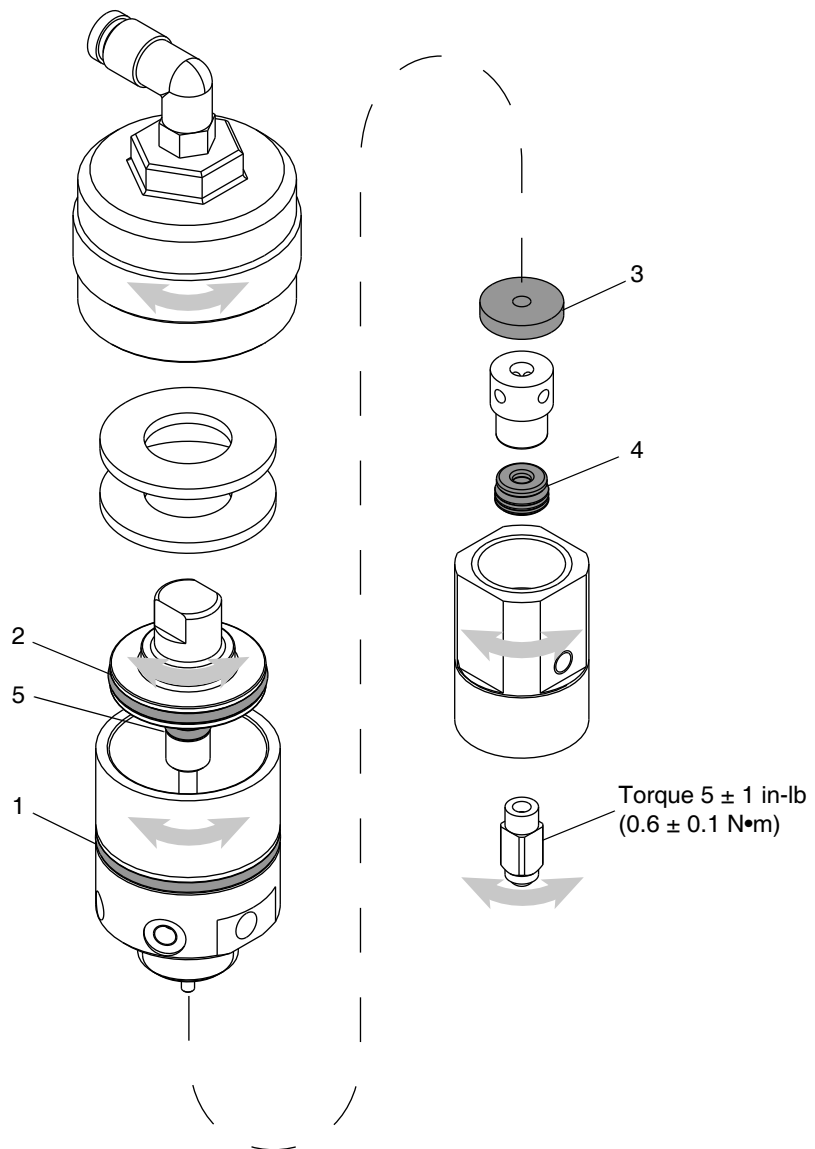
Kit 24P857

Ref	Part	Description	Qty
1	108771	PACKING, o-ring	1
2	110073	PACKING, o-ring	1
3	---	BEARING, valve	1
4	---	SEAL, u-cup, relief valve	1
5	---	O-RING, FKM	1

--- Not for sale.



NOTE: Lubricate all o-rings, seals and internal bores prior to installation.



Graco Information

Sealant and Adhesive Dispensing Equipment

For the latest information about Graco products, visit www.graco.com.

For patent information, see www.graco.com/patents.

TO PLACE AN ORDER, contact your Graco distributor, go to www.graco.com and select “Where to Buy” in the top blue bar, or call to find the nearest distributor.

If calling from the US: 800-746-1334

If calling from outside the US: 0-1-330-966-3000

All written and visual data contained in this document reflects the latest product information available at the time of publication. Graco reserves the right to make changes at any time without notice.

Original instructions. This manual contains English. MM 334560

Graco Headquarters: Minneapolis

International Offices: Belgium, China, Japan, Korea

GRACO INC. AND SUBSIDIARIES • P.O. BOX 1441 • MINNEAPOLIS MN 55440-1441 • USA

Copyright 2014, Graco Inc. All Graco manufacturing locations are registered to ISO 9001.

www.graco.com

Revision B, January 2017