

# Melter Replacement Kit

334564B

EN

For replacing the melter assembly found on the InvisiPac™ HM50 Tank-Free™ Hot Melt Delivery System.



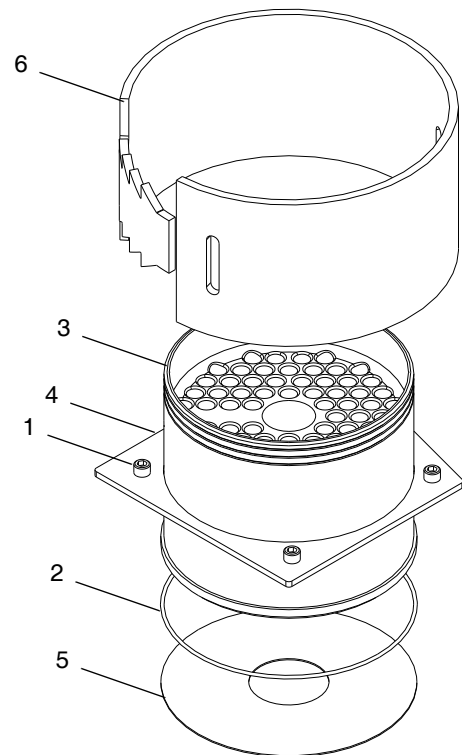
**Important Safety Instructions**

Read all warnings and instructions in the InvisiPac HM50 Tank-Free Hot Melt Delivery System, Instructions-Parts manual. Save all instructions.

**Kit 24V508**

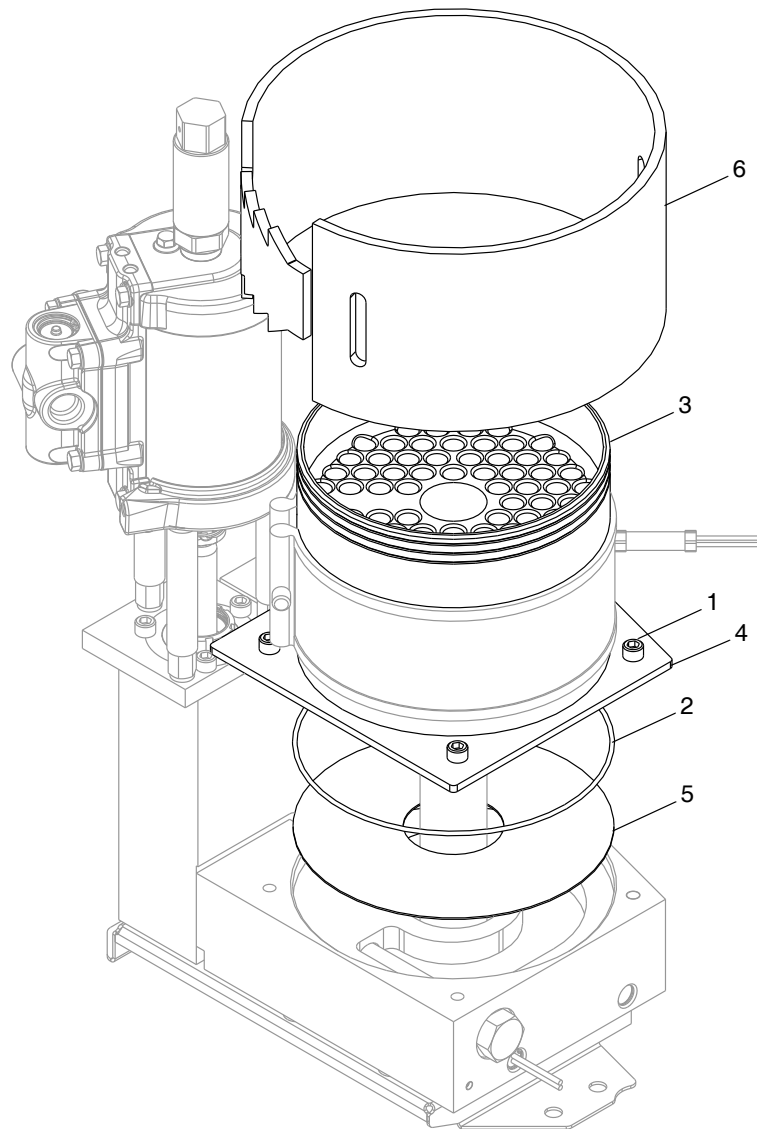
Ref	Part	Description	Qty
1	116940	SCREW, cap, socket head, 5/16-18	4
2	16W615	O-RING, fluoroelastomer	1
3	---	TANK, melter HM50	1
4	---	PLATE, mounting	1
5	---	PLATE, melter	1
6	16W659	INSULATOR, melter	1

--- Not for sale.



**NOTE:** Be aware of all connections and routings prior to the disassembly of the existing funnel assembly, as this will aid in the installation of the kit.

**NOTE:** Lubricate all o-rings and seals prior to installation.



## Graco Information

Sealant and Adhesive Dispensing Equipment

For the latest information about Graco products, visit [www.graco.com](http://www.graco.com).

For patent information, see [www.graco.com/patents](http://www.graco.com/patents).

**TO PLACE AN ORDER, contact your Graco distributor, go to [www.graco.com](http://www.graco.com) and select “Where to Buy” in the top blue bar, or call to find the nearest distributor.**

***If calling from the US: 800-746-1334***

***If calling from outside the US: 0-1-330-966-3000***

*All written and visual data contained in this document reflects the latest product information available at the time of publication. Graco reserves the right to make changes at any time without notice.*

*Original instructions. This manual contains English. MM 334564*

**Graco Headquarters:** Minneapolis

**International Offices:** Belgium, China, Japan, Korea

**GRACO INC. AND SUBSIDIARIES • P.O. BOX 1441 • MINNEAPOLIS MN 55440-1441 • USA**

Copyright 2014, Graco Inc. All Graco manufacturing locations are registered to ISO 9001.

[www.graco.com](http://www.graco.com)

Revision B, January 2017