

Blanking Plate Kit

334983C

InvisiPac™ GM100 Plug-Free™ Hot Melt Applicator

EN

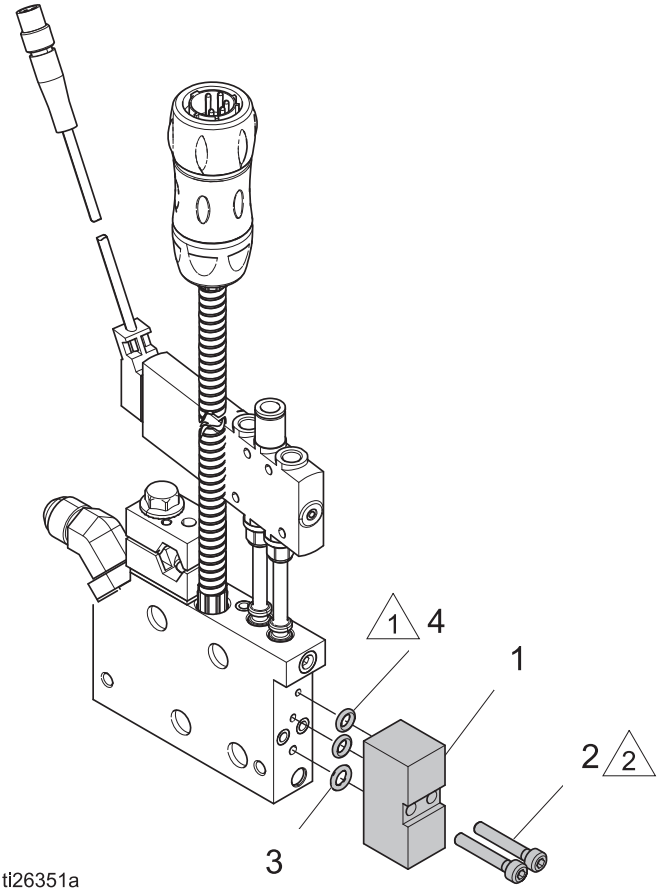


Important Safety Instructions

Read all warnings and instructions in the InvisiPac™ GM100 Plug-Free™ Hot Melt Applicator manual. Save all instructions.

Kit 24W017

Ref.	Part	Description	Qty.
1	-----	PLATE, blanking	1
2	111119	SCREW, valve	2
3	24R835	O-RING (10 pack)	1
4	24X834	O-RING, (10 pack)	2
5	24T179	LUBRICANT, anti-seize	1
6	24T156	LUBRICANT, high temp	1



ti26351a

- ⚠ 1 Apply high temperature lubricant (6) to o-rings (3 and 4).
- ⚠ 2 Apply anti-seize lubricant (5) to threads. Torque to 28-32 in-lbs (3.2-3.6 N•m).

Graco Information

Sealant and Adhesive Dispensing Equipment

For the latest information about Graco products, visit www.graco.com.

For patent information, see www.graco.com/patents.

TO PLACE AN ORDER, contact your Graco distributor, go to www.graco.com and select “Where to Buy” in the top blue bar, or call to find the nearest distributor.

If calling from the US: 800-746-1334

If calling from outside the US: 0-1-330-966-3000

*All written and visual data contained in this document reflects the latest product information available at the time of publication.
Graco reserves the right to make changes at any time without notice.*

Original instructions. *This manual contains English. MM 334893*

Graco Headquarters: Minneapolis

International Offices: Belgium, China, Japan, Korea

GRACO INC. AND SUBSIDIARIES • P.O. BOX 1441 • MINNEAPOLIS MN 55440-1441 • USA

Copyright 2015, Graco Inc. All Graco manufacturing locations are registered to ISO 9001.

www.graco.com

Revision C, January 2017