

24H255 3-Color Valve Stack Kit

3A1332A

ENG

**To convert ProMix® 2KE Electronic Proportioners to a 3-color valve stack.
For professional use only.**



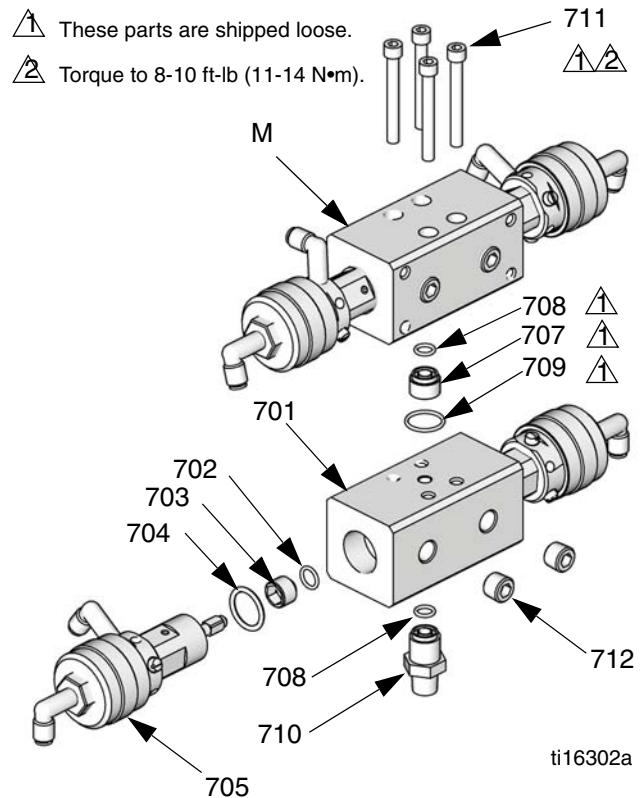
Important Safety Instructions

Read all warnings and instructions in this manual and in your separate ProMix 2KE manuals. Save these instructions.

Kit Parts

Ref.	Description	Qty.
701	MANIFOLD, valve, 3-color	1
702	O-RING	2
703	RETAINER, seat, dump valve	2
704	O-RING, PTFE	2
705	VALVE, dispense	2
707	SPACER, manifold	1
708	O-RING, PTFE	2
709	O-RING	1
710	FITTING	1
711	SCREW, cap, socket hd	4
712	PLUG	2
713	VALVE, solenoid; see page 2	2
715	TUBING, red; 5/32 in. (4 mm) OD; 6 ft (1.83 m); see page 3	1
716	TUBING, green; 5/32 in. (4 mm) OD; 6 ft (1.83 m); see page 3	1
718	CONNECTOR, male; see page 2	4

3. Install new o-ring (708) on the spacer (707). Install new o-ring (709) on the bottom of the 1-color manifold (M). Align manifolds (M and 701). Install four screws (711). Torque to 8-10 ft-lb (11-14 N•m).
4. Reinstall the valve stack.
5. Install the solenoid valves. See page 2.

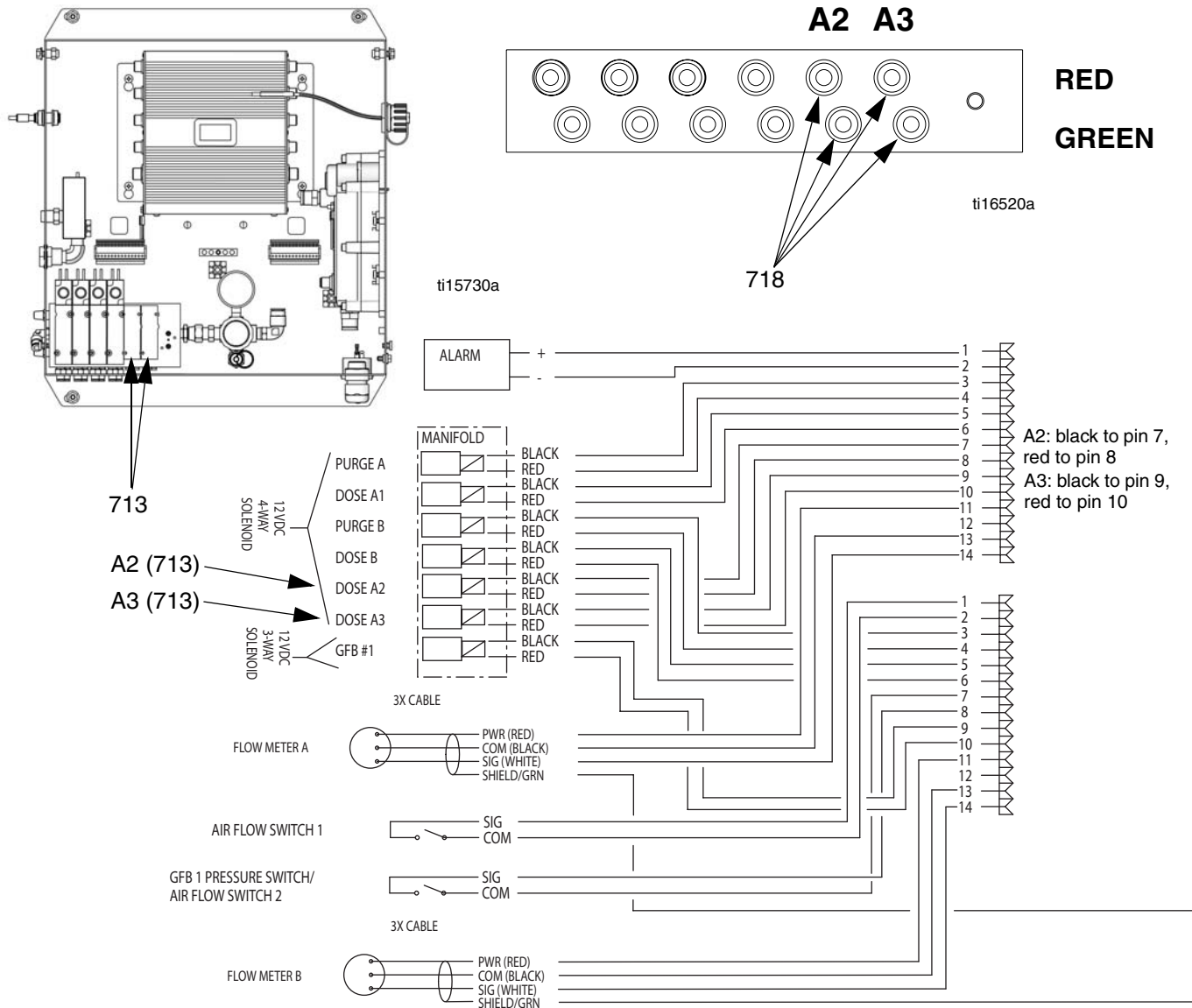


Install the Dispense Valves

1. Relieve the pressure and remove the valve stack as explained in your ProMix 2KE Repair/Parts manual 3A0870.
2. Remove the fitting and o-ring from the existing 1-color manifold (M).

Install the Solenoid Valves

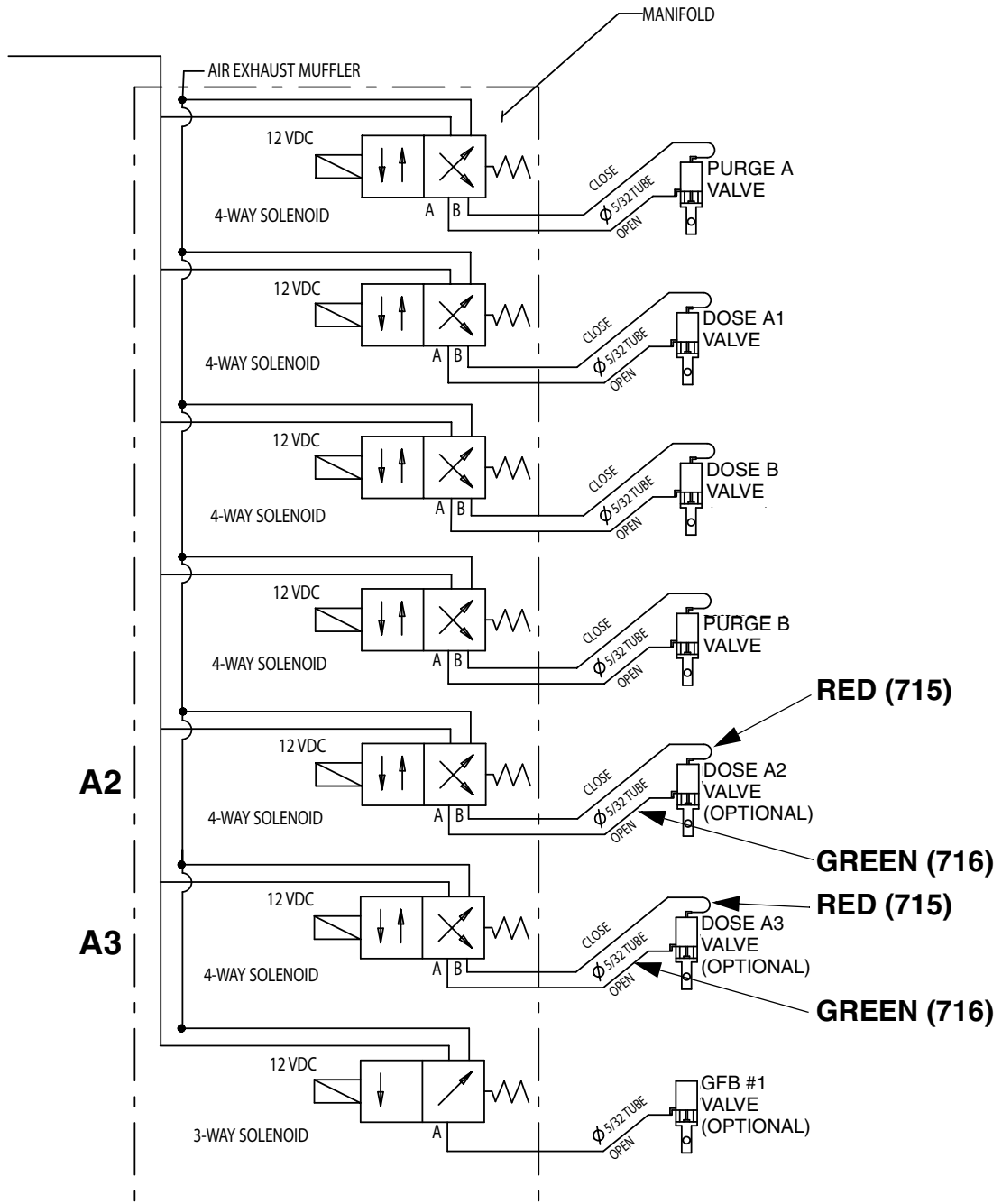
1. Disconnect main power. Open the Control Box.
2. Install the two solenoid valves (713) in positions A2 and A3 as shown below.
3. Connect the wires. Solenoid A2: black to pin 7 and red to pin 8. Solenoid A3: black to pin 9 and red to pin 10.
4. Remove the plugs from the ports at the bottom of the solenoid manifold. Install the male connectors (718).
5. Install the air tubing. See page 3.



Install the Air Tubing

NOTE: The kit includes 6 ft (1.83 m) of red tubing (715) and 6 ft (1.83 m) of green tubing (716). Cut the tubing to the correct lengths to make the following connections.

1. Connect red 5/32 in. (4 mm) OD tubing between the B connector of solenoid A2 and the CLOSE fitting of valve A2. Repeat for solenoid A3 and valve A3.
2. Connect green 5/32 in. (4 mm) OD tubing between the A connector of solenoid A2 and the OPEN fitting of valve A2. Repeat for solenoid A3 and valve A3.
3. Close the Control Box. Restore power.



Graco Standard Warranty

Graco warrants all equipment referenced in this document which is manufactured by Graco and bearing its name to be free from defects in material and workmanship on the date of sale to the original purchaser for use. With the exception of any special, extended, or limited warranty published by Graco, Graco will, for a period of twelve months from the date of sale, repair or replace any part of the equipment determined by Graco to be defective. This warranty applies only when the equipment is installed, operated and maintained in accordance with Graco's written recommendations.

This warranty does not cover, and Graco shall not be liable for general wear and tear, or any malfunction, damage or wear caused by faulty installation, misapplication, abrasion, corrosion, inadequate or improper maintenance, negligence, accident, tampering, or substitution of non-Graco component parts. Nor shall Graco be liable for malfunction, damage or wear caused by the incompatibility of Graco equipment with structures, accessories, equipment or materials not supplied by Graco, or the improper design, manufacture, installation, operation or maintenance of structures, accessories, equipment or materials not supplied by Graco.

This warranty is conditioned upon the prepaid return of the equipment claimed to be defective to an authorized Graco distributor for verification of the claimed defect. If the claimed defect is verified, Graco will repair or replace free of charge any defective parts. The equipment will be returned to the original purchaser transportation prepaid. If inspection of the equipment does not disclose any defect in material or workmanship, repairs will be made at a reasonable charge, which charges may include the costs of parts, labor, and transportation.

THIS WARRANTY IS EXCLUSIVE, AND IS IN LIEU OF ANY OTHER WARRANTIES, EXPRESS OR IMPLIED, INCLUDING BUT NOT LIMITED TO WARRANTY OF MERCHANTABILITY OR WARRANTY OF FITNESS FOR A PARTICULAR PURPOSE.

Graco's sole obligation and buyer's sole remedy for any breach of warranty shall be as set forth above. The buyer agrees that no other remedy (including, but not limited to, incidental or consequential damages for lost profits, lost sales, injury to person or property, or any other incidental or consequential loss) shall be available. Any action for breach of warranty must be brought within two (2) years of the date of sale.

GRACO MAKES NO WARRANTY, AND DISCLAIMS ALL IMPLIED WARRANTIES OF MERCHANTABILITY AND FITNESS FOR A PARTICULAR PURPOSE, IN CONNECTION WITH ACCESSORIES, EQUIPMENT, MATERIALS OR COMPONENTS SOLD BUT NOT MANUFACTURED BY GRACO. These items sold, but not manufactured by Graco (such as electric motors, switches, hose, etc.), are subject to the warranty, if any, of their manufacturer. Graco will provide purchaser with reasonable assistance in making any claim for breach of these warranties.

In no event will Graco be liable for indirect, incidental, special or consequential damages resulting from Graco supplying equipment hereunder, or the furnishing, performance, or use of any products or other goods sold hereto, whether due to a breach of contract, breach of warranty, the negligence of Graco, or otherwise.

FOR GRACO CANADA CUSTOMERS

The Parties acknowledge that they have required that the present document, as well as all documents, notices and legal proceedings entered into, given or instituted pursuant hereto or relating directly or indirectly hereto, be drawn up in English. Les parties reconnaissent avoir convenu que la rédaction du présente document sera en Anglais, ainsi que tous documents, avis et procédures judiciaires exécutés, donnés ou intentés, à la suite de ou en rapport, directement ou indirectement, avec les procédures concernées.

Graco Information

For the latest information about Graco products, visit www.graco.com.

TO PLACE AN ORDER, contact your Graco distributor or call to identify the nearest distributor.

Phone: 612-623-6921 **or Toll Free:** 1-800-328-0211 **Fax:** 612-378-3505

All written and visual data contained in this document reflects the latest product information available at the time of publication. Graco reserves the right to make changes at any time without notice.

Original instructions. This manual contains English. MM 3A1332

Graco Headquarters: Minneapolis

International Offices: Belgium, China, Japan, Korea

GRACO INC. P.O. BOX 1441 MINNEAPOLIS, MN 55440-1441

Copyright 2010, Graco Inc. is registered to ISO 9001

www.graco.com