

G3 Grease Gun

3A1783A

ENG

Used to fill G3 pumps with grease in the field. Not for use with follow plate models or with G3 units containing 3 pump elements. For professional use only.

Not for use in explosive atmospheres.

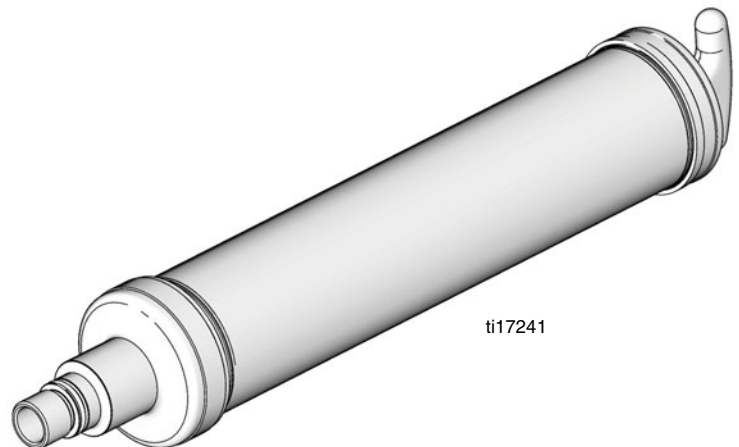
Part No. 571162



Important Safety Instructions

Read all warnings and instructions in this manual and the G3 Automatic Lubrication Pump instruction manual. Save these instructions.

US Patent Pending



ti17241

Instructions

1. Remove cover from end of gun tube (FIG. 1).

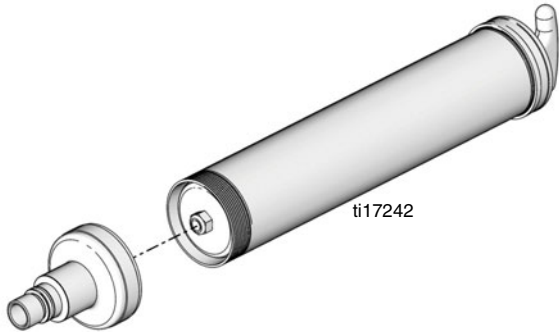


FIG. 1

2. Insert grease tube in gun. Remove cover from end of grease tube.
3. Reinstall grease gun cover over end of gun tube (FIG. 2).

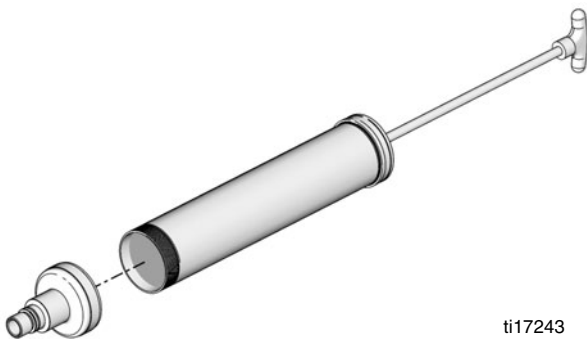


FIG. 2

4. Remove G3 pump outlet plug from unused pump outlet (FIG. 3).

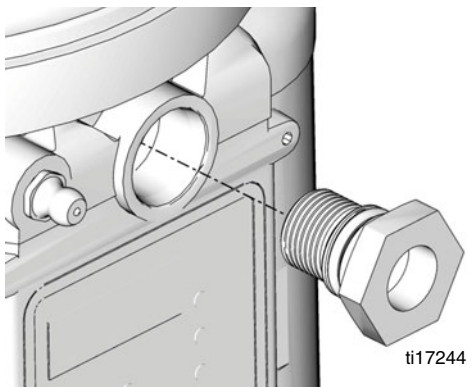


FIG. 3

5. Insert end of gun into pump outlet. Turn gun clockwise until it is tight in housing. Do not overtighten (FIG. 4).

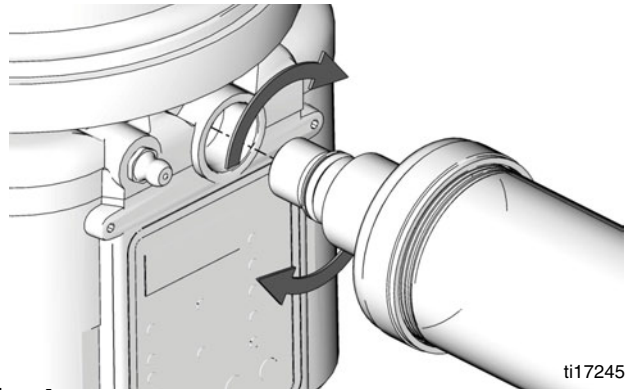


FIG. 4

6. Push down on gun plunger until all grease in grease tube is dispensed into the G3 pump and tube is completely empty (FIG. 5).

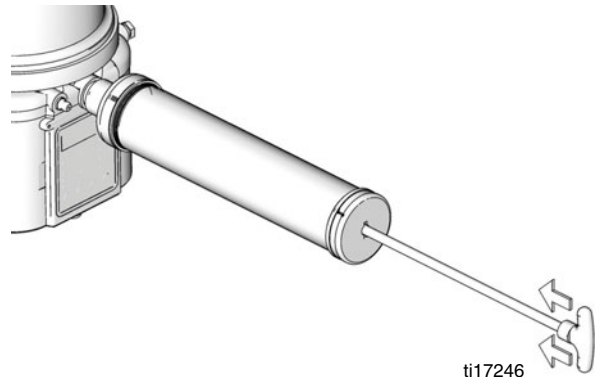


FIG. 5

7. Remove grease gun from pump outlet.
8. Replace G3 pump outlet plug. Use a wrench to tighten plug snugly but be careful not to exceed 50 inch pounds (5.6 N•m).
9. Remove cover from gun and remove and discard empty grease tube. Replace grease gun cover.

Pump Outlet Adapter

A Pump Outlet Adapter, part number 571167, is available from Graco. This permanently installed adapter prevents accidentally stripping threads of the housing/base when the pump outlet plug is removed and installed frequently.

To install the pump outlet adapter in the G3 pump:

1. Remove the pump outlet plug from pump outlet (FIG. 6).

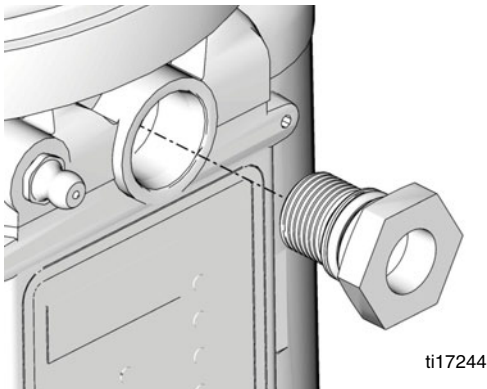


FIG. 6

2. Examine the pump outlet adapter. Be sure the o-ring (a) is correctly installed as shown in FIG. 7.

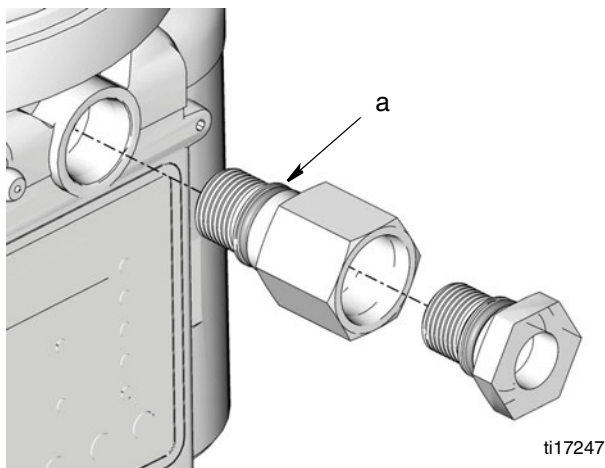


FIG. 7

3. Install the pump outlet adapter in the pump outlet. Tighten securely. Do not exceed 50 inch pounds (5.6 N•m).
4. Replace pump outlet plug in pump outlet adapter. Tighten securely. Do not exceed 50 inch pounds (5.6 N•m).

Filling the G3 Pump with the Pump Outlet Adapter

To fill G3 pump using the pump outlet adapter:

1. Remove cover from end of gun tube (FIG. 1).
2. Insert grease tube in gun. Remove cover from end of grease tube.
3. Reinstall grease gun cover over end of gun tube (FIG. 2).
4. Remove pump outlet plug from pump outlet adapter.
5. Insert end of grease gun in pump outlet adapter. Turn gun clockwise until it is tight in fitting. Do not overtighten.

NOTE: Make sure the pump outlet adapter does not tighten in the housing.

6. Push down on the gun plunger until all grease in grease tube is dispensed into the G3 pump and tube is completely empty.
7. Remove grease gun from the pump outlet adapter.
8. Replace pump outlet plug in pump outlet adapter. Use a wrench to tighten plug snugly but be careful not to exceed 50 inch pounds (5.6 N•m).

NOTE: Make sure the pump outlet adapter does not tighten in the housing.

9. Remove cover from gun and remove and discard empty grease tube. Replace grease gun cover.

Graco Information

For the latest information about Graco products, visit www.graco.com.

TO PLACE AN ORDER, contact your Graco distributor or call to identify the nearest distributor.

Phone: 612-623-6928 or **Toll Free:** 1-800-533-9655, **Fax:** 612-378-3590

*All written and visual data contained in this document reflects the latest product information available at the time of publication.
Graco reserves the right to make changes at any time without notice.*

Original instructions. This manual contains English. MM 3A1783

Graco Headquarters: Minneapolis

International Offices: Belgium, China, Japan, Korea

GRACO INC. P.O. BOX 1441 MINNEAPOLIS, MN 55440-1441

Copyright 2011, Graco Inc. is registered to ISO 9001

www.graco.com

3/2011