



ProMix® PD2K Modbus TCP Installation Kit

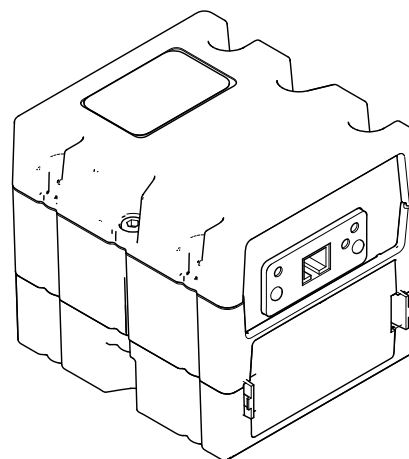
3A3180A
EN

For use with the ProMix® PD2K to provide fieldbus communication abilities. For professional use only.



Important Safety Instructions

Read all warnings and instructions in this manual and in your system installation, operation, and repair manuals. Save these instructions.



Contents

Related Manuals	3	Mount the Module	5
Introduction	4	Connect the Cables.....	6
Installation.....	5	Parts.....	7
Mount the Bracket.....	5		

Related Manuals

Current manuals are available at www.graco.com.

Manual No.	Description
332457	ProMix PD2K Proportioner for Manual Spray Applications, Installation
332562	ProMix PD2K Proportioner for Manual Spray Applications, Operation
3A2800	ProMix PD2K Proportioner for Manual Spray Applications, Repair-Parts
3A3170	ProMix PD2K Advanced Web Interface
332339	Dosing Pumps, Instructions/Parts
332454	Color/Catalyst Dispense Valves, Instructions/Parts
332455	Color Change Kits, Instructions-Parts
332456	Pump Expansion Kits, Instructions-Parts
332459	Advanced Web Interface Kit

Introduction

This manual provides instructions for installing a communication gateway module (CGM) in a ProMix® PD2K system.

- See the Modbus TCP Gateway Module manual 334183 for detailed information on the CGM for the Modbus TCP protocol.
- See the ProMix PD2K operation manual 332562 for setup details and available internal data.

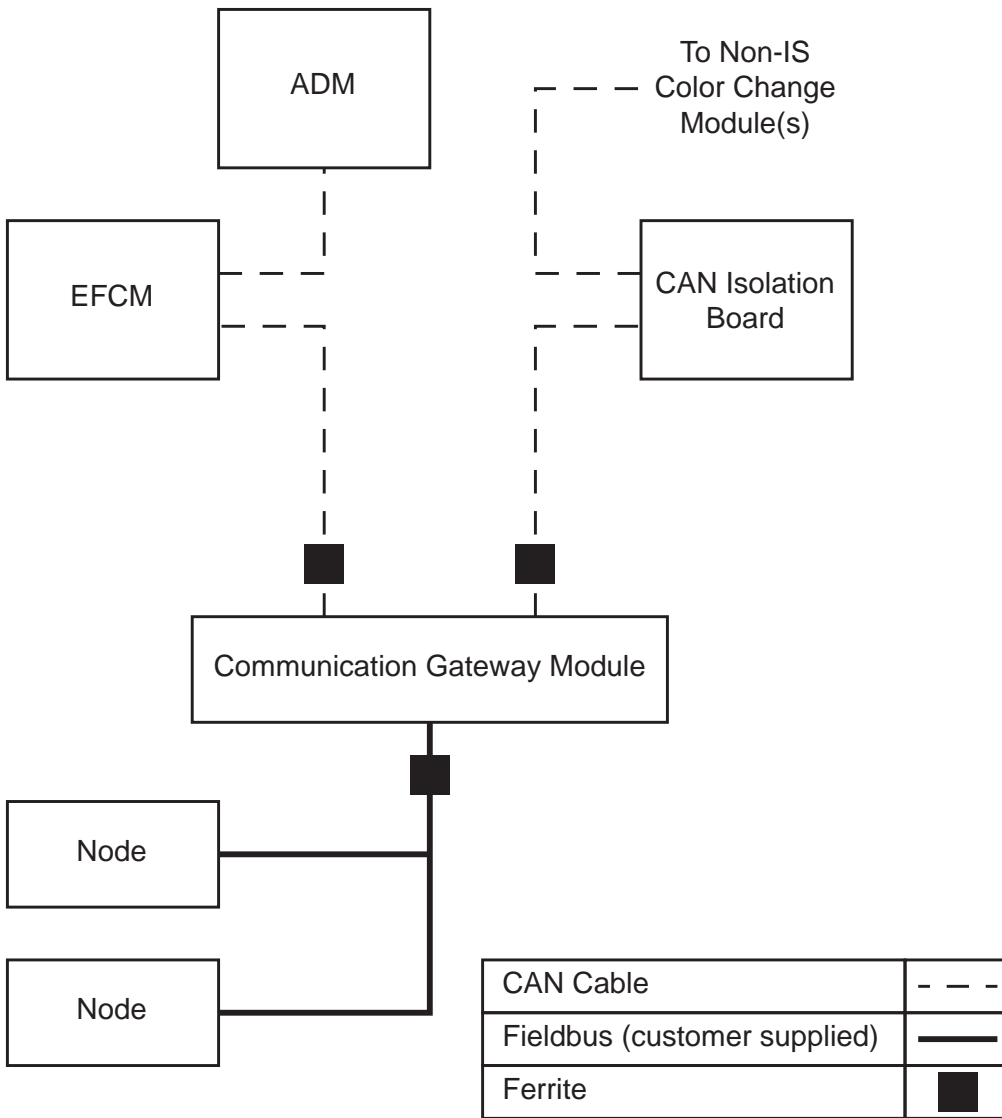


Figure 1

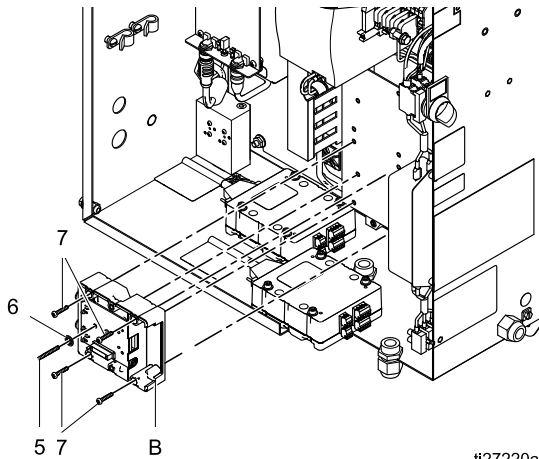
Installation

Mount the Bracket

1. Remove power from the system.
2. Use four screws (2) to mount the bracket (1) to the holes in the back of the electrical control box.

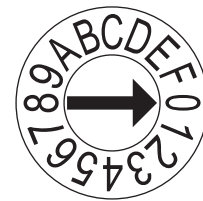
Mount the Module

1. Install the CGM on the mounting bracket in the electrical control box.



ti27220a

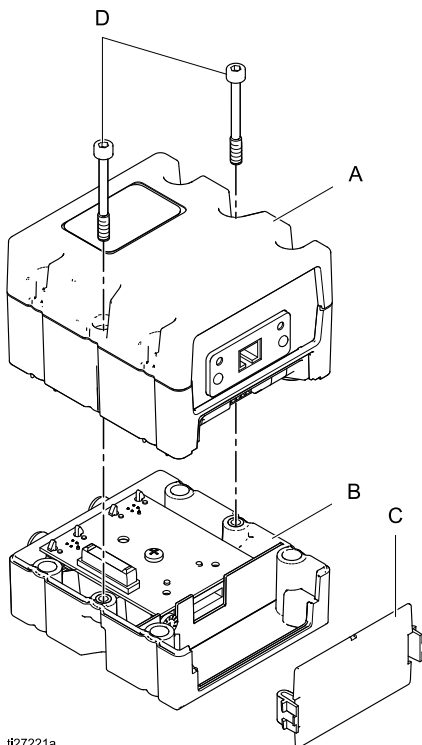
- b. Use four screws (7) to mount the base (B) to the bracket in the electrical control box.
- c. Install the grounding screw (5) and washer (6). Tighten so that the grounding screw attaches to the mounting bracket.
- d. Mount the CGM (A) on the base (B) with two screws (D).
- e. Examine the 16-position rotary switch in the base cavity that the access cover inserts into. Ensure that the rotary switch is set to position zero (0).



NOTE: If additional CGMs are added, each additional CGM must be at a unique setting on its rotary switch.

- f. Install the access cover (C).

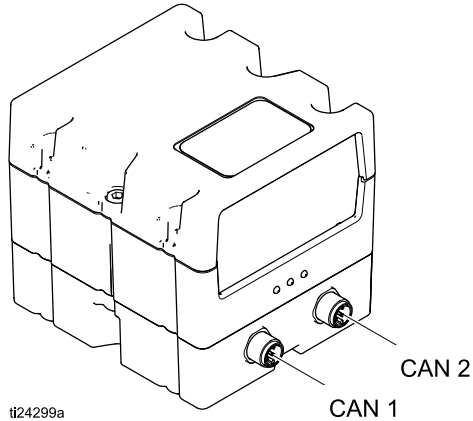
- a. Remove the access cover (C). Loosen two screws (D) and remove the CGM (A) from the base (B).



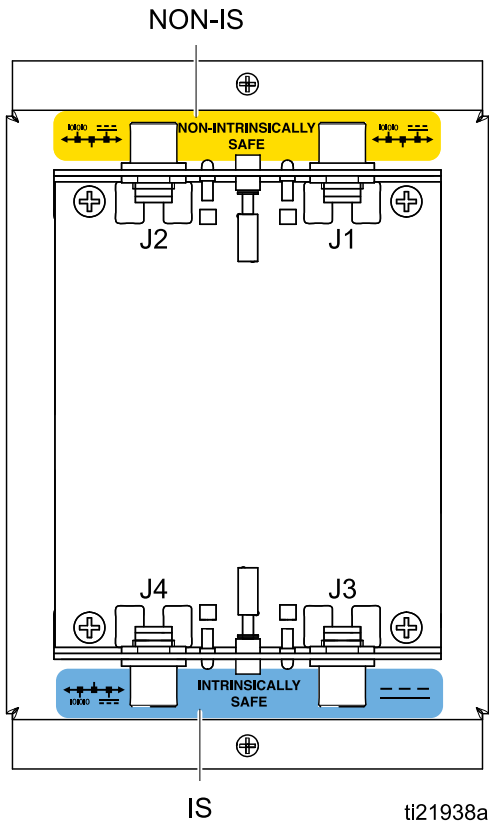
ti27221a

Connect the Cables

NOTE: CAN ports are located on the base (8a) of the CGM.



1. Install the module (see [Mount the Module, page 5](#)).
2. Locate the cable that is connected between the isolation board, connector J1, and the EFCM, J8.
3. Disconnect the cable from J1 of the isolation board.



4. Route the cable down to the CAN 1 connection and attach it to the CGM.
5. Connect the supplied CAN cable from CAN 2 on the CGM and to the isolation board, J1.

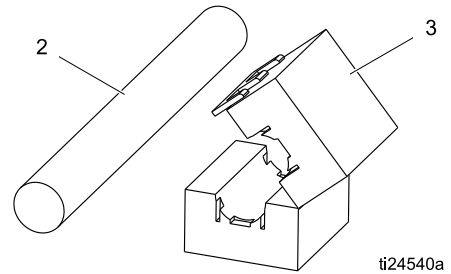
NOTICE

To avoid severe damage to the GCA modules, ensure that the CAN cable is connected to the appropriate CAN connection.

6. Connect the FieldBus cable to the CGM. Connect the other end of the cable to the AWI.

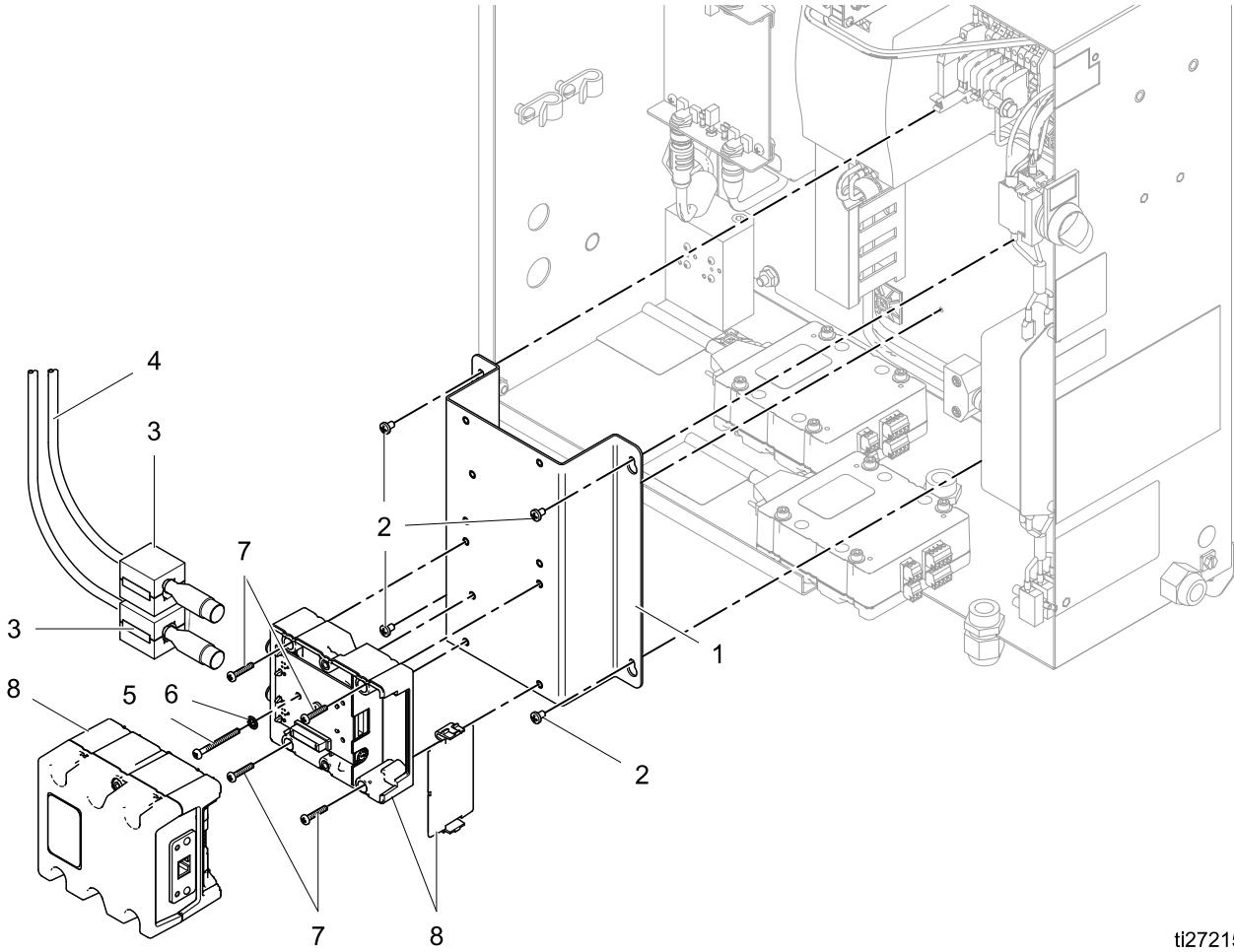
NOTE: Connect the CGM to the FieldBus according to FieldBus standards. The Modbus TCP interface operates at 100Mbit, full duplex. The interface is auto polarity sensing and auto-crossover capable.

7. Connect the ferrites (3) on both CAN cables and the FieldBus cable, adjacent to the CGM.



8. Attach the two tie strap mounts to the electrical control box at locations that will provide support for the two CAN cables routed to the CGM from the isolation board and the FSCM.
9. Use the two tie straps, inserted through the eyelets on the tie strap mounts and wrapped around the cables, to secure the cables. Trim off the excess portion of each tie strap.

Parts



ti27215a

Kit 24T805

Ref	Part	Description	Qty
1	16V797	BRACKET	1
2	112144	SCREW, pan head, #8-32 x 0.2 5 in.	4
3	121901	SUPPRESSOR, box snap, ferrite	3
4	121227	CABLE, CAN, female/female, 0.6m	1
5	123286	SCREW, machine, #6-32 x 1.5 in.	1
6	100272	WASHER	1
7	113964	SCREW, pan head, #6-32 x 0.75 in.	4
8	— — —	MODULE, Communications Gateway, Modbus TCP (includes 8a – 8c)	1
8a	289697	Base	
8b	24R910	Module	
8c	277674	Cover	
9	102478	Tie strap (not shown)	2
10	117793	Tie strap mount (not shown)	2
11	16U706	Grommet (not shown)	1

Graco Standard Warranty

Graco warrants all equipment referenced in this document which is manufactured by Graco and bearing its name to be free from defects in material and workmanship on the date of sale to the original purchaser for use. With the exception of any special, extended, or limited warranty published by Graco, Graco will, for a period of twelve months from the date of sale, repair or replace any part of the equipment determined by Graco to be defective. This warranty applies only when the equipment is installed, operated and maintained in accordance with Graco's written recommendations.

This warranty does not cover, and Graco shall not be liable for general wear and tear, or any malfunction, damage or wear caused by faulty installation, misapplication, abrasion, corrosion, inadequate or improper maintenance, negligence, accident, tampering, or substitution of non-Graco component parts. Nor shall Graco be liable for malfunction, damage or wear caused by the incompatibility of Graco equipment with structures, accessories, equipment or materials not supplied by Graco, or the improper design, manufacture, installation, operation or maintenance of structures, accessories, equipment or materials not supplied by Graco.

This warranty is conditioned upon the prepaid return of the equipment claimed to be defective to an authorized Graco distributor for verification of the claimed defect. If the claimed defect is verified, Graco will repair or replace free of charge any defective parts. The equipment will be returned to the original purchaser transportation prepaid. If inspection of the equipment does not disclose any defect in material or workmanship, repairs will be made at a reasonable charge, which charges may include the costs of parts, labor, and transportation.

THIS WARRANTY IS EXCLUSIVE, AND IS IN LIEU OF ANY OTHER WARRANTIES, EXPRESS OR IMPLIED, INCLUDING BUT NOT LIMITED TO WARRANTY OF MERCHANTABILITY OR WARRANTY OF FITNESS FOR A PARTICULAR PURPOSE.

Graco's sole obligation and buyer's sole remedy for any breach of warranty shall be as set forth above. The buyer agrees that no other remedy (including, but not limited to, incidental or consequential damages for lost profits, lost sales, injury to person or property, or any other incidental or consequential loss) shall be available. Any action for breach of warranty must be brought within two (2) years of the date of sale.

GRACO MAKES NO WARRANTY, AND DISCLAIMS ALL IMPLIED WARRANTIES OF MERCHANTABILITY AND FITNESS FOR A PARTICULAR PURPOSE, IN CONNECTION WITH ACCESSORIES, EQUIPMENT, MATERIALS OR COMPONENTS SOLD BUT NOT MANUFACTURED BY GRACO. These items sold, but not manufactured by Graco (such as electric motors, switches, hose, etc.), are subject to the warranty, if any, of their manufacturer. Graco will provide purchaser with reasonable assistance in making any claim for breach of these warranties.

In no event will Graco be liable for indirect, incidental, special or consequential damages resulting from Graco supplying equipment hereunder, or the furnishing, performance, or use of any products or other goods sold hereto, whether due to a breach of contract, breach of warranty, the negligence of Graco, or otherwise.

FOR GRACO CANADA CUSTOMERS

The Parties acknowledge that they have required that the present document, as well as all documents, notices and legal proceedings entered into, given or instituted pursuant hereto or relating directly or indirectly hereto, be drawn up in English. Les parties reconnaissent avoir convenu que la rédaction du présente document sera en Anglais, ainsi que tous documents, avis et procédures judiciaires exécutés, donnés ou intentés, à la suite de ou en rapport, directement ou indirectement, avec les procédures concernées.

Graco Information

For the latest information about Graco products, visit www.graco.com.

To place an order, contact your Graco Distributor or call to identify the nearest distributor.

Phone: 612-623-6921 **or Toll Free:** 1-800-328-0211 **Fax:** 612-378-3505

All written and visual data contained in this document reflects the latest product information available at the time of publication.

Graco reserves the right to make changes at any time without notice.

For patent information, see www.graco.com/patents.

Original Instructions. This manual contains English. MM 3A3180

Graco Headquarters: Minneapolis

International Offices: Belgium, China, Japan, Korea

GRACO INC. AND SUBSIDIARIES • P.O. BOX 1441 • MINNEAPOLIS MN 55440-1441 • USA

Copyright 2017, Graco Inc. All Graco manufacturing locations are registered to ISO 9001.

www.graco.com
Revision A, November 2017