

# LineLazer™ V 3900, 5900 Airless Line Stripers

## Standard Series and High Production (HP) Auto Series

3A3389K

EN

***For the application of line striping materials.***

***For professional use only.***

***For outdoor use only.***

***Not for use in explosive atmospheres or hazardous locations.***

*Maximum Operating Pressure: 3300 psi (22.8 MPa, 228 bar)*



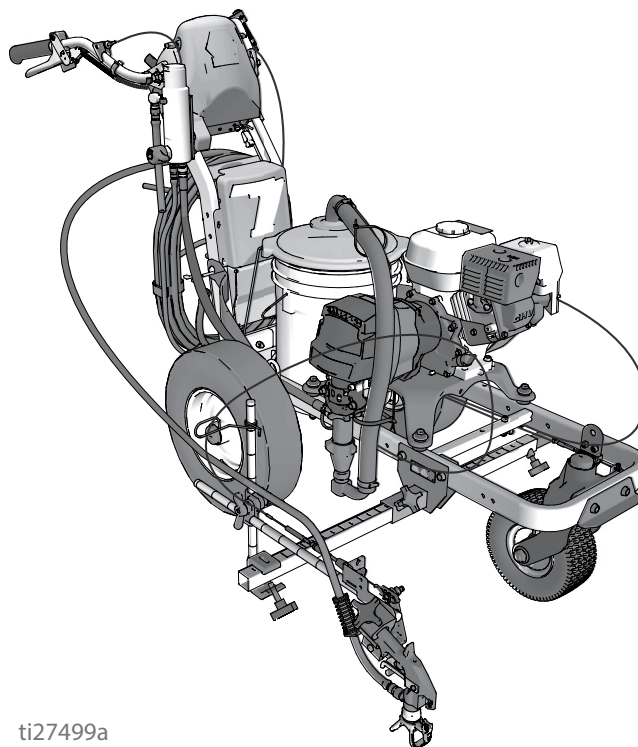
### Important Safety Instructions

Read all warnings and instructions in this manual and in related manuals.

Be familiar with the controls and the proper usage of the equipment.

Save these instructions.

| Related Manuals: |                                  |
|------------------|----------------------------------|
| 3A3388           | Operation                        |
| 311254           | Gun                              |
| 309277           | Pump                             |
| 3A3428           | Auto-Layout Applications Methods |



ti27499a

*Use only genuine Graco replacement parts.  
The use of non-Graco replacement parts may void warranty.*



# Contents

|  |           |
|--|-----------|
| <b>Models</b> .....  | <b>3</b>  |
| <b>Tip Selection</b> .....                                       | <b>4</b>  |
| <b>LineLazer V 3900, 5900 Parts</b> .....                        | <b>5</b>  |
| <b>Parts Drawing - LineLazer V 3900, 5900</b> .....              | <b>6</b>  |
| <b>Parts List</b> .....  | <b>7</b>  |
| <b>Parts Drawing - LineLazer V 3900, 5900</b> .....              | <b>8</b>  |
| <b>Parts List</b> .....  | <b>9</b>  |
| <b>Parts Drawing - Drive and Pinion Housing Assemblies</b> ..... | <b>10</b> |
| <b>Parts List</b> .....  | <b>11</b> |
| <b>Parts Drawing - LineLazer V 3900, 5900</b> .....              | <b>12</b> |
| <b>Parts List</b> .....  | <b>13</b> |
| Swivel Wheel Assembly .....                                      | 13        |
| Filter .....   | 13        |
| <b>Parts Drawing - LineLazer V 3900, 5900</b> .....              | <b>14</b> |
| <b>Parts List</b> .....  | <b>15</b> |
| Gun Holder and Arm .....   | 15        |
| Gun Trigger .....  | 15        |
| <b>Parts Drawing - LineLazer V 3900, 5900</b> .....              | <b>16</b> |
| <b>Parts List</b> .....  | <b>17</b> |
| <b>Distance Sensor Replacement</b> .....                         | <b>18</b> |
| <b>Wiring Diagram (Standard Series - China only)</b> .           | <b>19</b> |
| <b>Wiring Diagram (HP Auto Series - China only)</b> .            | <b>20</b> |
| <b>Wiring Diagram (Standard Series)</b> .....                    | <b>21</b> |
| <b>Wiring Diagram (HP Auto Series)</b> .....                     | <b>22</b> |
| <b>Technical Specifications</b> .....                            | <b>23</b> |
| <b>Graco Standard Warranty</b> .....                             | <b>29</b> |
| <b>Graco Information</b> .....                                   | <b>29</b> |



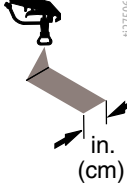
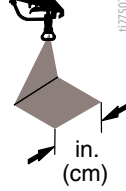
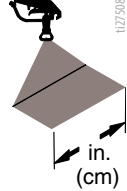
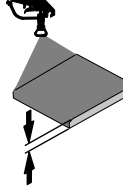
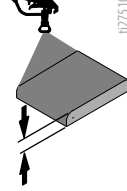
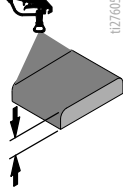
| <b>Manual</b> | <b>Language</b> |
|---------------|-----------------|
| <b>3A3389</b> | English         |
| <b>3A3865</b> | French          |
| <b>3A3866</b> | Spanish         |
| <b>3A3873</b> | Dutch           |
| <b>3A3876</b> | German          |
| <b>3A3879</b> | Italian         |
| <b>3A4659</b> | Croatian        |
| <b>3A3703</b> | Russian         |
| <b>3A3883</b> | Polish          |
| <b>3A3869</b> | Japanese        |
| <b>3A3867</b> | Chinese         |
| <b>3A3868</b> | Korean          |

# Models

| LineLazer V 3900 |                          |                           |                       |                                       |                        |
|------------------|--------------------------|---------------------------|-----------------------|---------------------------------------|------------------------|
| Model:           | Standard<br>1 Manual Gun | Standard<br>2 Manual Guns | HP Auto<br>1 Auto Gun | HP Auto<br>1 Auto Gun<br>1 Manual Gun | HP Auto<br>2 Auto Guns |
| 17H449           | ✓                        |                           |                       |                                       |                        |
| 25P330           | ✓                        |                           |                       |                                       |                        |
| 17H450           |                          | ✓                         |                       |                                       |                        |
| 25P331           |                          | ✓                         |                       |                                       |                        |
| 17K577           |                          |                           | ✓                     |                                       |                        |
| 25P332           |                          |                           | ✓                     |                                       |                        |
| 17H451           |                          |                           | ✓<br>with laser       |                                       |                        |
| 17K638           |                          |                           |                       | ✓                                     |                        |
| 17H452           |                          |                           |                       | ✓<br>with laser                       |                        |
| 17K579           |                          |                           |                       |                                       | ✓                      |
| 25P333           |                          |                           |                       |                                       | ✓                      |
| 17H453           |                          |                           |                       |                                       | ✓<br>with laser        |
| 25P334           |                          |                           |                       |                                       | ✓<br>with laser        |
| LineLazer V 5900 |                          |                           |                       |                                       |                        |
| Model:           | Standard<br>1 Manual Gun | Standard<br>2 Manual Guns | HP Auto<br>1 Auto Gun | HP Auto<br>1 Auto Gun<br>1 Manual Gun | HP Auto<br>2 Auto Guns |
| 17H454           | ✓                        |                           |                       |                                       |                        |
| 25P326           | ✓                        |                           |                       |                                       |                        |
| 17H455           |                          | ✓                         |                       |                                       |                        |
| 25P329           |                          | ✓                         |                       |                                       |                        |
| 17K580           |                          |                           | ✓                     |                                       |                        |
| 17H456           |                          |                           | ✓<br>with laser       |                                       |                        |
| 17K636           |                          |                           |                       | ✓                                     |                        |
| 17H457           |                          |                           |                       | ✓<br>with laser                       |                        |
| 17K581           |                          |                           |                       |                                       | ✓                      |
| 25P335           |                          |                           |                       |                                       | ✓                      |
| 17H458           |                          |                           |                       |                                       | ✓<br>with laser        |
| 25P328           |                          |                           |                       |                                       | ✓<br>with laser        |

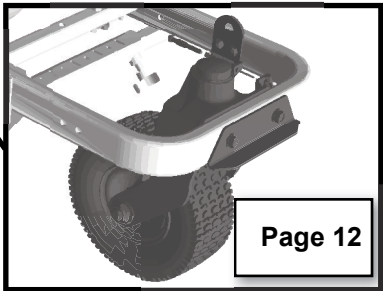
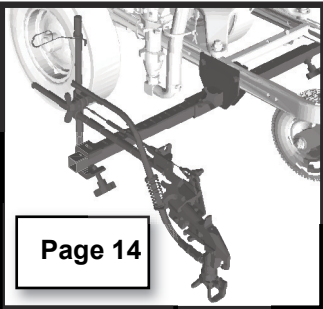
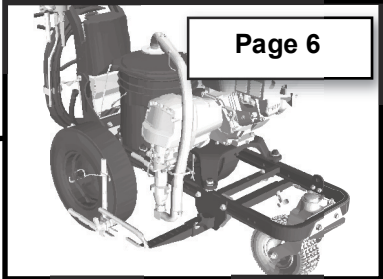
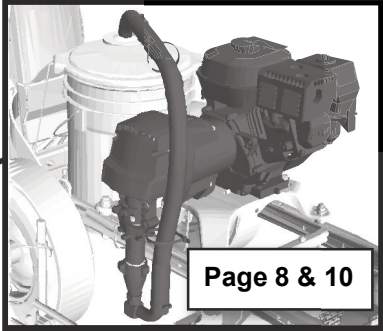
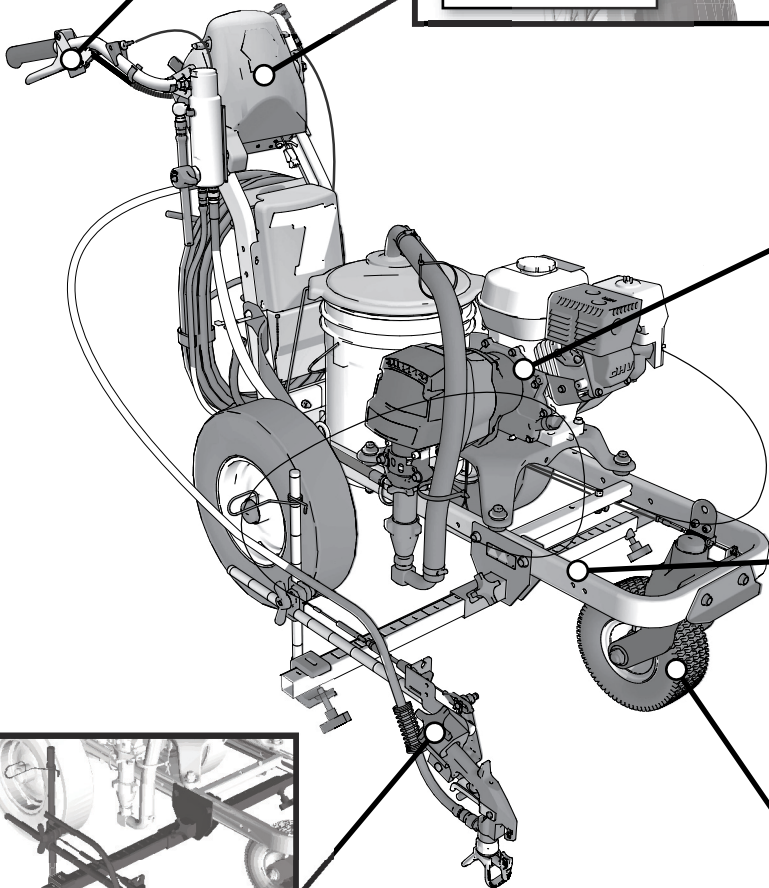
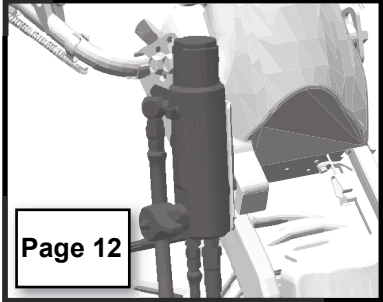
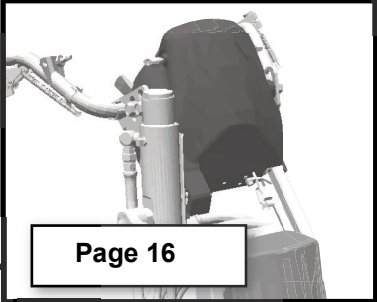
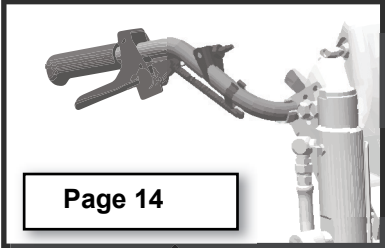
\* All auto guns can be actuated manually.

# Tip Selection

| <br>1127606a | <br>1127505a<br>in.<br>(cm) | <br>1127506a<br>in.<br>(cm) | <br>1127507a<br>in.<br>(cm) | <br>1127508a<br>in.<br>(cm) | <br>1127509a | <br>1127510a | <br>1127605a |
|---|--|--|--|--|--|---|---|
| LL5213*   | 2 (5)  |  |  |  | ✓  |   |   |
| LL5215*   | 2 (5)  |  |  |  |  | ✓   |   |
| LL5217  |  | 4 (10)   |  |  |  | ✓   |   |
| LL5219  |  | 4 (10)   |  |  |  |   | ✓   |
| LL5315*   |  | 4 (10)   |  |  | ✓  |   |   |
| LL5317  |  | 4 (10)   |  |  | ✓  |   |   |
| LL5319  |  | 4 (10)   |  |  |  | ✓   |   |
| LL5321  |  | 4 (10)   |  |  |  | ✓   |   |
| LL5323  |  | 4 (10)   |  |  |  | ✓   |   |
| LL5325  |  | 4 (10)   |  |  |  |   | ✓   |
| LL5327  |  | 4 (10)   |  |  |  |   | ✓   |
| LL5329  |  | 4 (10)   |  |  |  |   | ✓   |
| LL5331  |  | 4 (10)   |  |  |  |   | ✓   |
| LL5333  |  | 4 (10)   |  |  |  |   | ✓   |
| LL5335  |  | 4 (10)   |  |  |  |   | ✓   |
| LL5355  |  | 4 (10)   |  |  |  |   | ✓   |
| LL5417  |  |  | 6 (15)   |  | ✓  |   |   |
| LL5419  |  |  | 6 (15)   |  | ✓  |   |   |
| LL5421  |  |  | 6 (15)   |  | ✓  |   |   |
| LL5423  |  |  | 6 (15)   |  |  | ✓   |   |
| LL5425  |  |  | 6 (15)   |  |  | ✓   |   |
| LL5427  |  |  | 6 (15)   |  |  | ✓   |   |
| LL5429  |  |  | 6 (15)   |  |  | ✓   |   |
| LL5431  |  |  | 6 (15)   |  |  |   | ✓   |
| LL5435  |  |  | 6 (15)   |  |  |   | ✓   |
| LL5621  |  |  |  | 12 (30)  | ✓  |   |   |
| LL5623  |  |  |  | 12 (30)  | ✓  |   |   |
| LL5625  |  |  |  | 12 (30)  | ✓  |   |   |
| LL5627  |  |  |  | 12 (30)  | ✓  |   |   |
| LL5629  |  |  |  | 12 (30)  | ✓  |   |   |
| LL5631  |  |  |  | 12 (30)  |  | ✓   |   |
| LL5635  |  |  |  | 12 (30)  |  | ✓   |   |
| LL5639  |  |  |  | 12 (30)  |  |   | ✓   |

\* Use 100 mesh filter to reduce tip clogs.

# LineLazer V 3900, 5900 Parts



ti28061a



# Parts List

| Ref | Part   | Description                             | Qty | Ref  | Part   | Description                     | Qty |
|-----|--------|---|-----|------|--------|---------------------------------|-----|
| 1   | 287623 | FRAME, linestriper (painted)            | 1   | 50   | 17J136 | SCREW, hex, flange head         | 4   |
| 6   | 101566 | NUT, lock                               | 8   | 102  | 196176 | ADAPTER, nipple                 | 1   |
| 7   | 193405 | AXLE                                    | 1   | 105  | 114659 | GRIP                            | 2   |
| 9   | 198891 | BRACKET                                 | 1   | 106  | 237686 | GROUND WIRE                     | 1   |
| 10  | 198930 | ROD, brake (includes 12)                | 1   | 107  | 107257 | SCREW, thread forming, hex hd   | 1   |
| 11  | 198931 | BEARING                                 | 1   | 108  | 194310 | LEVEL, actuator                 | 1   |
| 12  | 114808 | CAP, vinyl                              | 1   | 123  | 245225 | HOSE, 3/8" x 50'                | 1   |
| 13  | 195134 | SPACER, ball, guide                     | 1   | 124  | 245798 | HOSE, coupled 1/4" x 7'         | 1   |
| 14  | 113961 | SCREW, cap, hex hd                      | 1   | 125g | 278722 | GASKET                          | 1   |
| 16  | 111040 | NUT, lock, insert, nylock, 5/16         | 5   | 146  | 120151 | RETAINER, caplug                | 2   |
| 17† | 255162 | WHEEL, pneumatic w sensor ring (right)  | 1   | 157  | 114271 | STRAP                           | 1   |
|     | 111020 | WHEEL, pneumatic w/o sensor ring (left) | 1   | 158  | 108471 | KNOB, pronged                   | 1   |
| 18  | 112405 | NUT, lock                               | 2   | 160  | 404989 | STRAP, tie                      | 5   |
| 19  | 112825 | WASHER                                  | 4   | 161  | 17K394 | LABEL, gmax warning fire & skin | 1   |
| 20  | 114648 | CAP, dust                               | 2   | 162  | 115077 | PAIL, plastic                   | 1   |
| 21  | 15J088 | SHIELD, distance sensor                 | 1   | 163  | 24U241 | KIT, pail cover                 | 1   |
| 22  | 15K452 | SPACER, round,.500 o.d.                 | 1   | 214* | 17J236 | SWITCH, push button             | 1   |
| 23  | 15K357 | SENSOR, distance                        | 1   | 215* | 15K162 | BLOCK, switch                   | 1   |
| 24  | 108868 | CLAMP, wire                             | 2   | 220* | C19277 | WASHER, lock, split, hi-collar  | 1   |
| 25  | 260212 | SCREW, hex washer hd, thd form          | 1   | 221* | C20004 | SCREW, cap                      | 1   |
| 31  | 114982 | SCREW, cap, flng hd                     | 6   | 224  | 17H721 | CLAMP, wire                     | 2   |
| 40  | 24Y665 | FRAME, handle upright, painted          | 1   | 308  | 17K392 | LABEL                           | 1   |
| 41  | 15F576 | BRACE, right (painted)                  | 1   | 372  | 112960 | SCREW                           | 5   |
| 42  | 15F577 | BRACE, left (painted)                   | 1   | 400  | 24Y641 | BAR, handle                     | 1   |
| 43  | 128977 | SCREW, cap button hd                    | 2   | 401  | 24Y642 | CONTROL PLATE                   | 1   |
| 48  | 17J125 | BRACKET, slide                          | 2   |      |        |                                 |     |

† Replace both at the same time

\* HP Auto only

# Parts Drawing - LineLazer V 3900, 5900

Torque to 130-150 in-lbs  
(14.6-16.9 N·m)

Torque to 190-210 in-lbs  
(21.4-23.7 N·m)

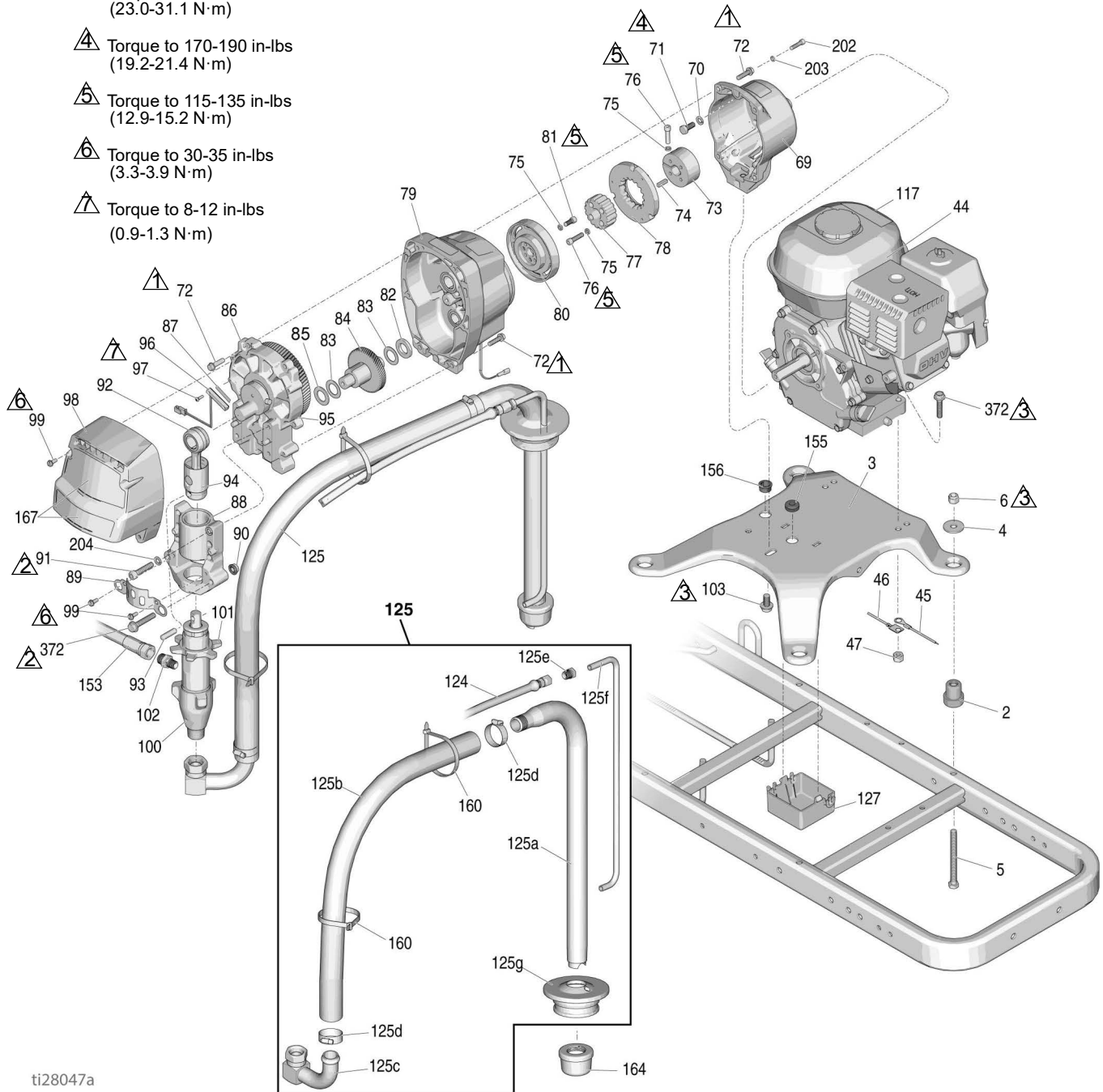
Torque to 17-23 ft-lbs  
(23.0-31.1 N·m)

Torque to 170-190 in-lbs  
(19.2-21.4 N·m)

Torque to 115-135 in-lbs  
(12.9-15.2 N·m)

Torque to 30-35 in-lbs  
(3.3-3.9 N·m)

Torque to 8-12 in-lbs  
(0.9-1.3 N·m)



ti28047a

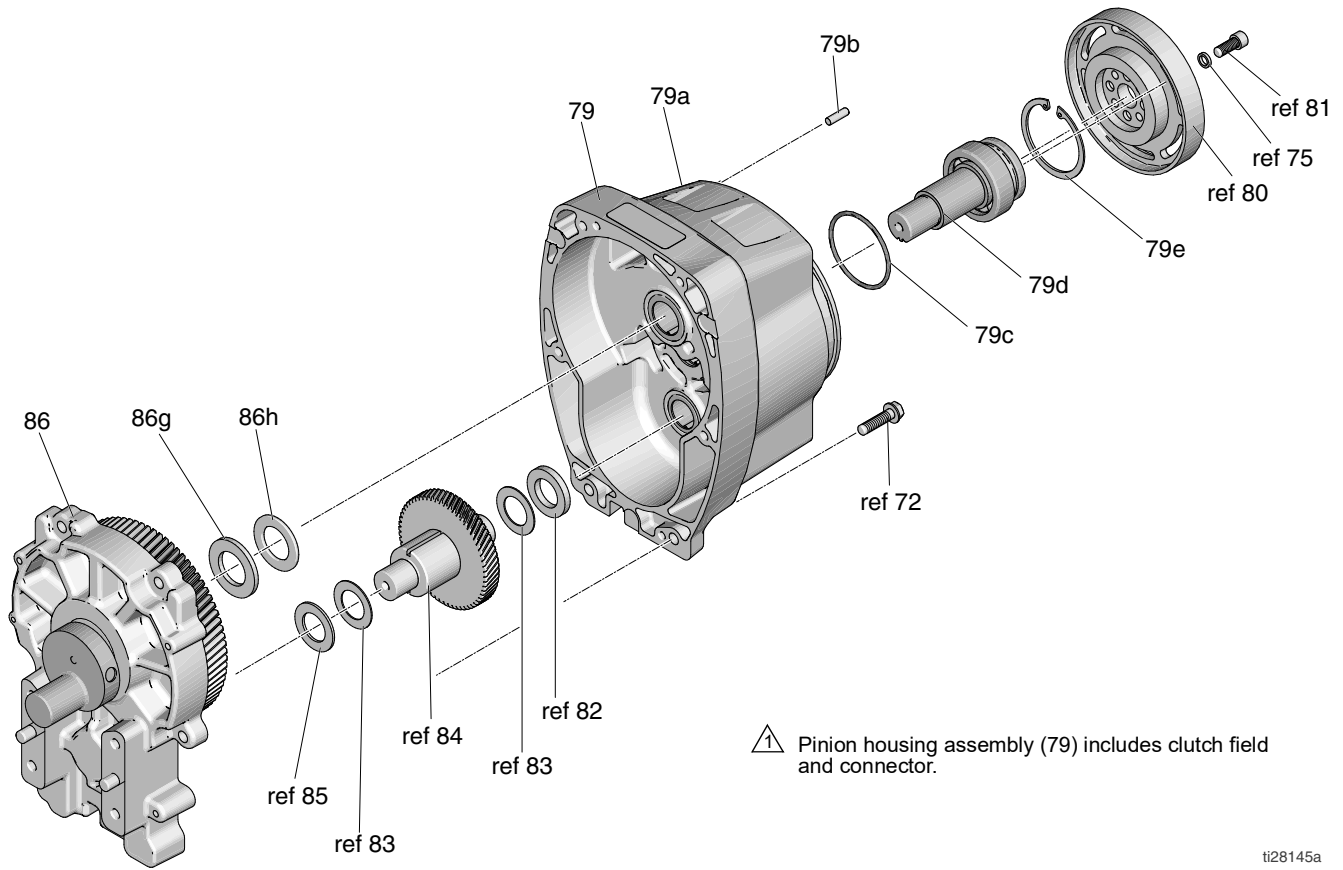


# Parts List

| Ref | Part   | Description                           | Qty | Ref  | Part   | Description                             | Qty |
|-----|--------|---------------------------------------|-----|------|--------|---|-----|
| 2   | 119695 | DAMPENER, engine mount                | 4   | 92   | 287719 | ROD, connecting, 3900 (includes 93, 94) | 1   |
| 3   | 15F583 | PLATE, engine mount                   | 1   |      | 287720 | ROD, connecting, 5900 (includes 93, 94) | 1   |
| 4   | 108851 | WASHER, plain                         | 4   | 93   | 15F855 | PIN, pump, 3900                         | 1   |
| 5   | 113743 | SCREW, cap, hex hd                    | 4   |      | 15F856 | PIN, pump, 5900                         | 1   |
| 6   | 101566 | NUT, lock                             | 4   | 94   | 119676 | SPRING, retaining, 3900                 | 1   |
| 44  | 108879 | ENGINE, gasoline, 4.0 hp, 3900        | 1   |      | 119778 | SPRING, retaining, 5900                 | 1   |
|     | 114530 | ENGINE, gasoline, 5.5 hp, 5900        | 1   | 95   | 116618 | MAGNET                                  | 1   |
|     | 25P295 | ENGINE, gasoline, 5.5 hp (China only) | 1   | 96   | 119562 | SWITCH, reed w/ connector               | 1   |
| 46  | 240997 | CONDUCTOR, ground                     | 1   | 97   | 114528 | SCREW, mach, phillips, pnhd             | 2   |
| 47  | 110838 | NUT, lock                             | 2   | 98   | 16Y747 | COVER, 3900 (includes 99)               | 1   |
| 69  | 15E535 | HOUSING, clutch, machine, 3900        | 1   |      | 16Y748 | COVER, 5900 (includes 99)               | 1   |
|     | 15E277 | HOUSING, clutch, machine, 5900        | 1   | 99   | 118444 | SCREW, mach, slot hex wash hd           | 6   |
| 70  | 100214 | WASHER                                | 4   | 100  | 277069 | PUMP, 3900                              | 1   |
| 71  | 108842 | SCREW, cap, hex hd                    | 4   |      | 277070 | PUMP, 5900                              | 1   |
| 72  | 119426 | SCREW, mach, hex washer hd, 3900      | 10  | 101  | 192723 | NUT, retaining, 3900                    | 1   |
|     | 15C753 | SCREW, mach, hex washer hd, 5900      | 6   |      | 193031 | NUT, retaining, 5900                    | 1   |
| 73  | 193680 | COLLAR, shaft                         | 1   | 102  | 196176 | ADAPTER, nipple, 3900                   | 1   |
| 74  | 183401 | KEY, parallel                         | 1   |      | 196178 | ADAPTER, nipple, 5900                   | 1   |
| 75  | 105510 | WASHER, lock, spring (hi-collar)      | 10  | 103  | 112395 | SCREW, cap, flng hd                     | 1   |
| 76  | 108803 | SCREW, hex, socket head               | 6   | 117▲ | 194126 | LABEL, warning                          | 1   |
| 77† |        | HUB, armature                         | 1   | 124  | 245798 | HOSE, coupled, 1/4"x7'                  | 1   |
| 78† |        | ARMATURE, clutch, 4", 3900            | 1   | 125  | 24V567 | HOSE, suction/drain                     | 1   |
|     |        | ARMATURE, clutch, 5", 5900            | 1   | 125a | 15F149 | TUBE, suction                           | 1   |
| 79  | 287463 | KIT, pinion, housing, 3900            | 1   | 125b | 185381 | HOSE, nylon                             | 1   |
|     | 287465 | KIT, pinion, housing, 5900            | 1   | 125c | 110194 | FITTING, union, swivel, 180°            | 1   |
| 80† |        | ROTOR, clutch, 4", 3900               | 1   | 125d | 101818 | CLAMP, hose                             | 2   |
|     |        | ROTOR, clutch, 5", 5900               | 1   | 125e | 196180 | BUSHING                                 | 1   |
| 81  | 101682 | SCREW, cap, sch                       | 4   | 125f | 16X071 | TUBE, drain line                        | 1   |
| 82  | 15F250 | WASHER, thrust, 3900                  | 1   | 125g | 278722 | GASKET                                  | 1   |
| 83  | 114699 | WASHER, thrust, 3900                  | 2   | 127  | 15F369 | BOX                                     | 1   |
|     | 114672 | WASHER, 5900                          | 1   | 153  | 245797 | HOSE, coupled, 3/8 in. x 3              | 1   |
| 84  | 287653 | GEAR, combination, 3900               | 1   | 155  | 114629 | GROMMET, transducer                     | 1   |
|     | 287460 | GEAR, combination, 5900               | 1   | 156  | 119569 | BUSHING, strain relief                  | 1   |
| 85  | 114672 | WASHER, thrust                        | 1   | 160  | 404989 | STRAP, tie                              | 2   |
| 86  | 287467 | HOUSING, drive, 3900                  | 1   | 164  | 181072 | KIT, strainer                           | 1   |
|     | 287469 | HOUSING, drive, 5900                  | 1   | 167  | 17H686 | LABEL, 3900                             | 1   |
| 87  | 15F947 | SHIELD, magnetic                      | 1   |      | 17H687 | LABEL, 5900                             | 1   |
| 88  | 287714 | HOUSING, bearing, 3900                | 1   | 203  | 104008 | WASHER, 5900 only                       | 4   |
|     | 287715 | HOUSING, bearing, 5900                | 1   | 202  | 102962 | SCREW, 5900 only                        | 4   |
| 89  | 15C762 | SHIELD, pump rod                      | 1   | 204  | 100214 | WASHER, 3900                            | 4   |
| 90  | 110996 | NUT, hex, flange head                 | 2   |      | 106115 | WASHER, 5900                            | 4   |
| 91  | 113467 | SCREW, cap, socket hd, 3900           | 4   | 372  | 112960 | SCREW                                   | 4   |
|     | 114666 | SCREW, cap, socket hd, 5900           | 4   |      |        |   |     |

▲ Replacement warning labels may be ordered free of charge  
 † Included in Clutch Repair Kit 241109 (3900) and 241113 (5900)

# Parts Drawing - Drive and Pinion Housing Assemblies



ti28145a

# Parts List

## Ref No. 86 and 79

**Ref No. 86:** Drive Housing Assembly 287467 for LineLazer V 3900; Drive Housing Assembly 287469 for LineLazer V 5900

| Ref | Part   | Description          | Qty |
|-----|--------|----------------------|-----|
| 86  | 287467 | HOUSING, drive, 3900 | 1   |
|     | 287469 | HOUSING, drive, 5900 | 1   |
| 86g |        | WASHER               |     |
|     | 107089 | LineLazer IV 3900    | 1   |
|     | 194173 | LineLazer IV 5900    | 1   |
| 86h |        | WASHER               |     |
|     | 116191 | LineLazer IV 3900    | 1   |
|     | 116192 | LineLazer IV 5900    | 1   |

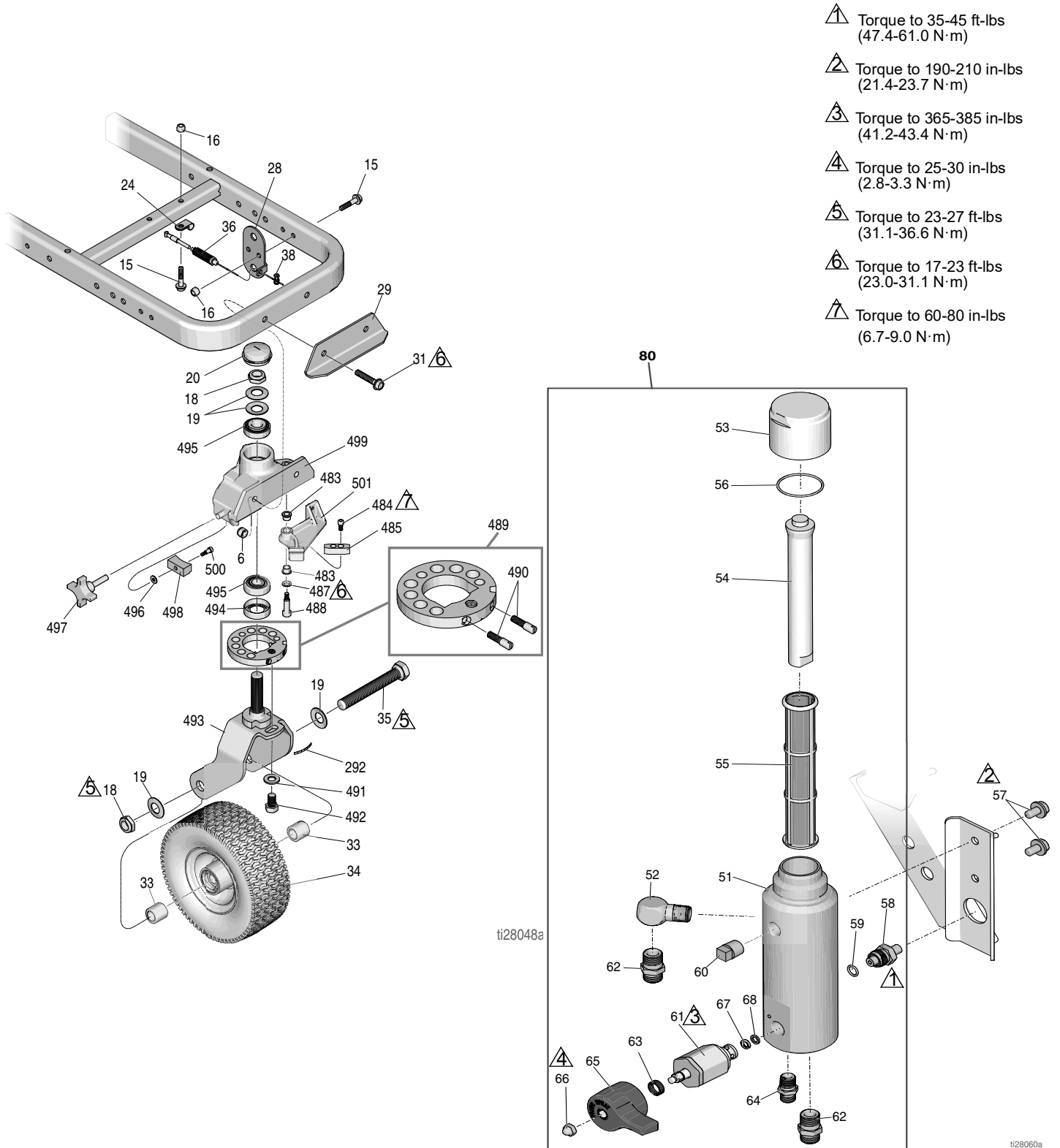
**Ref No. 79:** Pinion Housing Assembly 287463 for LineLazer V 3900; Pinion Housing Assembly 287465 for LineLazer V 5900

| Ref  | Part   | Description            | Qty |
|------|--------|------------------------|-----|
| 79   | 287463 | HOUSING, pinion (3900) | 1   |
|      | 287465 | HOUSING, pinion (5900) | 1   |
| 79a  |        | KIT, repair, coil      |     |
|      | 287474 | LineLazer IV 3900      | 1   |
|      | 287476 | LineLazer IV 5900      | 1   |
| 79b  | 105489 | PIN                    | 2   |
| 79c  |        | O-RING                 |     |
|      | 165295 | LineLazer IV 3900      | 1   |
|      | 114683 | LineLazer IV 5900      | 1   |
| 79d* |        | PINION SHAFT           |     |
|      | 241110 | LineLazer IV 3900      | 1   |
|      | 241114 | LineLazer IV 5900      | 1   |
| 79e* |        | RETAINING RING, large  |     |
|      | 113094 | LineLazer IV 3900      | 1   |
|      | 112770 | LineLazer IV 5900      | 1   |

\* Must be ordered separately.

# Parts Drawing - LineLazer V 3900, 5900

## Swivel Wheel Assembly & Filter



# Parts List

## Swivel Wheel Assembly

| Ref   | Part   | Description                    | Qty |
|-------|--------|--------------------------------|-----|
| 6     | 101566 | NUT, lock                      | 2   |
| 15    | 112960 | SCREW, cap, flng hd            | 3   |
| 16    | 111040 | NUT, lock, insert, nylon, 5/16 | 3   |
| 18*‡  | 112405 | NUT, lock                      | 2   |
| 19*‡  | 112825 | WASHER                         | 4   |
| 20*‡  | 114648 | CAP, dust                      | 1   |
| 24    | 108868 | CLAMP, wire                    | 1   |
| 28‡   | 15F910 | BRACKET, cable                 | 1   |
| 29    | 240991 | BRACKET, caster, front         | 1   |
| 31    | 114982 | SCREW, cap, flng hd            | 2   |
| 33*‡  | 193658 | SPACER, seal                   | 2   |
| 34*   | 114549 | WHEEL, pneumatic               | 1   |
| 35*   | 113471 | SCREW, cap, hex hd             | 1   |
| 36‡   | 241445 | CABLE (includes 38)            | 1   |
| 38‡   | 114802 | STOP, wire                     | 1   |
| 292*‡ | 17H489 | LABEL, disk adjustment         | 1   |
| 483*‡ | 114548 | BEARING, bronze                | 2   |
| 484*‡ | 110754 | SCREW, cap, sch                | 2   |
| 485*‡ | 193662 | STOP, wedge                    | 1   |
| 487*‡ | 15J603 | SPACER, round                  | 1   |
| 488*‡ | 120476 | BOLT, shoulder                 | 1   |
| 489*‡ | 17H486 | DISK, adjuster, assembly       | 1   |
| 490*‡ | 17G762 | SCREW, disk adjuster           | 2   |
| 491*‡ | 113962 | WASHER                         | 1   |
| 492*‡ | 114681 | SCREW, cap, hex hd             | 1   |
| 493*‡ | 17H485 | FORK                           | 1   |
| 494*‡ | 113484 | SEAL, grease                   | 1   |
| 495*‡ | 113485 | BEARING, cup/cone              | 2   |
| 496*‡ | 112776 | WASHER, plain                  | 1   |
| 497*‡ | 181818 | KNOB, pronged                  | 1   |
| 498*‡ | 193661 | JAW                            | 1   |
| 499*‡ | 15G952 | CASTER                         | 1   |
| 500*‡ | 108483 | SCREW, shoulder                | 1   |
| 501*‡ | 193528 | ARM, detent                    | 1   |

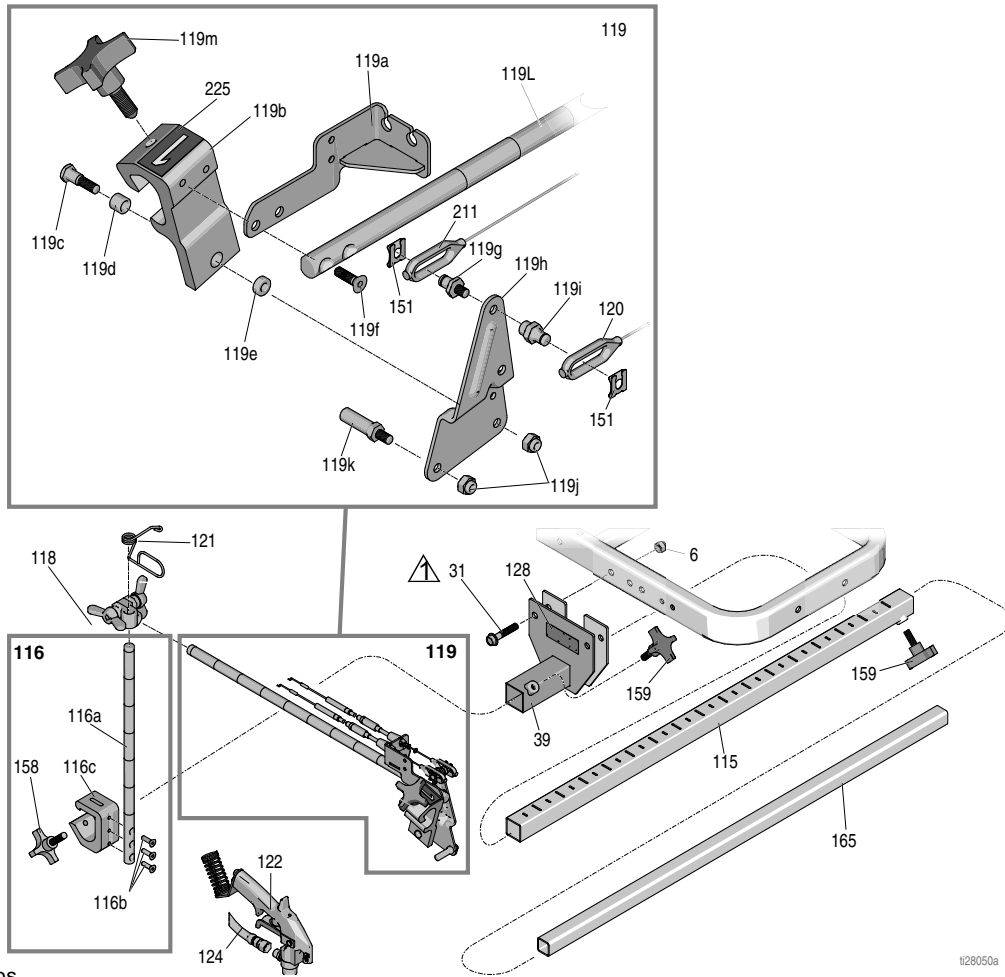
\* Included in Swivel Wheel Repair Kit 240719


‡ Included in Swivel Wheel Repair Kit 241105


## Filter

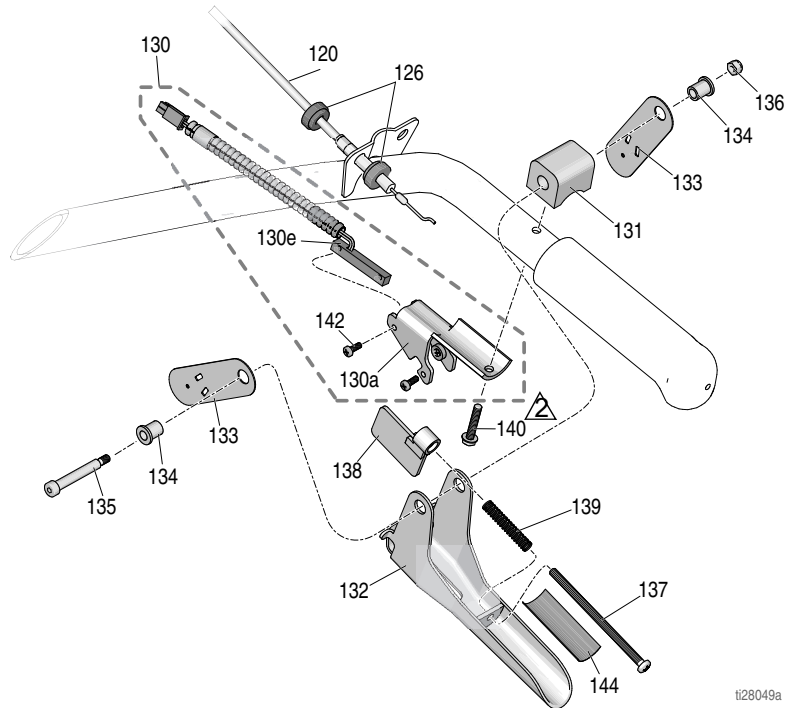
| Ref | Part   | Description                                      | Qty |
|-----|--------|--|-----|
| 51  | 17K166 | MANIFOLD   | 1   |
| 52  | 196179 | FITTING, elbow, street                           | 1   |
| 53  | 287285 | CAP, filter (includes 54, 56)                    | 1   |
| 54  | 15C766 | TUBE, diffusion                                  | 1   |
| 55  | 25A465 | FILTER, fluid                                    | 1   |
| 56  | 117285 | PACKING, o-ring                                  | 1   |
| 57  | 111801 | SCREW, cap, hex hd                               | 2   |
| 58  | 287172 | KIT, repair, transducer                          | 1   |
| 59  | 111457 | O-RING   | 2   |
| 60  | 15G331 | PLUG, pipe                                       | 2   |
| 61  | 245103 | VALVE, drain, assy (includes 63, 65, 66, 67, 68) | 1   |
| 62  | 196178 | ADAPTER, nipple                                  | 1   |
| 63  | 114708 | SPRING, compression                              | 1   |
| 64  | 196181 | FITTING, nipple                                  | 1   |
| 65  | 15G563 | HANDLE, valve                                    | 1   |
| 66  | 116424 | NUT, cap   | 1   |
| 67  | 193709 | SEAT, valve                                      | 1   |
| 68  | 193710 | SEAL, seat, valve                                | 1   |
| 80  | 25A877 | KIT, repair, filter, manifold                    | 1   |

# Parts Drawing - LineLazer V 3900, 5900



 Torque to 17-23 ft-lbs  
(23.0-31.1 N·m)

 Torque to 18-22 in-lbs  
(2.0-2.4 N·m)



# Parts List

## Gun Holder and Arm

| Ref   | Part   | Description  | Qty |
|-------|--------|--|-----|
| 6     | 101566 | NUT, lock  | 2   |
| 31    | 114982 | SCREW, cap, flng hd  | 2   |
| 39    | 17H528 | BRACKET, gun arm   | 1   |
| 115   | 17J407 | ARM, extension, bar  | 1   |
| 116   | 17J424 | BAR, height adjustment, assy                                 | 1   |
| 116a  | 17J139 | BAR, gun, height, adjustment                                 | 1   |
| 116b  | 113428 | SCREW, mach, hex, hd   | 3   |
| 116c  | 17J153 | BRACKET, gun holder  | 1   |
| 118   | 24Y645 | KIT, clamp, double wing nut                                  | 1   |
| 119   | 25A529 | ARM, gun holder, linelazer<br>(includes 151)                 | 1   |
| 119a  | 24Y919 | BRACKET, cable   | 1   |
| 119b* | 15F216 | HOLDER, gun  | 1   |
| 119c  | 17J575 | FASTENER, special  | 1   |
| 119d* | 119664 | BEARING, sleeve  | 1   |
| 119e  | 17J576 | SPACER, special  | 1   |
| 119f  | 119647 | SCREW, cap, socket   | 2   |
| 119g  | 17H673 | STUD, cable, gun   | 1   |
| 119h  | 15F214 | LEVER, actuator  | 1   |
| 119i  | 17H674 | ADAPTER, cable, gun  | 1   |
| 119j  | 102040 | NUT, lock hex  | 2   |
| 119k  | 15F209 | STUD, pull, trigger  | 1   |
| 119l  | 17J145 | ARM, holder, gun   | 1   |
| 119m* | 15F750 | KNOB, holder, gun  | 1   |
| 120   | 25A488 | CABLE, gun, manual (includes<br>126, 151)                    | 1   |
| 121   | 188135 | GUIDE, cable   | 1   |
| 122   | 248157 | GUN, flex, basic   | 1   |
| 128▲  | 16P136 | LABEL, safety, warning, iso                                  | 1   |
| 145   | 245733 | KIT, repair, trigger handle (includes<br>132, 137, 138, 139) | 1   |
| 151   | 126111 | RETAINER, circlip, external, 8mm                             | 2   |
| 158   | 108471 | KNOB, pronged  | 1   |
| 159   | 111145 | KNOB, pronged  | 2   |
| 165   | 17J408 | ARM, extension, third gun                                    | 1   |
| 211   | 25A487 | CABLE, gun, automatic (includes<br>151, 212, 213)            | 1   |
| 225   | 17C043 | LABEL, number "1"  | 1   |
|       | 17C046 | LABEL, number "2"  | 1   |

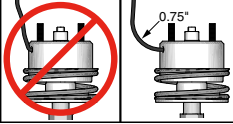
\* Included in Gun Holder Repair Kit 287569



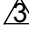
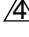
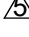
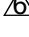
▲ Replacement Warning Labels may be ordered free of charge.

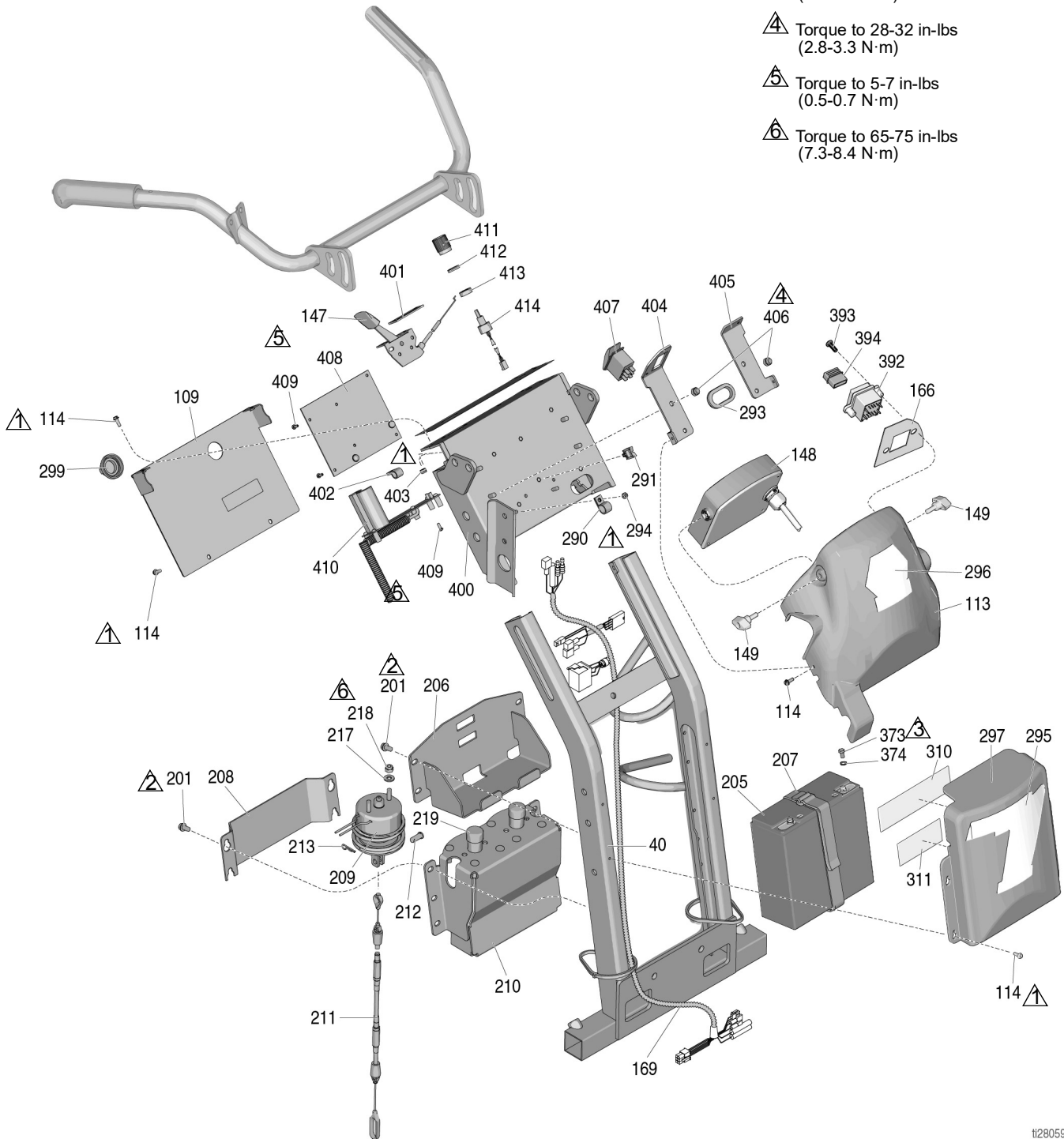
## Gun Trigger

| Ref  | Part   | Description                               | Qty |
|------|--------|---|-----|
| 120  | 25A488 | CABLE, gun, manual (includes<br>126, 151) | 1   |
| 124  | 245798 | HOSE, coupled 1/4" x 7'                   | 1   |
| 126  | 15F624 | NUT, cable, gun (knurled)                 | 2   |
| 130  | 25A636 | BRACKET, trigger w switch                 | 1   |
| 130a | 276907 | BRACKET, magnet                           | 1   |
| 130e | 17J237 | SWITCH, reed                              | 1   |
| 131  | 198896 | BLOCK, mounting                           | 1   |
| 132  | 245676 | HANDLE                                    | 1   |
| 133  | 198895 | PLATE, lever, pivot                       | 2   |
| 134  | 111017 | BEARING, flange                           | 2   |
| 135  | 116941 | SCREW, shoulder, skt hd                   | 1   |
| 136  | 116969 | NUT, lock                                 | 1   |
| 137  | 112381 | SCREW, mach, pan head                     | 1   |
| 138  | 117268 | BRACKET, interrupter                      | 1   |
| 139  | 117269 | SPRING                                    | 1   |
| 140  | 128803 | SCREW, thd forming, hex washer            | 1   |
| 142  | 117317 | SCREW, plastine, pan head                 | 2   |
| 144  | 17K587 | LABEL, notice, adjustment                 | 1   |

# Parts Drawing - LineLazer V 3900, 5900

| <b>NOTICE</b>   |   |
|---|---|
| <p>Do not allow the solenoid wires to make a sharp bend as shown. Doing so may lead to wire breakage. Place an approximate 0.75" radius bend in the wires exiting the solenoid.</p> |  |

-  Torque to 18-22 in-lbs (2.0-2.4 N·m)
-  Torque to 130-150 in-lbs (14.6-16.9 N·m)
-  Torque to 25-30 in-lbs (2.8-3.3 N·m)
-  Torque to 28-32 in-lbs (2.8-3.3 N·m)
-  Torque to 5-7 in-lbs (0.5-0.7 N·m)
-  Torque to 65-75 in-lbs (7.3-8.4 N·m)



1128059



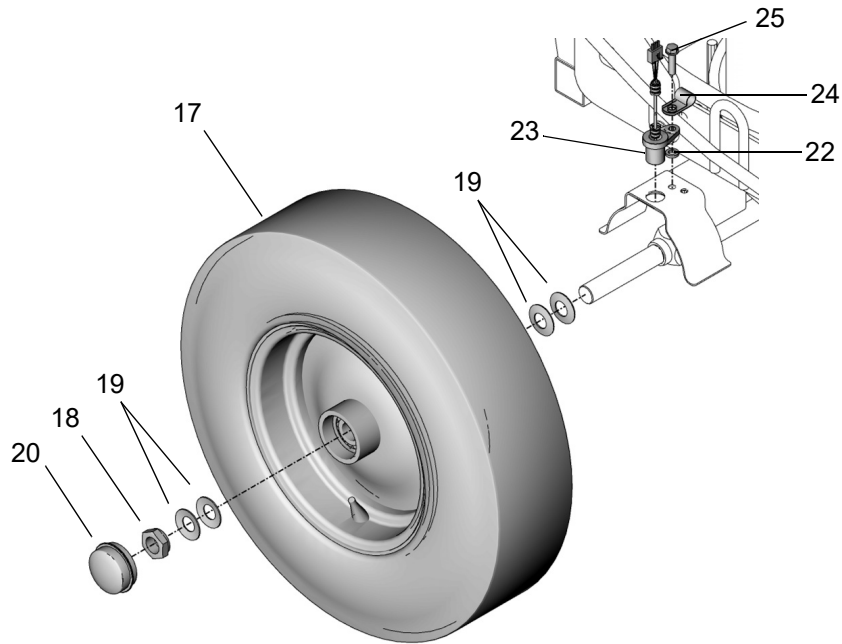
# Parts List

| Ref  | Part   | Description  | Qty | Ref  | Part   | Description  | Qty |
|------|--------|--|-----|------|--------|--|-----|
| 40   | 24Y665 | FRAME, handle upright, painted                           | 1   | 295  | 17K378 | LABEL  | 1   |
| 109  | 17J123 | PLATE, cover   | 1   | 296  | 17K379 | LABEL  | 1   |
| 113  | 17J135 | COVER, control, painted (Series A)                       | 1   | 297  | 17K377 | COVER, battery, painted                                    | 1   |
|      | 17V517 | COVER, control, painted (Series B)                       | 1   | 299  | 17K310 | PLUG, standard series                                      | 1   |
| 114  | 128978 | SCREW, mach, slot hex wash hd                            | 12  | 310  | 17K397 | LABEL  | 1   |
| 147  | 24Y643 | CONTROL, throttle (includes 401, 402, 403)               | 1   | 311  | 17K396 | LABEL  | 1   |
| 148  | 25A498 | BOX, control assembly complete (includes 149) (Series A) | 1   | 373  | 128131 | SCREW  | 2   |
|      | 17W550 | BOX, control assembly complete (includes 149) (Series B) | 1   | 374  | 111307 | WASHER   | 2   |
|      | 25N791 | BOX, control assembly complete (includes 149) (Series C) | 1   | 392  | 17Z084 | KIT, board, assembly (includes 166, 393, 394)              | 1   |
| 149  | 16W408 | KNOB, t-handle, 1/4-20 thd stud                          | 2   | 393  | 17V519 | SCREW, pan hd  | 2   |
| 166  | 17V520 | LABEL, usb   | 1   | 394  | 131718 | COVER, dust, usb   | 2   |
| 169  | 17J514 | WIRE, harness  | 1   | 400  | 24Y642 | CONTROL, plate   | 1   |
| 201* | 107257 | SCREW, thd forming                                       | 10  | 401  | 15F776 | GASKET   | 1   |
| 205* | 24X370 | BATTERY, 22 AH, sealed (includes 373, 374)               | 1   | 402  | 119736 | CLAMP  | 1   |
| 206* | 17H644 | SHELF, battery   | 1   | 403  | 111280 | NUT  | 3   |
| 207* | 126949 | STRAP, battery   | 1   | 404  | 17J128 | BRACKET  | 1   |
| 208* | 17H650 | COVER, solenoid  | 1   | 405  | 17J126 | BRACKET  | 1   |
| 209* | 25A486 | KIT, solenoid (includes 212, 213, 217, 218, 219)         | 1   | 406  | 102040 | NUT  | 4   |
| 210* | 24Y777 | BRACKET  | 1   | 407  | 128783 | SWITCH   | 1   |
| 211* | 25A487 | CABLE, auto (includes 212, 213, 151)                     | 1   | 408  | 25A493 | KIT, main board, standard series (includes 409) (Series B) | 1   |
| 212* | 128711 | PIN  | 1   |      | 25A494 | KIT, main board, hp auto series (includes 409) (Series B)  | 1   |
| 213* | 15R598 | CLIP   | 1   |      | 25N788 | KIT, main board, standard series (includes 409) 9Series C) | 1   |
| 217* | 110755 | WASHER   | 2   |      | 25N789 | KIT, main board, HP auto series (includes 409) (Series C)  | 1   |
| 218* | 121114 | NUT  | 2   | 409  | 106520 | SCREW  | 11  |
| 219* | 128712 | CAP  | 2   | 410* | 25A495 | KIT, charger board (includes 409)                          | 1   |
| 290  | 128856 | CLAMP, cable, nylon, 1/2"                                | 2   | 411  | 116167 | KNOB   | 1   |
| 291  | 114687 | CLIP, retainer   | 2   | 412  | 15C973 | GASKET   | 1   |
| 293  | 17H701 | GROMMET, oval  | 1   | 413  | 198650 | SPACER   | 1   |
| 294  | 115483 | NUT, lock  | 2   | 414  | 256219 | POTENTIOMETER  | 1   |

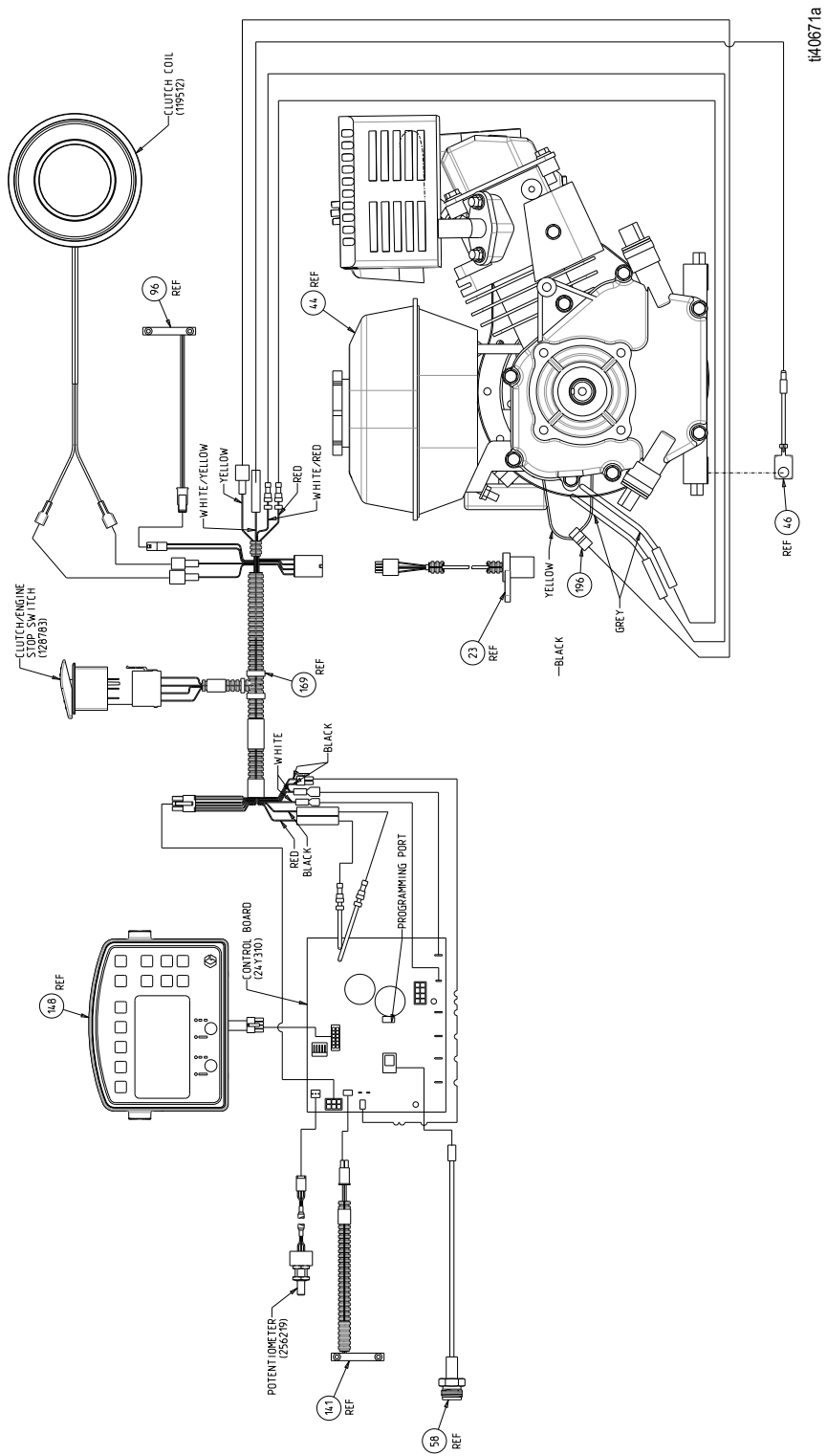
\* HP Auto Series Only

# Distance Sensor Replacement

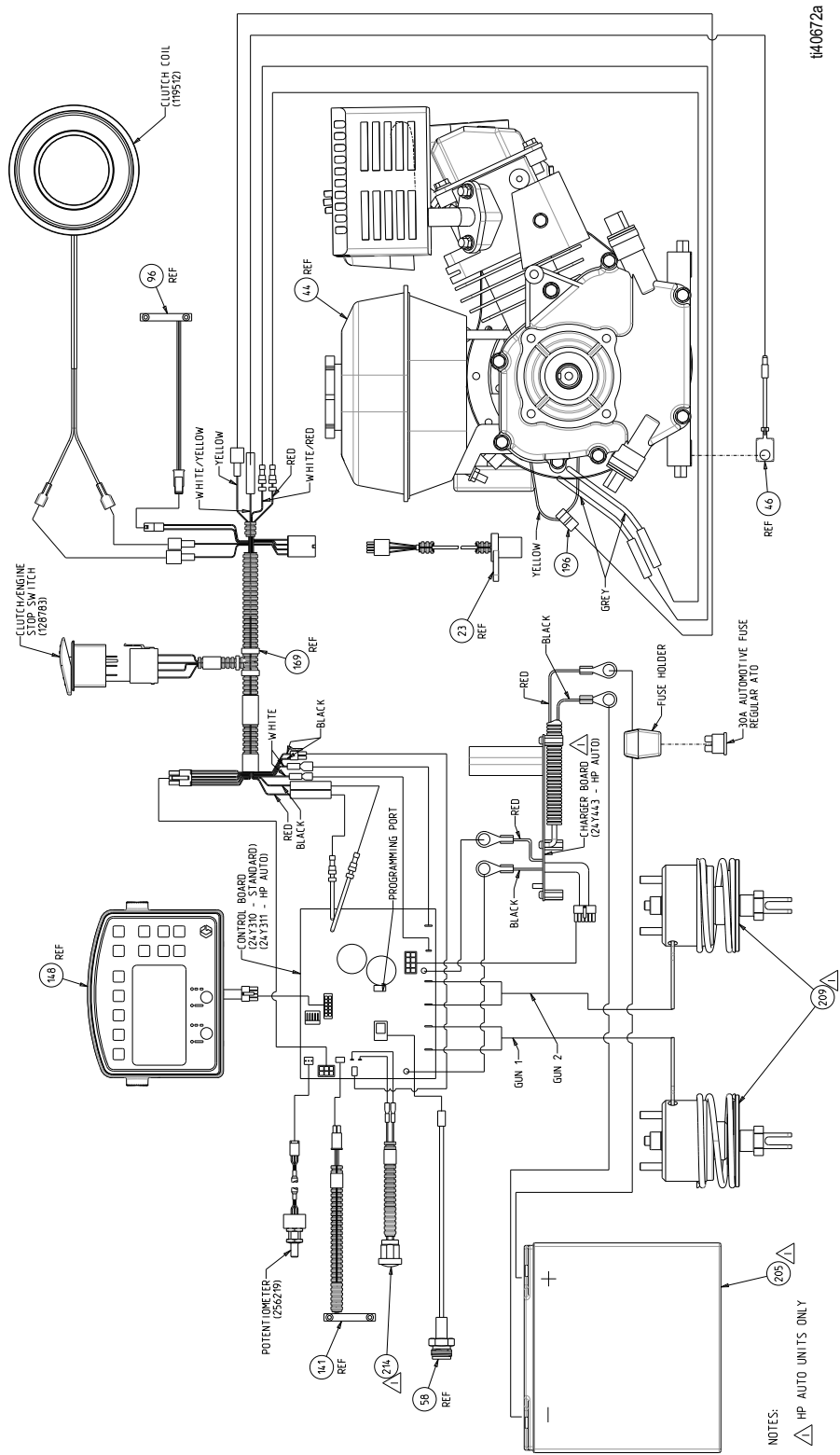
1. Remove wheel (17) from LineLazer.
2. Remove screw (25), wire clamp (24) and distance sensor (23).
3. Install new distance sensor (23) with wire clamp (24) and screw (25).
4. Install wheel (17) on LineLazer.



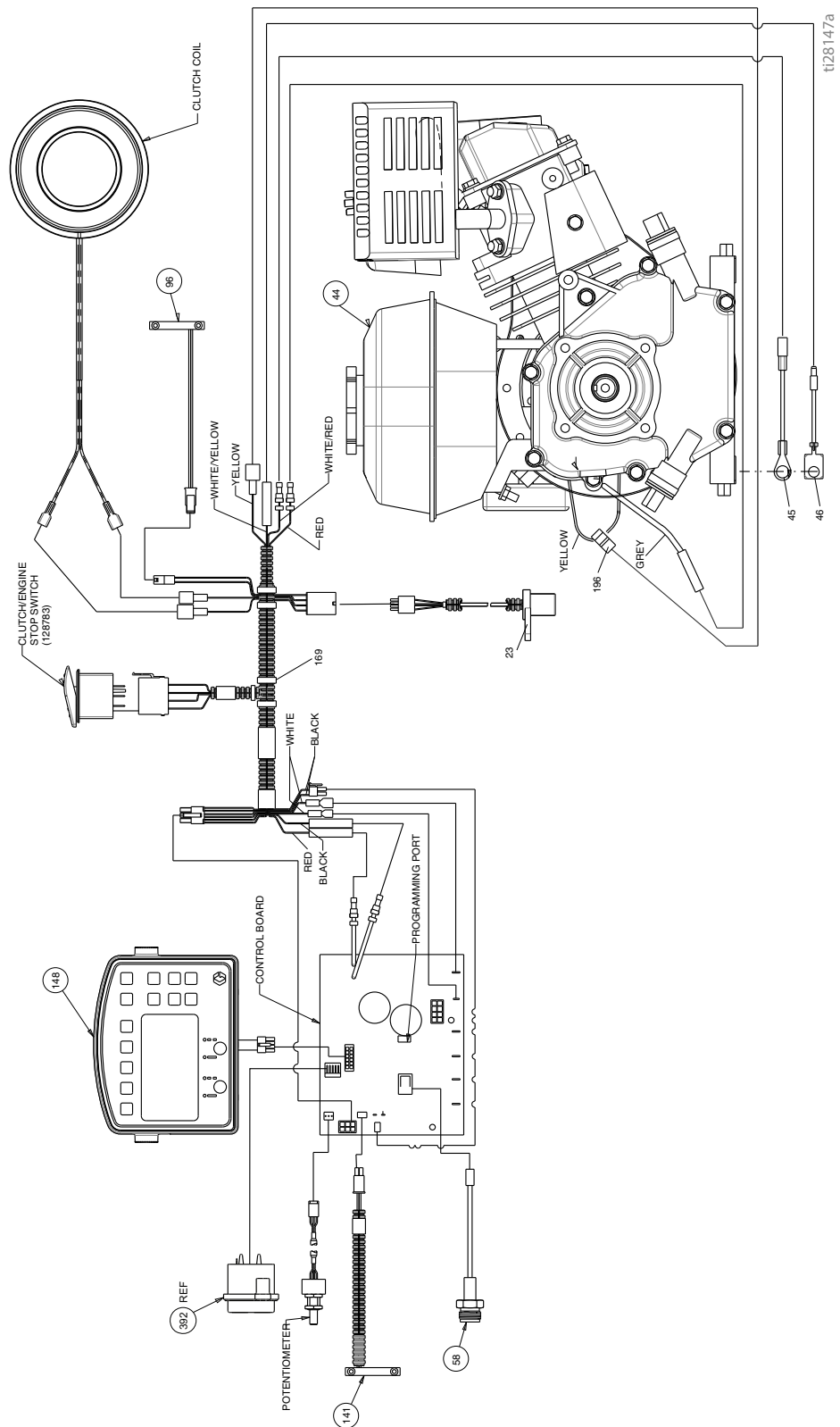
# Wiring Diagram (Standard Series - China only)



# Wiring Diagram (HP Auto Series - China only)



# Wiring Diagram (Standard Series)





# Technical Specifications

| LineLazer V 3900 Standard Series (Models 25P330)            |  |  |
|---|--|--|
|   | U.S.   | Metric   |
| <b>Dimensions</b>   |  |  |
| Height (with handle bar down)                               | Unpackaged - 44.5 in.<br>Packaged - 52.5 in.   | Unpackaged - 113.03 cm<br>Packaged - 133.35 cm |
| Width   | Unpackaged - 34.25 in.<br>Packaged - 37.0 in.  | Unpackaged - 86.99 cm<br>Packaged - 93.98 cm   |
| Length (with platform down)                                 | Unpackaged - 68.75 in.<br>Packaged - 73.50 in. | Unpackaged - 174.63 cm<br>Packaged - 186.69 cm |
| Weight (dry - no paint)                                     | Unpackaged - 235 lbs<br>Packaged - 302 lbs     | Unpackaged - 106 kg<br>Packaged - 137 kg       |
| <b>Noise (dBa)</b>  |  |  |
| Sound Power per ISO 9614:                                   | 95.6   |  |
| Sound Pressure per ISO 9614:                                | 85.5   |  |
| <b>Vibration (m/s<sup>2</sup>) (8 hours daily exposure)</b> |  |  |
| Hand Arm (per ISO 5349)                                     | Left hand 3.73<br>Right hand 2.06              |  |
| Whole Body (per ISO 2631)                                   | 0.4  |  |
| <b>Power Rating (Horse Power)</b>                           |  |  |
| Power Rating (Horse Power) per SAE J1349                    | 5.5 HP @ 3600 rpm                              | 4.1 kW @ 3600 rpm                              |
| Maximum Delivery  | 1.25 gpm                                       | 4.7 lpm  |
| Maximum Tip Size<br>1 gun<br>2 gun                          | .036<br>.025                                   |  |
| Inlet paint strainer  | 16 mesh  | 1190 micron                                    |
| Outlet paint strainer                                       | 50 mesh  | 297 micron                                     |
| Pump inlet size   | 1 in. NSPM (m)                                 |  |
| Pump outlet size  | 3/8 NPT (f)                                    |  |
| Maximum working pressure                                    | 3300 psi                                       | 228 bar, 22.8 MPa                              |
| Electrical Capacity   | 50 W @ 3600 rpm                                |  |
| Starting Battery  | 12V, 22Ah, Sealed lead acid, Deep cycle        |  |

Wetted Parts: PTFE, Nylon, polyurethane, V-Max, UHM-WPE, fluoroelastomer, acetal, leather, tungsten carbide, stainless steel, chrome plating, nickel-plated carbon steel, ceramic

| <b>LineLazer V 3900 Standard Series (Models 17H449, 17H450)</b> |   |  |
|---|---|--|
|   | <b>U.S.</b>                                   | <b>Metric</b>                                  |
| <b>Dimensions</b>   |   |  |
| Height  | Unpackaged - 44.5 in.<br>Packaged - 52.5 in.  | Unpackaged - 113.03 cm<br>Packaged - 133.35 cm |
| Width   | Unpackaged - 34.25 in.<br>Packaged - 37.0 in. | Unpackaged - 86.99 cm<br>Packaged - 93.98 cm   |
| Length  | Unpackaged - 68.75 in.<br>Packaged - 73.5 in. | Unpackaged - 174.63 cm<br>Packaged - 186.69 cm |
| Weight (dry - no paint)   | Unpackaged - 230 lbs<br>Packaged - 297 lbs    | Unpackaged - 104 kg<br>Packaged - 135 kg       |
| <b>Noise (dBa)</b>  |   |  |
| Sound Power per ISO 9614:                                       | 95.6  |  |
| Sound Pressure per ISO 9614:                                    | 85.5  |  |
| <b>Vibration (m/s<sup>2</sup>) (8 hours daily exposure)</b>     |   |  |
| Hand Arm (per ISO 5349)   | Left hand 3.73<br>Right hand 2.06             |  |
| Whole Body (per ISO 2631)                                       | 0.4   |  |
| <b>Power Rating (Horse Power)</b>                               |   |  |
| Power Rating (Horse Power) per SAE J1349                        | 4.0 HP @ 3600 rpm                             | 2.9 kW @ 3600 rpm                              |
| Maximum Delivery  | 1.25 gpm                                      | 4.7 lpm  |
| Maximum Tip Size<br>1 gun<br>2 gun                              | .036<br>.025                                  |  |
| Inlet paint strainer  | 16 mesh                                       | 1190 micron                                    |
| Outlet paint strainer   | 50 mesh                                       | 297 micron                                     |
| Pump inlet size   | 1 in. NSPM (m)                                |  |
| Pump outlet size  | 3/8 NPT (f)                                   |  |
| Maximum working pressure  | 3300 psi                                      | 228 bar, 22.8 MPa                              |
| Electrical Capacity   | 50 W@ 3600 rpm                                |  |
| Battery (optional)  | 12V, 22Ah, Sealed lead acid, Deep cycle       |  |

Wetted Parts: PTFE, Nylon, polyurethane, V-Max, UHM-WPE, fluoroelastomer, acetal, leather, tungsten carbide, stainless steel, chrome plating, nickel-plated carbon steel, ceramic



| <b>LineLazer V 5900 Standard Series (Models 17H454, 17H455)</b> |  |  |
|---|--|--|
|   | <b>U.S.</b>                                    | <b>Metric</b>                                  |
| <b>Dimensions</b>   |  |  |
| Height (with handle bar down)                                   | Unpackaged - 44.5 in.<br>Packaged - 52.5 in.   | Unpackaged - 113.03 cm<br>Packaged - 133.35 cm |
| Width   | Unpackaged - 34.25 in.<br>Packaged - 37.0 in.  | Unpackaged - 86.99 cm<br>Packaged - 93.98 cm   |
| Length (with platform down)                                     | Unpackaged - 68.75 in.<br>Packaged - 73.50 in. | Unpackaged - 174.63 cm<br>Packaged - 186.69 cm |
| Weight (dry - no paint)   | Unpackaged - 250 lbs<br>Packaged - 317 lbs     | Unpackaged - 113 kg<br>Packaged - 144 kg       |
| <b>Noise (dBa)</b>  |  |  |
| Sound Power per ISO 9614:                                       | 97.6   |  |
| Sound Pressure per ISO 9614:                                    | 87.1   |  |
| <b>Vibration (m/s<sup>2</sup>) (8 hours daily exposure)</b>     |  |  |
| Hand Arm (per ISO 5349)   | Left hand 3.65<br>Right hand 3.72              |  |
| Whole Body (per ISO 2631)                                       | 0.4  |  |
| <b>Power Rating (Horse Power)</b>                               |  |  |
| Power Rating (Horse Power) per SAE J1349                        | 5.5 HP @ 3600 rpm                              | 4.1 kW @ 3600 rpm                              |
| Maximum Delivery  | 1.6 gpm  | 6.0 lpm  |
| Maximum Tip Size  |  |  |
| 1 gun   | .043   |  |
| 2 gun   | .029   |  |
| Inlet paint strainer  | 16 mesh  | 1190 micron                                    |
| Outlet paint strainer   | 50 mesh  | 297 micron                                     |
| Pump inlet size   | 1 in. NSPM (m)                                 |  |
| Pump outlet size  | 3/8 NPT (f)                                    |  |
| Maximum working pressure  | 3300 psi                                       | 228 bar, 22.8 MPa                              |
| Electrical Capacity   | 84 W @ 3600 rpm                                |  |
| Battery   | 12V, 22Ah, Sealed lead acid, Deep cycle        |  |

Wetted Parts: PTFE, Nylon, polyurethane, V-Max, UHM-WPE, fluoroelastomer, acetal, leather, tungsten carbide, stainless steel, chrome plating, nickel-plated carbon steel, ceramic

| <b>LineLazer V 3900 HP Auto Series (Models 25P332, 25P333)</b> |  |  |
|--|--|--|
|  | <b>U.S.</b>                                    | <b>Metric</b>                                  |
| <b>Dimensions</b>  |  |  |
| Height (with handle bar down)                                  | Unpackaged - 44.5 in.<br>Packaged - 52.5 in.   | Unpackaged - 113.03 cm<br>Packaged - 133.35 cm |
| Width  | Unpackaged - 34.25 in.<br>Packaged - 37.0 in.  | Unpackaged - 86.99 cm<br>Packaged - 93.98 cm   |
| Length (with platform down)                                    | Unpackaged - 68.75 in.<br>Packaged - 73.50 in. | Unpackaged - 174.63 cm<br>Packaged - 186.69 cm |
| Weight (dry - no paint)  | Unpackaged - 245 lbs<br>Packaged - 312 lbs     | Unpackaged - 111 kg<br>Packaged - 141 kg       |
| <b>Noise (dBa)</b>   |  |  |
| Sound Power per ISO 9614:                                      | 95.6   |  |
| Sound Pressure per ISO 9614:                                   | 85.5   |  |
| <b>Vibration (m/s<sup>2</sup>) (8 hours daily exposure)</b>    |  |  |
| Hand Arm (per ISO 5349)  | Left hand 3.73<br>Right hand 2.06              |  |
| Whole Body (per ISO 2631)                                      | 0.4  |  |
| <b>Power Rating (Horse Power)</b>                              |  |  |
| Power Rating (Horse Power) per SAE J1349                       | 5.5 HP @ 3600 rpm                              | 4.1 kW @ 3600 rpm                              |
| Maximum Delivery   | 1.25 gpm                                       | 4.7 lpm  |
| Maximum Tip Size   |  |  |
| 1 gun  | .036   |  |
| 2 gun  | .025   |  |
| Inlet paint strainer   | 16 mesh  | 1190 micron                                    |
| Outlet paint strainer  | 50 mesh  | 297 micron                                     |
| Pump inlet size  | 1 in. NSPM (m)                                 |  |
| Pump outlet size   | 3/8 NPT (f)                                    |  |
| Maximum working pressure                                       | 3300 psi                                       | 228 bar, 22.8 MPa                              |
| Electrical Capacity  | 50 W @ 3600 rpm                                |  |
| Starting Battery   | 12V, 22Ah, Sealed lead acid, Deep cycle        |  |

Wetted Parts: PTFE, Nylon, polyurethane, V-Max, UHM-WPE, fluoroelastomer, acetal, leather, tungsten carbide, stainless steel, chrome plating, nickel-plated carbon steel, ceramic

| <b>LineLazer V 3900 HP Auto Series (Models 17K577, 17H451, 17K638, 17H452, 17K579, 17H453)</b> |  |  |
|--|--|--|
|  | <b>U.S.</b>                                    | <b>Metric</b>                                  |
| <b>Dimensions</b>  |  |  |
| Height (with handle bar down)  | Unpackaged - 44.5 in.<br>Packaged - 52.5 in.   | Unpackaged - 113.03 cm<br>Packaged - 133.35 cm |
| Width  | Unpackaged - 34.25 in.<br>Packaged - 37.0 in.  | Unpackaged - 86.99 cm<br>Packaged - 93.98 cm   |
| Length (with platform down)  | Unpackaged - 68.75 in.<br>Packaged - 73.50 in. | Unpackaged - 174.63 cm<br>Packaged - 186.69 cm |
| Weight (dry - no paint)  | Unpackaged - 240 lbs<br>Packaged - 307 lbs     | Unpackaged - 109 kg<br>Packaged - 139 kg       |
| <b>Noise (dBa)</b>   |  |  |
| Sound Power per ISO 9614:  | 95.6   |  |
| Sound Pressure per ISO 9614:   | 85.5   |  |
| <b>Vibration (m/s<sup>2</sup>) (8 hours daily exposure)</b>                                    |  |  |
| Hand Arm (per ISO 5349)  | Left hand 3.73<br>Right hand 2.06              |  |
| Whole Body (per ISO 2631)  | 0.4  |  |
| <b>Power Rating (Horse Power)</b>  |  |  |
| Power Rating (Horse Power) per SAE J1349   | 4.0 HP @ 3600 rpm                              | 2.9 kW @ 3600 rpm                              |
| Maximum Delivery   | 1.25 gpm                                       | 4.7 lpm  |
| Maximum Tip Size<br>1 gun<br>2 gun   | .036<br>.025                                   |  |
| Inlet paint strainer   | 16 mesh  | 1190 micron                                    |
| Outlet paint strainer  | 50 mesh  | 297 micron                                     |
| Pump inlet size  | 1 in. NSPM (m)                                 |  |
| Pump outlet size   | 3/8 NPT (f)                                    |  |
| Maximum working pressure   | 3300 psi                                       | 228 bar, 22.8 MPa                              |
| Electrical Capacity  | 50 W @ 3600 rpm                                |  |
| Starting Battery   | 12V, 22Ah, Sealed lead acid, Deep cycle        |  |

Wetted Parts: PTFE, Nylon, polyurethane, V-Max, UHM-WPE, fluoroelastomer, acetal, leather, tungsten carbide, stainless steel, chrome plating, nickel-plated carbon steel, ceramic

| <b>LineLazer V 5900 HP Auto Series (Models 17K580, 17H456, 17K636, 17H457, 17K581, 17H458)</b> |  |  |
|--|--|--|
|  | <b>U.S.</b>                                    | <b>Metric</b>                                  |
| <b>Dimensions</b>  |  |  |
| Height (with handle bar down)  | Unpackaged - 44.5 in.<br>Packaged - 52.5 in.   | Unpackaged - 113.03 cm<br>Packaged - 133.35 cm |
| Width  | Unpackaged - 34.25 in.<br>Packaged - 37.0 in.  | Unpackaged - 86.99 cm<br>Packaged - 93.98 cm   |
| Length (with platform down)  | Unpackaged - 68.75 in.<br>Packaged - 73.50 in. | Unpackaged - 174.63 cm<br>Packaged - 186.69 cm |
| Weight (dry - no paint)  | Unpackaged - 266 lbs<br>Packaged - 333 lbs     | Unpackaged - 121 kg<br>Packaged - 151 kg       |
| <b>Noise (dBa)</b>   |  |  |
| Sound Power per ISO 9614:  | 97.6   |  |
| Sound Pressure per ISO 9614:   | 87.1   |  |
| <b>Vibration (m/s<sup>2</sup>) (8 hours daily exposure)</b>                                    |  |  |
| Hand Arm (per ISO 5349)  | Left hand 3.65<br>Right hand 3.72              |  |
| Whole Body (per ISO 2631)  | 0.4  |  |
| <b>Power Rating (Horse Power)</b>  |  |  |
| Power Rating (Horse Power) per SAE J1349   | 5.5 HP @ 3600 rpm                              | 4.1 kW @ 3600 rpm                              |
| Maximum Delivery   | 1.6 gpm  | 6.0 lpm  |
| Maximum Tip Size   |  |  |
| 1 gun  | .043   |  |
| 2 gun  | .029   |  |
| Inlet paint strainer   | 16 mesh  | 1190 micron                                    |
| Outlet paint strainer  | 50 mesh  | 297 micron                                     |
| Pump inlet size  | 1 in. NSPM (m)                                 |  |
| Pump outlet size   | 3/8 NPT (f)                                    |  |
| Maximum working pressure   | 3300 psi                                       | 228 bar, 22.8 MPa                              |
| Electrical Capacity  | 84 W @ 3600 rpm                                |  |
| Starting Battery   | 12V, 22Ah, Sealed lead acid, Deep cycle        |  |

Wetted Parts: PTFE, Nylon, polyurethane, V-Max, UHM-WPE, fluoroelastomer, acetal, leather, tungsten carbide, stainless steel, chrome plating, nickel-plated carbon steel, ceramic

# Graco Standard Warranty

Graco warrants all equipment referenced in this document which is manufactured by Graco and bearing its name to be free from defects in material and workmanship on the date of sale to the original purchaser for use. With the exception of any special, extended, or limited warranty published by Graco, Graco will, for a period of twelve months from the date of sale, repair or replace any part of the equipment determined by Graco to be defective. This warranty applies only when the equipment is installed, operated and maintained in accordance with Graco's written recommendations.

This warranty does not cover, and Graco shall not be liable for general wear and tear, or any malfunction, damage or wear caused by faulty installation, misapplication, abrasion, corrosion, inadequate or improper maintenance, negligence, accident, tampering, or substitution of non-Graco component parts. Nor shall Graco be liable for malfunction, damage or wear caused by the incompatibility of Graco equipment with structures, accessories, equipment or materials not supplied by Graco, or the improper design, manufacture, installation, operation or maintenance of structures, accessories, equipment or materials not supplied by Graco.

This warranty is conditioned upon the prepaid return of the equipment claimed to be defective to an authorized Graco distributor for verification of the claimed defect. If the claimed defect is verified, Graco will repair or replace free of charge any defective parts. The equipment will be returned to the original purchaser transportation prepaid. If inspection of the equipment does not disclose any defect in material or workmanship, repairs will be made at a reasonable charge, which charges may include the costs of parts, labor, and transportation.

**THIS WARRANTY IS EXCLUSIVE, AND IS IN LIEU OF ANY OTHER WARRANTIES, EXPRESS OR IMPLIED, INCLUDING BUT NOT LIMITED TO WARRANTY OF MERCHANTABILITY OR WARRANTY OF FITNESS FOR A PARTICULAR PURPOSE.**

Graco's sole obligation and buyer's sole remedy for any breach of warranty shall be as set forth above. The buyer agrees that no other remedy (including, but not limited to, incidental or consequential damages for lost profits, lost sales, injury to person or property, or any other incidental or consequential loss) shall be available. Any action for breach of warranty must be brought within two (2) years of the date of sale.

**GRACO MAKES NO WARRANTY, AND DISCLAIMS ALL IMPLIED WARRANTIES OF MERCHANTABILITY AND FITNESS FOR A PARTICULAR PURPOSE, IN CONNECTION WITH ACCESSORIES, EQUIPMENT, MATERIALS OR COMPONENTS SOLD BUT NOT MANUFACTURED BY GRACO.** These items sold, but not manufactured by Graco (such as electric motors, switches, hose, etc.), are subject to the warranty, if any, of their manufacturer. Graco will provide purchaser with reasonable assistance in making any claim for breach of these warranties.

In no event will Graco be liable for indirect, incidental, special or consequential damages resulting from Graco supplying equipment hereunder, or the furnishing, performance, or use of any products or other goods sold hereto, whether due to a breach of contract, breach of warranty, the negligence of Graco, or otherwise.

## **FOR GRACO CANADA CUSTOMERS**

The Parties acknowledge that they have required that the present document, as well as all documents, notices and legal proceedings entered into, given or instituted pursuant hereto or relating directly or indirectly hereto, be drawn up in English. Les parties reconnaissent avoir convenu que la rédaction du présente document sera en Anglais, ainsi que tous documents, avis et procédures judiciaires exécutés, donnés ou intentés, à la suite de ou en rapport, directement ou indirectement, avec les procédures concernées.

## **POUR LES CLIENTS DE GRACO PARLANT FRANCAIS**

Les parties reconnaissent avoir convenu que la rédaction du présent document ainsi que de tous les documents, avis et procédures judiciaires exécutés, donnés ou intentés à la suite de ou en rapport, directement ou indirectement, avec les procédures concernées, sera en anglais.

## **ADDITIONAL WARRANTY COVERAGE**

Graco does provide extended warranty and wear warranty for products described in the "Graco Contractor Equipment Warranty Program".

# Graco Information

For the latest information about Graco products, visit [www.graco.com](http://www.graco.com).

For patent information, see [www.graco.com/patents](http://www.graco.com/patents).

**TO PLACE AN ORDER**, contact your Graco distributor or call 1-800-690-2894 to identify the nearest distributor.

|                              |   |
|------------------------------|---|
| Storage Time                 | Indefinite as long as parts/components are replaced according to Storage Maintenance schedule and storage procedures specified in manual are followed.  |
| Storage Maintenance          | Replace leather packings and pressure control every 5 years.  |
| Lifetime                     | Lifetime varies with use, materials sprayed, storage methods, and maintenance. Life minimum is 25 years.  |
| Lifetime Service Maintenance | Replace leather packings and pressure control every 5 years or less based on use.   |
| End of Life Disposal         | If the sprayer is in a condition that it can no longer operate, the sprayer should be taken out of service and dismantled. Individual parts should be sorted by material and disposed of properly. Key construction materials can be found in the Materials of Construction Section. Electronic components are RoHS compliant and should be disposed of properly. |

| Graco Date Code/Serial Code           | Month (First Character) | Year (2nd and 3rd Characters) | Series (4th Character)    | Part Number (5th-10th Characters) | Series (11th-16th Characters)    |
|---------------------------------------|-------------------------|-------------------------------|---------------------------|-----------------------------------|----------------------------------|
| Example Date Code: A16A               | A = January             | 16 = 2016                     | A = serial control number |                                   |                                  |
| Example Serial Code: L16A232749000102 | L = December            | 16 = 2016                     | A = serial control number | 6 digit alphanumeric part number  | 6 digit sequential serial number |

*All written and visual data contained in this document reflects the latest product information available at the time of publication. Graco reserves the right to make changes at any time without notice.*

Original instructions. This manual contains English. MM 3A3389

**Graco Headquarters:** Minneapolis

**International Offices:** Belgium, China, Japan, Korea

**GRACO INC. AND SUBSIDIARIES • P.O. BOX 1441 • MINNEAPOLIS MN 55440-1441 • USA**  
**Copyright 2016, Graco Inc. All Graco manufacturing locations are registered to ISO 9001.**

[www.graco.com](http://www.graco.com)

Revision K, January 2022