

# 90 Degree Adapter Kit

3A4099B

EN

**For installing the 90° air inlet fitting into the solenoid valve on InvisiPac® GM100™ Plug-Free Hot Melt Applicator.**

**Kit No. 17M319**

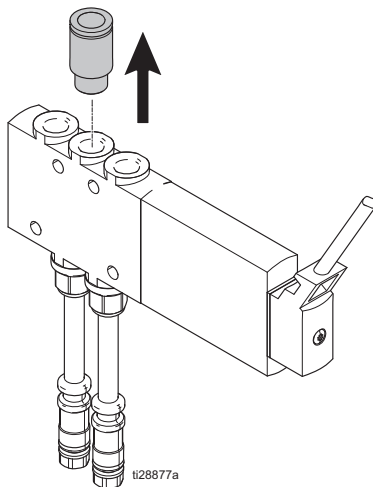


## Important Safety Instructions

Read all warnings and instructions in the GM100 Instructions manual. Save all instructions.

Use this kit to install a 90° push-to-connect air inlet fitting where needed to connect the air supply tubing to the hot melt applicator.

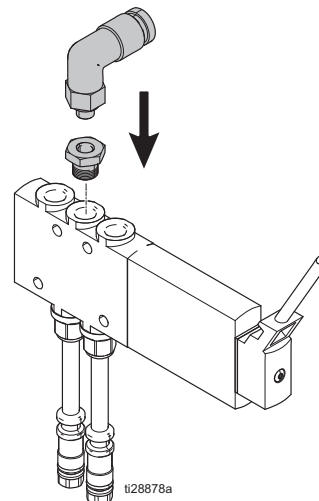
**Step 1:** Remove and discard the existing air inlet fitting.



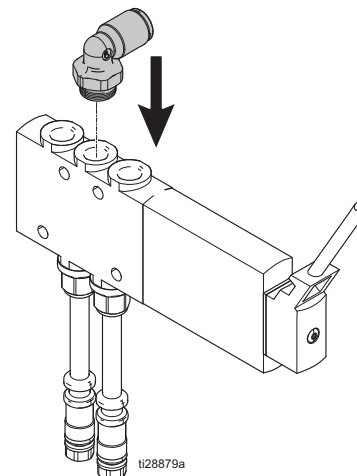
**NOTE:** Follow Step 2 (Standard Only) if you have a standard 1/4 in. air line. If you have a metric 6mm air line follow Step 2 (Metric Only).

This kit contains two different 90° fittings. Be sure to use the correct fitting (standard or metric) for your system.

**Step 2 (Standard Only):** Install adapter (17L982) into the solenoid valve. Then install 90° fitting (126474) into the adapter.



**Step 2 (Metric Only):** Install 90° fitting (129174) directly into the solenoid valve. Adapter (17L982) is not needed and can be thrown away.



# Graco Information

## Sealant and Adhesive Dispensing Equipment

For the latest information about Graco products, visit [www.graco.com](http://www.graco.com).

For patent information, see [www.graco.com/patents](http://www.graco.com/patents).

**TO PLACE AN ORDER**, contact your Graco distributor, go to [www.graco.com](http://www.graco.com) and select “Where to Buy” in the top blue bar, or call to find the nearest distributor.

***If calling from the US: 800-746-1334***

***If calling from outside the US: 0-1-330-966-3000***

*All written and visual data contained in this document reflects the latest product information available at the time of publication. Graco reserves the right to make changes at any time without notice.*

Original instructions. This manual contains English. MM 3A4099

**Graco Headquarters:** Minneapolis

**International Offices:** Belgium, China, Japan, Korea

**GRACO INC. AND SUBSIDIARIES • P.O. BOX 1441 • MINNEAPOLIS MN 55440-1441 • USA**  
Copyright 2016, Graco Inc. All Graco manufacturing locations are registered to ISO 9001.

[www.graco.com](http://www.graco.com)

Revision B, February 2017