

Proximity Switch

Single control PNP proximity switch used to detect lubrication cycles. (For use as an NPN Proximity Switch, see related manuals.)

Not approved for use in European explosive atmosphere locations.

Part Nos.:

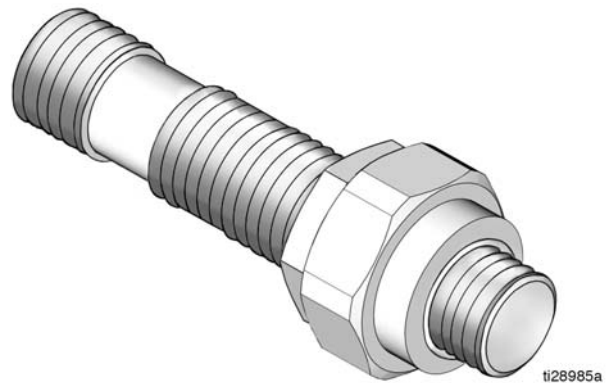
17L879 -M11 x 1 Proximity Switch fits CSP Divider Valve
 5075 psi (35 MPa, 350 bar) Maximum Working Pressure

17L880 - 3/4-16 Proximity Switch fits MXP Divider Valve
 8000 psi (55.16 MPa, 551.6 bar) Maximum Working Pressure

17L983 - 7/16-20 Proximity Switch fits MSP Divider Valve
 7500 psi (51.71 MPa, 517.1 bar) Maximum Working Pressure

17L881 - 1-3/8-16 Proximity Switch fits MGO Divider Valve
 6000 psi (41.4 MPa, 413.7 bar) Maximum Working Pressure

17M380 - 1/8 NPS Proximity Switch fits MD/MJ Divider Valve
 3000 psi (20.68 MPa, 206.8 bar) Maximum Working Pressure



Related Manuals

Manual No.	Manual Title
3A4481	Proximity Switch Cable



Important Safety Instructions

Read all warnings and instructions in this manual and the instructions included with your operating system or pump. Save these instructions.

Installation



SKIN INJECTION HAZARD

High-pressure fluid from dispense valve, hose leaks, or ruptured components will pierce skin. This may look like just a cut, but it is a serious injury that can result in amputation. **Get immediate surgical treatment.**

- Do not point dispense valve at anyone or at any part of the body.
- Do not put your hand over the dispense nozzle.
- Do not stop or deflect leaks with your hand, body, glove, or rag.
- Follow **Pressure Relief Procedure** when you stop dispensing and before cleaning, checking, or servicing equipment.

1. Disconnect power.
2. **Relieve pressure.** See Pressure Relief Procedure in the pump instruction manual included with your operating system.
3. Remove plug or proximity switch from the divider block piston port you will be using to install the proximity switch.
4. Screw the proximity switch into the port. Torque to tighten. See Torque Table for the correct Torque value for your switch.

Torque Table

Part No.	Fits Divider Valve	Thread Size	Torque Value	
			ft-lbs	N•m
17L879	CSP	M11 x 1	7-10	9.5 - 13.5
17L880	MXP	3/4 - 16	46 - 50	62.4 - 67.8
17L983	MSP	7/16-20	6 - 8	8.1 - 10.9
17L881	MGO	1-3/8 - 16	70 - 75	95 - 102
17M380	MD/MJ	1/8 NPS	5 - 7	6.8 - 9.5

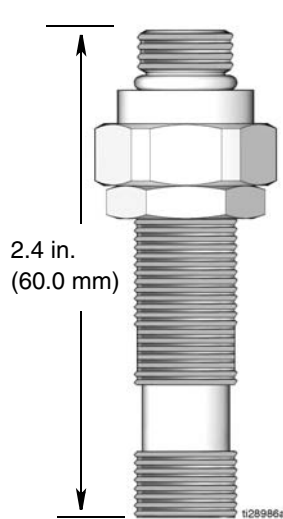
5. If an adapter cable is used, attach the proper connector to the existing cable. Continue instructions with Step 8.
6. If using the M12 wireable cable (sold separately), connect the signal wire to lube system controller.
7. Attach the power wires to the power source.
8. Screw the M12 connector into the proximity switch.
9. If optional LED cables are used: verify the yellow status indicator LED illuminates when the switch is activated and there is power supplied to the switch.

NOTICE

- Electrical ratings must not be exceeded. Overload on a switch can cause switch to fail on the first cycle.
- Never exceed pressure limits. Unit can be operated up to maximum pressure.

Wiring and Dimensions

Dimensions



Wiring Diagram, from switch end

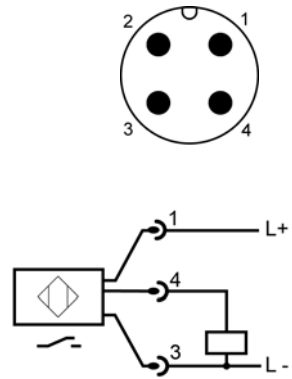


FIG. 1

Technical Data

	US	Metric
Electrical Design	DC PNP	
Output	Normally open	
Operating Voltage	9.6 - 32 DC	
Short-Circuit Protection	Pulsed	
Maximum Operating Pressure		
Model 17L879	5,075 psi	35 MPa (350 bar)
Model 17L880	8,000 psi	55.16 MPa (551.6 bar)
Model 17L983	7,500 psi	51.76 MPa (517.6 bar)
Model 17L881	6,000 psi	41.4 MPa, (413.7 bar)
Model 17M380	3,000 psi	20.68 MPa (206.8 bar)
Current Rating	500 mA	
Voltage Drop	<2.0 V	
Current Consumption	<25 mA	
Maximum Switching Frequency	100 Hz	
Protection	IP65, IP68, IP69	
Insulation Resistance	>100 (500 V DC)	
Shock Resistance	DIN IEC 68-2-27: 50 g (11 ms)	
Vibration Resistance	DIN IEC 68-2-6: 20 g (10...2000 Hz)	
Switching Cycles	50 million	
Connection	M12	
EMC		
EN61000-4-2 ESD	4 kV CD/8 kV AD	
EN61000-4-3 HF radiated	10 V/m	
EN61000-4-4 Burst	2 kV	
EN61000-4-6 HF conducted	10 V	
Sensing range	1.8 mm (f)	
Wetted Parts	stainless steel, 316L/1.4404, 304 stainless steel	
Housing Materials	PBT (Pocan); PC (Makrolon); FPM, stainless steel 316L/1.4404	
Weight		
Model 17L880	2.27 oz	0.89 kg
Model 17L983	0.8 oz	0.47 kg
Model 17M380	0.8 oz	0.47 kg
Ambient Temperature Range	-13° to 176°F	-25° to 80°C
Medium Temperature Range	-13° to 176°F	-25° to 80°C
Storage Temperature	-40° to 212°F	-40° to 100°C

Graco Information

TO PLACE AN ORDER, contact your Graco distributor or call to identify the nearest distributor.

Phone: 612-623-6928 or **Toll Free:** 1-800-533-9655, **Fax:** 612-378-3590

*All written and visual data contained in this document reflects the latest product information available at the time of publication.
Graco reserves the right to make changes at any time without notice.*

Original instructions. This manual contains English. MM 3A4144

Graco Headquarters: Minneapolis

International Offices: Belgium, China, Japan, Korea

GRACO INC. AND SUBSIDIARIES • P.O. BOX 1441 • MINNEAPOLIS MN 55440-1441 • USA
Copyright 2016, Graco Inc. All Graco manufacturing locations are registered to ISO 9001.

www.graco.com

Revision E, May 2018