

King™ Spray Packages and Pumps

3A5422K

EN

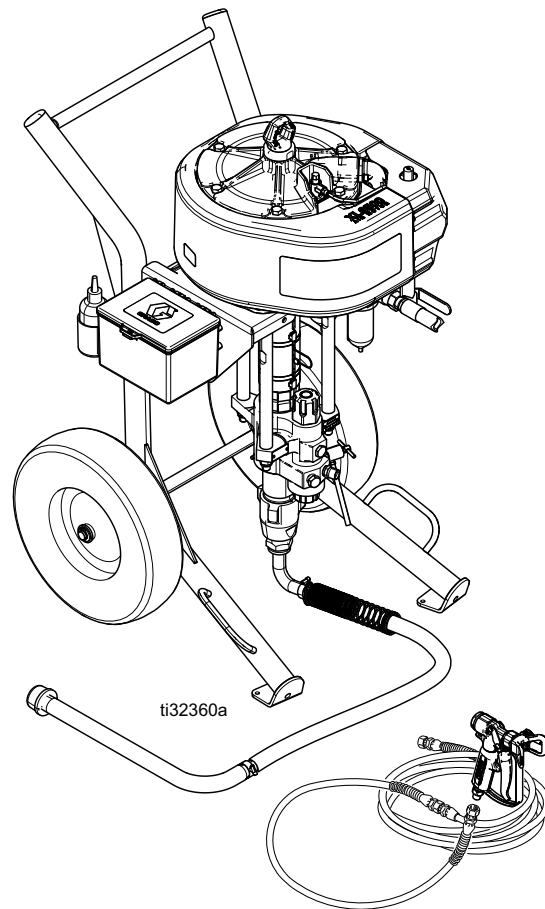
*High pressure spray packages for applying high performance coatings.
For professional use only.*



Important Safety Instructions

Read all warnings and instructions in this manual before using the equipment. Save these instructions.

See Models on page 6 for maximum working pressures.



Contents




Warnings	3	Remove Lower	22
Sprayer Packages	5	Disconnect and Reconnect Lower	22
Air Motor Part Matrix	5	Notes	23
Pump Packages	6	Parts	24
Air Motor Part Matrix	6	King Sprayer Cart Packages Parts	24
Component Identification	7	Wall Mount Packages Parts	34
Cart Mount Systems	7	Pump Package Parts	36
Wall Mount Systems	8	Air Assisted Sprayer Packages	39
System Components	9	Circulation Kit (238588)	41
*Bleed Type Master Air Valve (B)	9	Cart Parts	42
* Air Pressure Relief Valve (C)	9	Air Controls	43
* Air Filter (D)	9	Accessories	45
Air Regulator Adjustment (G)	9	Dimensions	46
* Fluid Drain/Purge Valve (J)	9	Sprayer Cart Packages	46
De-Ice Control (T)	9	Sprayer Cart Packages	46
Grounding	10	Wall Mount Bracket Mounting Hole Diagram ..	47
Installation	11	Performance Charts	48
Wall Mount Assembly	11	Calculate Fluid Outlet Pressure	48
Hopper Assembly	11	Calculate Pump Air Flow/Consumption	48
Setup	12	25:1	48
Pressure Relief Procedure	13	30:1	49
Clearing a Clogged Tip	14	40:1	49
Flush	15	45:1	50
Prime	17	50:1	50
Spray	19	59:1	51
Shutdown	19	60:1	51
Maintenance	20	70:1	52
Preventative Maintenance Schedule	20	90:1	52
Daily Maintenance	20	Technical Specifications	53
Corrosion Protection	20	California Proposition 65	55
Cart Maintenance	20	Graco Standard Warranty	56
Troubleshooting	21		








Related Manuals

Manual in English	Description
3A5423	Xtreme XL™ Air Motor, Instructions - Parts
3A0293	Air Controls, Instructions - Parts
311825	Dura-Flo™ Lowers, Instructions - Parts
311762	Xtreme® Lower, Instructions - Parts

Warnings

The following warnings are for the setup, use, grounding, maintenance, and repair of this equipment. The exclamation point symbol alerts you to a general warning and the hazard symbols refer to procedure-specific risks. When these symbols appear in the body of this manual or on warning labels, refer back to these Warnings. Product-specific hazard symbols and warnings not covered in this section may appear throughout the body of this manual where applicable.

	
	<p>FIRE AND EXPLOSION HAZARD</p> <p>Flammable fumes, such as solvent and paint fumes, in work area can ignite or explode. Paint or solvent flowing through the equipment can cause static sparking. To help prevent fire and explosion:</p> <ul style="list-style-type: none"> • Use equipment only in well ventilated area. • Eliminate all ignition sources; such as pilot lights, cigarettes, portable electric lamps, and plastic drop cloths (potential static sparking). • Ground all equipment in the work area. See Grounding instructions. • Never spray or flush solvent at high pressure. • Keep work area free of debris, including solvent, rags and gasoline. • Do not plug or unplug power cords, or turn power or light switches on or off when flammable fumes are present. • Use only grounded hoses. • Hold gun firmly to side of grounded pail when triggering into pail. Do not use pail liners unless they are anti-static or conductive. • Stop operation immediately if static sparking occurs or you feel a shock. Do not use equipment until you identify and correct the problem. • Keep a working fire extinguisher in the work area.
	<p>SKIN INJECTION HAZARD</p> <p>High-pressure fluid from gun, hose leaks, or ruptured components will pierce skin. This may look like just a cut, but it is a serious injury that can result in amputation. Get immediate surgical treatment.</p> <ul style="list-style-type: none"> • Do not spray without tip guard and trigger guard installed. • Engage trigger lock when not spraying. • Do not point gun at anyone or at any part of the body. • Do not put your hand over the spray tip. • Do not stop or deflect leaks with your hand, body, glove, or rag. • Follow the Pressure Relief Procedure when you stop spraying and before cleaning, checking, or servicing equipment. • Tighten all fluid connections before operating the equipment. • Check hoses and couplings daily. Replace worn or damaged parts immediately.

	
 	<p>MOVING PARTS HAZARD</p> <p>Moving parts can pinch, cut or amputate fingers and other body parts.</p> <ul style="list-style-type: none"> • Keep clear of moving parts. • Do not operate equipment with protective guards or covers removed. • Pressurized equipment can start without warning. Before checking, moving, or servicing equipment, follow the Pressure Relief Procedure and disconnect all power sources.
	<p>TOXIC FLUID OR FUMES HAZARD</p> <p>Toxic fluids or fumes can cause serious injury or death if splashed in the eyes or on the skin, inhaled, or swallowed.</p> <ul style="list-style-type: none"> • Read SDSs to know the specific hazards of the fluids you are using. • Store hazardous fluid in approved containers, and dispose of it according to applicable guidelines.
 	<p>EQUIPMENT MISUSE HAZARD</p> <p>Misuse can cause death or serious injury.</p> <ul style="list-style-type: none"> • Do not operate the unit when fatigued or under the influence of drugs or alcohol. • Do not exceed the maximum working pressure or temperature rating of the lowest rated system component. See Technical Specifications in all equipment manuals. • Use fluids and solvents that are compatible with equipment wetted parts. See in all equipment manuals. Read fluid and solvent manufacturer’s warnings. For complete information about your material, request Safety Data Sheets (SDSs) from distributor or retailer. • Do not leave the work area while equipment is energized or under pressure. • Turn off all equipment and follow the Pressure Relief Procedure when equipment is not in use. • Check equipment daily. Repair or replace worn or damaged parts immediately with genuine manufacturer’s replacement parts only. • Do not alter or modify equipment. Alterations or modifications may void agency approvals and create safety hazards. • Make sure all equipment is rated and approved for the environment in which you are using it. • Use equipment only for its intended purpose. Call your distributor for information. • Route hoses and cables away from traffic areas, sharp edges, moving parts, and hot surfaces. • Do not kink or over bend hoses or use hoses to pull equipment. • Keep children and animals away from work area. • Comply with all applicable safety regulations.
	<p>PERSONAL PROTECTIVE EQUIPMENT</p> <p>Wear appropriate protective equipment when in the work area to help prevent serious injury, including eye injury, hearing loss, inhalation of toxic fumes, and burns. Protective equipment includes but is not limited to:</p> <ul style="list-style-type: none"> • Protective eyewear, and hearing protection. • Respirators, protective clothing, and gloves as recommended by the fluid and solvent manufacturer.

Sprayer Packages

Air Motor Part Matrix

Check your sprayer or wall mount package's identification plate (ID) on the side of the shelf mounting bracket for the six digit part number of your package. Use the following matrix to define the construction of your package, based on the six digits. For example, Sprayer Part Number **K 70 F G 1** represents the King brand (**K**), pressure ratio (**70:1**), Xtreme lower with built-in filter on a heavy duty cart (**H**), and complete package (gun, hose, and pump filter included) (**1**). To order replacement parts, see **Parts**, page 24.

PART NO.			SERIAL NO.			SERIES		
MAX AIR WPR			MAX FLUID WPR					
MPa	bar	PSI	MPa	bar	PSI			
MAX TEMP			WEIGHT			MADE IN		
°C		°F		kg		lb		
GRACO			BARCODE			II 2 G Ex h IIC 230°C (T2) Gb		
GRACO INC.			UK CA EAC			Artwork No. 294799 Rev. B		
P.O. Box 1441			Minneapolis, MN 55440 U.S.A.					

K	7 0		F		H		1	
First Digit Sprayer	Package Pressure		Lower Type		Fifth Digit Mounting		Sixth Digit Option 0-9	
K	25	XL 3400/290cc						
	30	XL 3400/220cc	F	Std Filter	H	Heavy Duty Cart	0	Bare Package with Air Controls and Siphon Kit, No Hose and gun
	40	XL 3400/180cc	N	Std Non-Filter	L	Lightweight Cart	1	Std Complete Unit with Air Kit, Siphon Kit, and Hose/Gun Kit
	45	XL 6500/290cc	M	Max-Life with Filter	W	Wall Mount	2	Std Complete Unit with Air Kit, Siphon Kit, and Hose/Gun Kit, and Lubricator
	50	XL 6500/250cc						
	59	XL3400/115cc						
	60	XL 6500/220cc						
	70	XL 6500/180cc						
	90	XL 6500/145cc						

Air Assist Sprayer Packages

287975	K30FH2 with Air Assist
287976	K40FH2 with Air Assist

Sprayer Packages with 250 ft hose and XHF Gun

26C349	K70NH0 with 250 ft hose and XHF gun
--------	-------------------------------------

Heavy Fluids Packages

26C891 †	SPRAYER, XL65, HF, 70:1
24X593 ◆	SPRAYER, XL70, HF, 70:1
24V594 ◆	SPRAYER, XL80, HF, 80:1

NOTE: Packages include a hopper, no fluid filter, and XHF spray gun(s) with tip.

† Packages include a 1/2 in. x 50 ft hose and 3/8 in. x 6 ft whip for each gun (two of each are included with 26C892 packages).

◆ Packages include 3/4 in. outer check valve, 3/4 in. x 50 ft hose, and 1/2 in. x 25 ft whip.

Approvals:



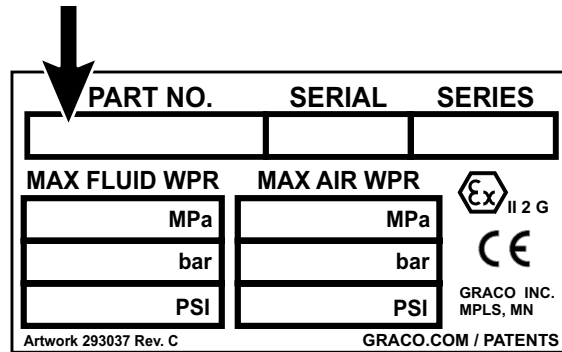
II 2 G Ex h IIC 230°C (T2) Gb



Pump Packages

Air Motor Part Matrix

Check the identification plate (ID) on your pump package (attached to the black motor shroud) for the six digit part number of your pump package. For example, Pump Part Number **P 70 H C 2** represents the pump (**P**), pressure ratio (**70:1**), high performance (**H**), carbon steel construction (**C**), and built-in filter (**2**). To order replacement parts, see **Parts** on page 24.



ti25704a

P	70		H		C		2	
First Digit Pump	Package Pressure		Motor Type		Lower Type		Filter Option	
P	25	XL 3400/220cc						
	30	XL 3400/220cc	H	High Performance	C	Carbon Steel	1	No Filter in Lower
	40	XL 3400/180cc			M	Max Life	2	Built-in Filter in Lower (Max Life only offered with built-in filter)
	45	XL 6500/290cc						
	50	XL 6500/250cc						
	59	XL3400/115cc						
	60	XL 6500/220cc						
	70	XL 6500/180cc						
	90	XL 6500/145cc						

Approvals:

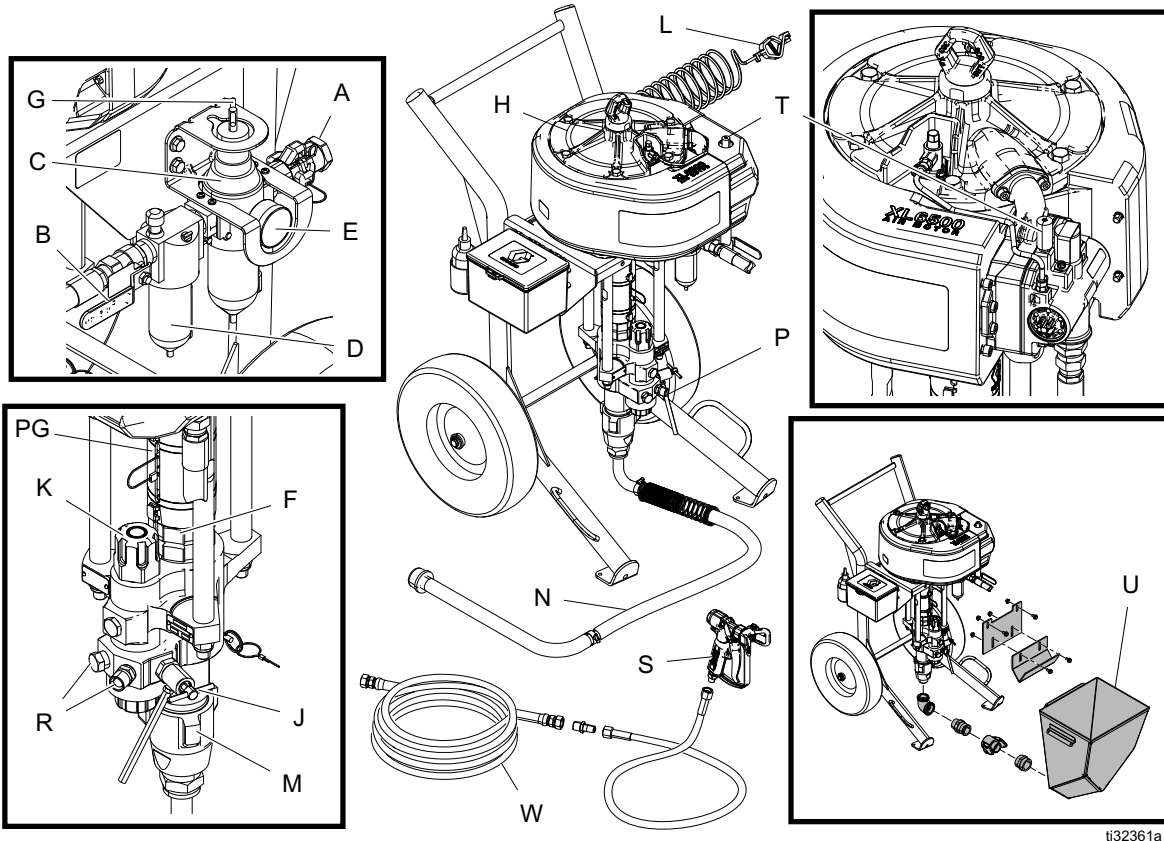


II 2 G Ex h IIC 230°C (T2) Gb



Component Identification

Cart Mount Systems



ti32361a

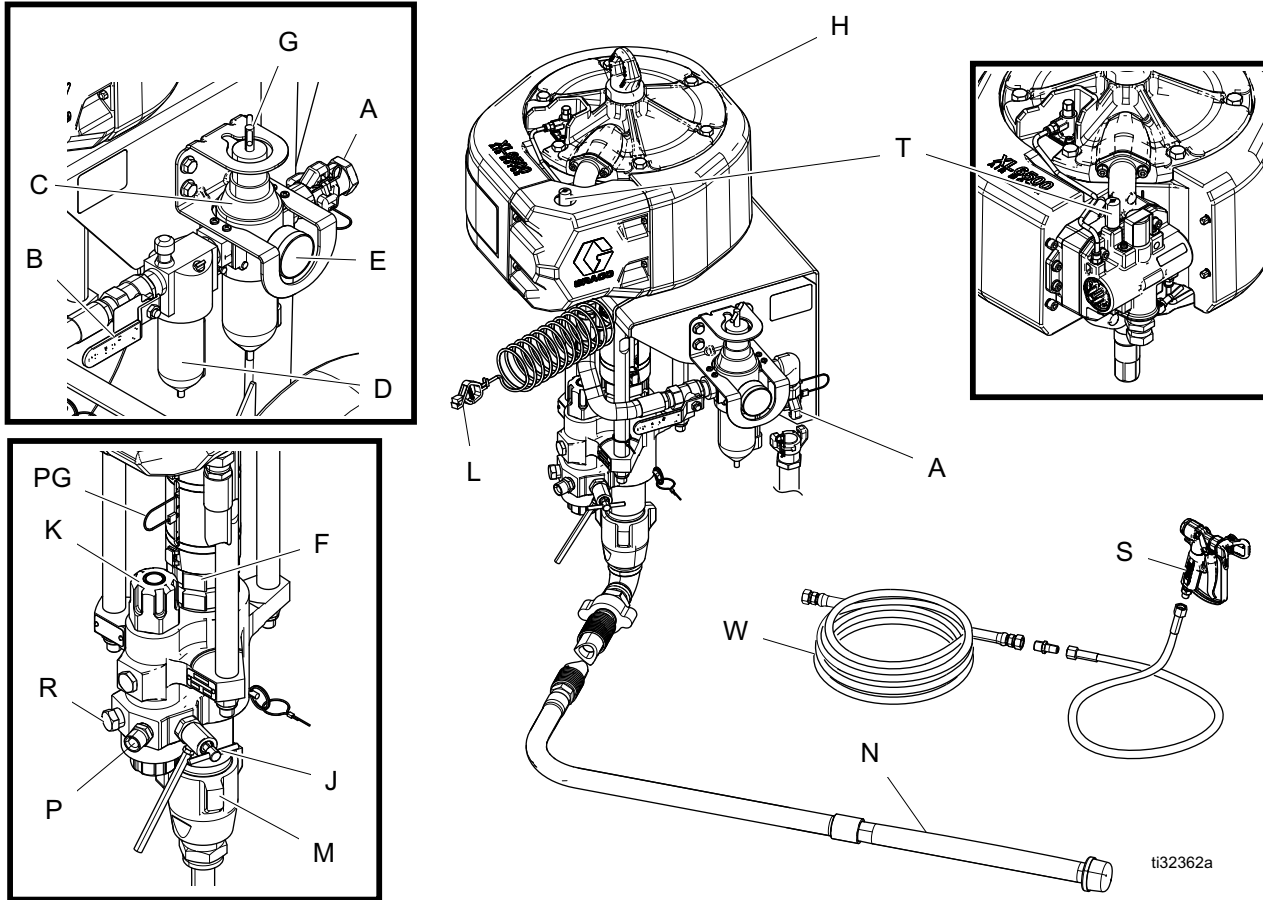
Ref. Description

- A Air Inlet, 1 in npt(f) on claw fitting
- B Bleed Type Master Air Valve (required)
- C Air Pressure Relief Valve (required)
- D Air Filter / Water Separator (required)
- E Air Pressure Gauge
- F Packing Nut
- G Air Regulator Adjustment
- H Air Motor
- J Fluid Drain/Purge Valve (required)
- K Fluid Filter (if equipped)
- L Grounding Wire (required)

Ref. Description

- M Lower
- N Suction Hose with Swivel and Tube (if equipped)
- P Pump Fluid Outlet
- PG Pump Guard
- R Optional Fluid Outlet, for second spray gun
- S Spray Gun
- T De-Ice Control (Bleed Air)
- U Hopper (if equipped)
- W Fluid Hose

Wall Mount Systems



Ref. Description

- A Air Inlet on Claw Fitting
- B Bleed Type Master Air Valve (required)
- C Air Pressure Relief Valve (required)
- D Air Filter / Water Separator (required)
- E Air Pressure Gauge
- F Packing Nut
- G Air Regulator Adjustment
- H Air Motor
- J Fluid Drain / Purge Valve (required)
- K Fluid Filter (if equipped)
- L Grounding Wire (required)
- M Lower
- N Suction Hose and Tube
- P Fluid Outlet
- PG Pump Guard
- R Optional Fluid Outlet
- S Spray Gun
- T De-Ice Control (Bleed Air)
- W Fluid Hose

System Components

* Required system components.

*Bleed Type Master Air Valve (B)



Trapped air can cause the pump to cycle unexpectedly, which could result in serious injury from splashing or moving parts. Perform the **Pressure Relief Procedure** (page 13) to remove trapped air.

- Be sure the valve is easily accessible from the pump and located downstream from the air regulator.
- Required in your system to relieve air trapped between it and the air motor when the valve is closed.
 - Open the valve to supply air to the motor.
 - Close the valve to shut off air to the motor, and bleed any trapped air from the motor.

* Air Pressure Relief Valve (C)

Automatically opens to relieve air pressure if the supplied pressure exceeds the preset limit.

* Air Filter (D)

Remove harmful dirt from compressed air supply. A minimum 40 micron filter is used.

Air Regulator Adjustment (G)

Adjusts air pressure to the motor and fluid outlet pressure of pump. Locate it close to the pump. Read air pressure on air pressure gauge (E).




* Fluid Drain/Purge Valve (J)

Open valve to relieve pressure and when flushing or priming pump. Close valve when spraying.

De-Ice Control (T)

Turn bleed air knob (open) to reduce icing.

Grounding

				
---	---	---	--	--

The equipment must be grounded to reduce the risk of static sparking. Static sparking can cause fumes to ignite or explode. Grounding provides an escape wire for the electric current.

Pump: use ground wire and clamp (supplied). Connect ground wire (L) to ground stud on the air motor. Connect ground clamp to a true earth ground.

Air and fluid hoses: use only electrically conductive hoses with a maximum of 500 ft. (150 m) combined hose length to ensure grounding continuity. Check electrical resistance of hoses. If total resistance to ground exceeds 29 megohms, replace hose immediately.

Air compressor: follow manufacturer's recommendations.

Spray gun / Dispense valve: ground through connection to a properly grounded fluid hose and pump.

Fluid supply container: follow local code.

Object being sprayed: follow local code. Do not use with dispense valve.

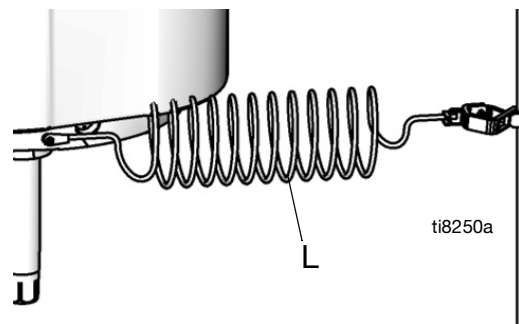
Solvent pails used when flushing: follow local code. Use only conductive metal pails, placed on a grounded surface. Do not place the pail on a non-conductive surface, such as paper or cardboard, which interrupts grounding continuity.

To maintain grounding continuity when flushing or relieving pressure: hold metal part of the spray gun/dispense valve firmly to the side of a grounded metal pail, then trigger the gun/valve.

Grounding Installation

Tools Required:

- Grounding wires and clamps for pails
 - Two 5 gallon (19 liter) metal pails
1. Connect the ground wire (244524) (L) to the ground stud on the air motor.



2. Connect the other end of the ground wire to a true earth ground.
3. Ground the object being sprayed, fluid supply container, and all other equipment in the work area. Follow your local code. Use only electrically conductive air and fluid hoses.
4. Ground all solvent pails. Use only metal pails, which are conductive, placed on a grounded surface. Do not place pail on a non-conductive surface, such as paper or cardboard, which interrupts grounding continuity.



Installation

When spraying in enclosed areas, such as storage tanks, locate the pump outside the area.

Wall Mount Assembly

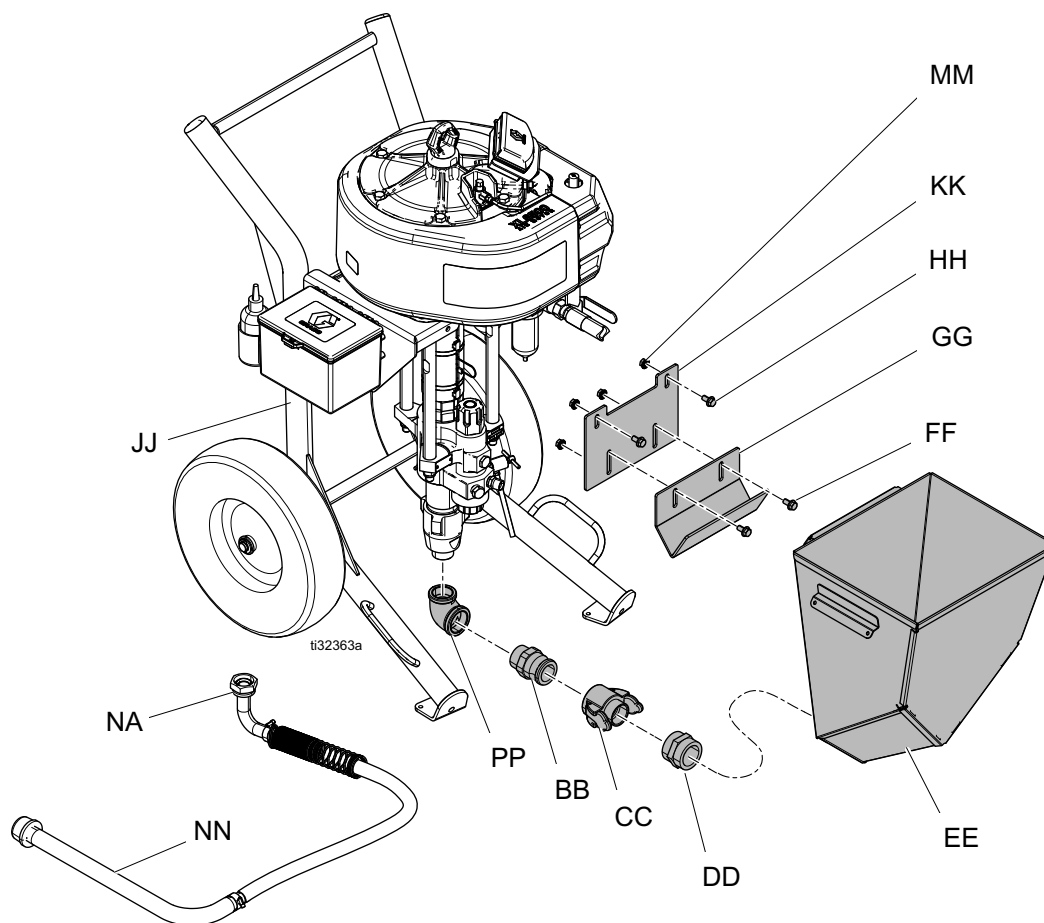
NOTE: Before mounting any pump assembly to the wall always follow the **Pressure Relief Procedure** on page 13.

1. Ensure the wall is strong enough to support the weight of the pump assembly and accessories, fluid, hoses, and stress caused during pump operation.
2. Drill four 7/16 in. (11 mm) holes using bracket as a template. Use any of the three mounting hole groupings in the bracket. See **Wall Mount Bracket Mounting Hole Diagram** on page 47.
3. Bolt bracket securely to wall using bolts and washers designed to hold in the wall's construction.



4. Attach pump assembly to mounting bracket.
5. Connect air and fluid hoses (see **Setup**, page 12).

Hopper Assembly

1. If necessary, disconnect and remove suction hose (NA).
2. Attach bracket (KK) to the cart (JJ) with nuts (MM) and screws (HH).
3. Loosely attach bracket (GG) to bracket (KK) with nuts (MM) and screws (HH).
4. Install elbow (PP) and fitting (BB) on the pump.
5. Install fitting (DD) and fitting (CC) on hopper (EE).
6. Connect fitting (CC) to fitting (BB). Adjust bracket (GG) height to fit under the lip on the back of the hopper (EE). Tighten nuts (MM).

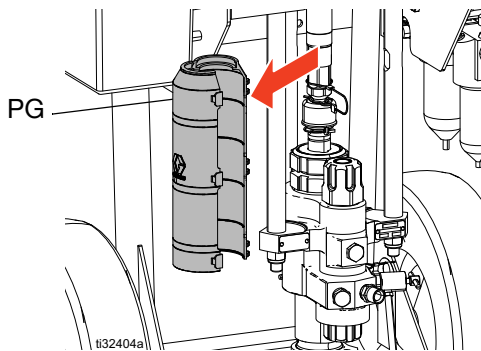


Setup

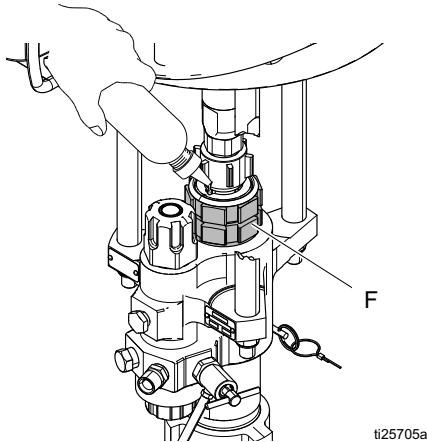
				
To avoid tip over, ensure cart is on a flat and level surface. Failure to do so could result in injury or equipment				

Tools Required:

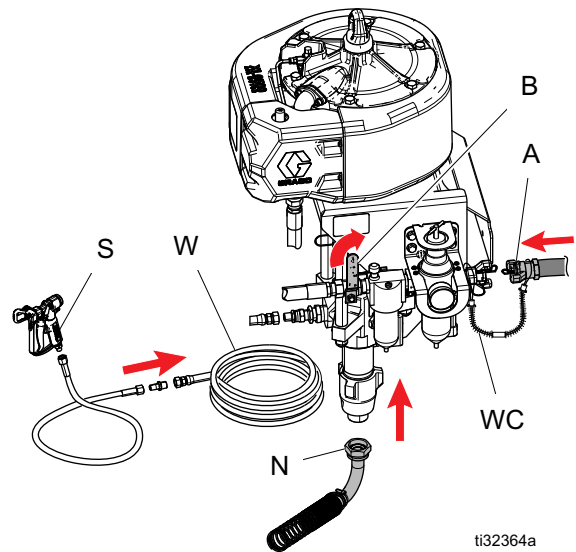
- Two adjustable wrenches
 - Non-sparking hammer or plastic mallet
 - Torque wrench
 - Flathead screwdriver
1. Ground sprayer (see **Grounding**, page 10).
 2. Use a flathead screwdriver to remove pump guard (PG).



3. Check packing nut (F). Remove packing nut cover and fill with Throat Seal Liquid (TSL). Replace cover, the torque packing nut (F) to 100–110 ft-lb (135–150 N•m).










4. Replace pump guard (PG).
5. Attach suction hose (N) and tighten.
6. Attach electrically conductive fluid hose to pump outlet (P) and tighten.
7. Attach electrically conductive fluid hose (and air hose if using an air-assisted gun) to gun and tighten. Check that all pressure connections are tight.
8. Close the bleed type mater air valve (B). Purge the air supply hose. Attach the whip check cable (WC) to the air supply hose and connect to 3/4 in. npt(f) air inlet (A). Pull the whip check cable tight.



9. Flush and prime before using. See **Flush** on page 15, and **Prime** on page 17.

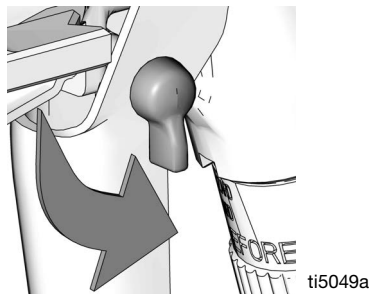
Pressure Relief Procedure

 Follow the Pressure Relief Procedure whenever you see this symbol.

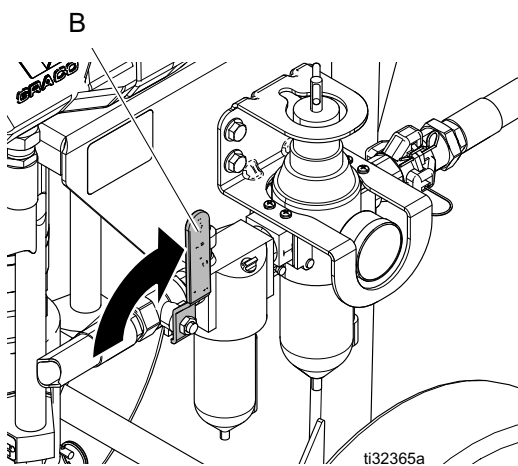
				
				

This equipment stays pressurized until pressure is manually relieved. To help prevent serious injury from pressurized fluid, such as skin injection, splashing fluid and moving parts, follow the **Pressure Relief Procedure** when you stop spraying and before cleaning, checking, or servicing equipment.

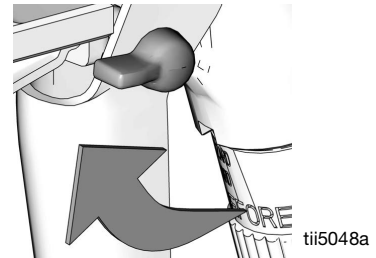
1. Engage gun trigger lock.



2. Close bleed type master air valve (B).



3. Disengage gun trigger lock.



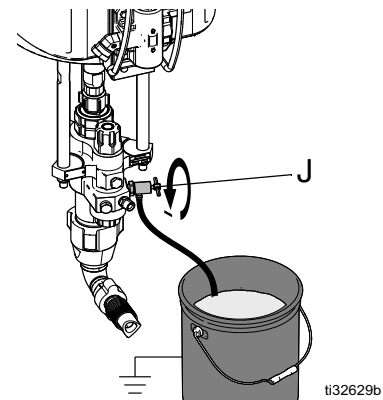
NOTE: If using an air-assisted gun, turn gun air regulator counter-clockwise to relieve pressure.

4. Hold a metal part pf the gun firmly against a grounded metal pail. Trigger the gun until pressure is relieved.

NOTE: If fluid does not flow from gun, see **Clearing a Clogged Tip** on page 14.



5. Engage trigger lock.
6. Drain fluid. To drain fluid, slowly open all fluid drain valves, including fluid drain/purge valve (J), in system into a waste pail. If there is a return tube, open return line ball valve. Close valve after fluid is drained.

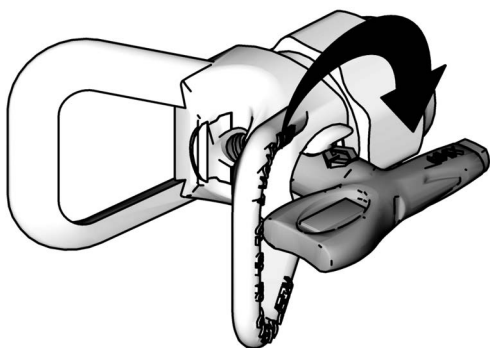


7. If you suspect the spray tip or hose is clogged or that pressure has not been fully relieved.
 - a. **VERY SLOWLY** loosen tip guard retaining nut or hose end coupling to relieve pressure gradually.
 - b. Loosen nut or coupling completely.
 - c. Clear hose or tip obstruction.

Clearing a Clogged Tip



1. Follow the **Pressure Relief Procedure** on page 13.



2. Rotate tip 180° so arrow on tip cylinder faces backward.

3. Disengage trigger lock.

4. Trigger gun into pail or onto ground to remove clog.







5. Engage trigger lock, then rotate tip 180° back to spray position.

6. If tip is still clogged, shut off sprayer and disconnect the power source.

7. Follow the **Pressure Relief Procedure** on page 13.

8. Remove and clean the spray tip.

Flush

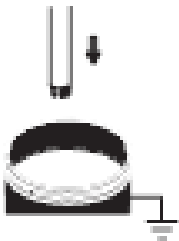
To avoid fire and explosion, always ground equipment and waste container. To avoid static sparking and injury from splashing, always flush at lower possible pressure.

Flush the Pump:

- Before first use
- When changing fluids
- Before repairing equipment
- Before fluid dries or settles out in a dormant pump (check the pot life of catalyzed fluids)
- At the end of the day
- Before storing the pump

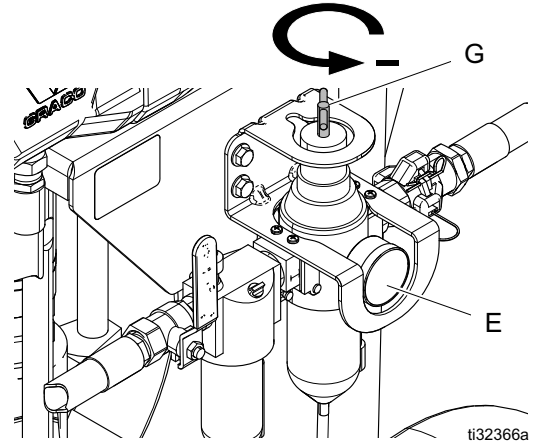
Flush at the lowest pressure possible. Flush with a fluid that is compatible with the fluid you are pumping and with the wetted parts in your system. Check with your fluid manufacturer or supplier for recommended flushing fluids and flushing frequency.

1. Perform **Pressure Relief Procedure** on page 13.
2. Remove tip and tip guard from gun.
3. If desired, remove fluid filter. Reinstall filter cap after removing fluid filter.
4. Place suction tube in a compatible solvent.

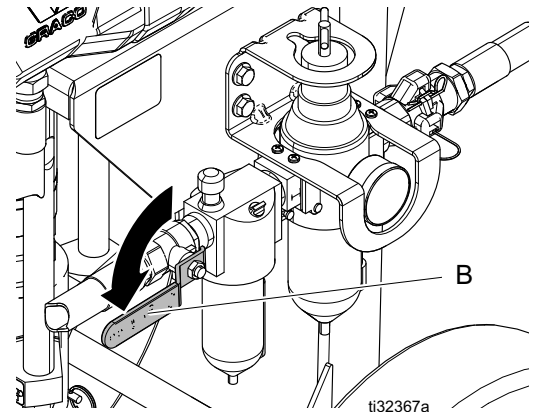


NOTE: Do not stretch hose tight. Let it hang to assist fluid flow into the pump.

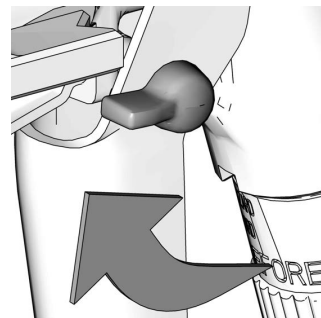
5. Turn air regulator adjustment knob (G) counterclockwise until air pressure gauge (E) reads zero.



6. Open bleed type master air valve (B).



7. Flush hose and gun:
 - a. Disengage gun trigger lock. Hold the gun against a grounded metal pail.



Flush

- b. Trigger gun, slowly turn air regulator adjustment knob (G) clockwise until pump begins to cycle and a steady stream comes from gun. Trigger gun for 10-15 seconds during initial setup. If flushing material, trigger gun until clean solvent flows from gun.



NOTE: If using an air-assisted gun, increase air pressure by turning gun regulator clockwise.

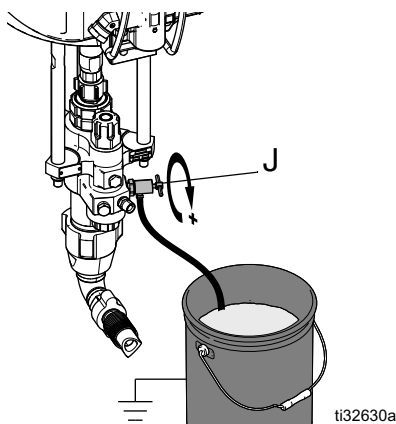
- c. After solvent is running clean, turn the air regulator adjustment knob (G) counter clockwise until it stops and the gauge reads zero. The pump will stop. Once the material stops flowing, release the trigger and engage the trigger lock.

NOTE: When shutting down the unit for the day, stop the pump with the rod buried in the pump.

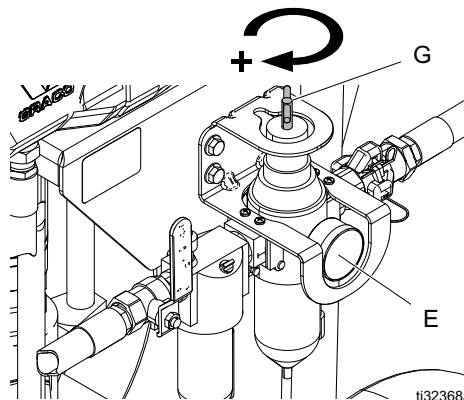
- d. Close the bleed type master air valve.

8. If flushing through drain/purge valve:

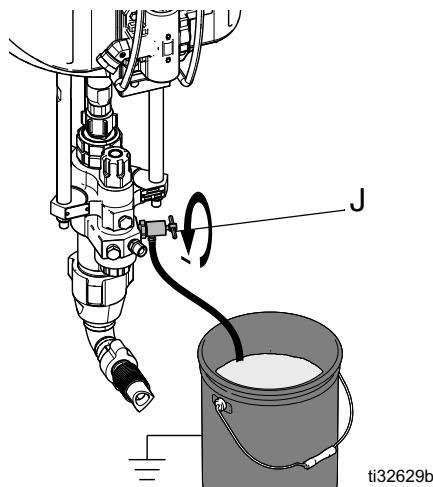
- a. Place drain tube in a grounded waste pail. Open fluid drain/purge valve (J) slightly by rotating counterclockwise.



- b. Turn air regulator adjustment knob (G) counterclockwise until air pressure gauge (E) reads zero
- c. Open bleed type master air valve (B).
- d. Start the pump by rotating the air regulator adjustment knob (G) clockwise until pump begins to move.

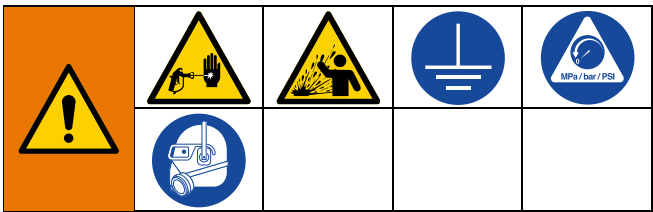


- e. When clean solvent flows from drain tube close fluid drain/purge valve (J) by rotating clockwise. Pump will stall.

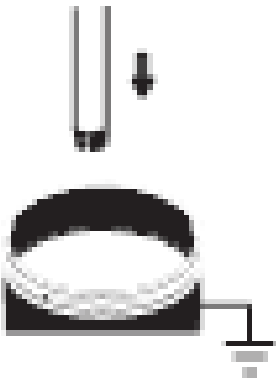


- f. Stop the pump with the rod buried in the pump.
 - g. Turn the air regulator adjustment knob (G) counterclockwise until air pressure gauge (E) reads zero.
 - h. Close bleed type master air valve (B).
9. Perform **Pressure Relief Procedure** on page 13.
10. Remove fluid filter and soak in solvent. Replace filter cap.

Prime

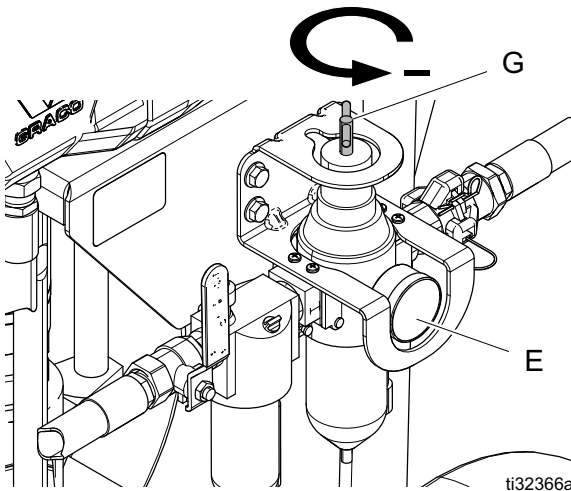


1. Perform the **Pressure Relief Procedure**, page 13.
2. Lock gun trigger. Remove tip and tip guard from gun.
3. Place suction tube in the material that will be sprayed.

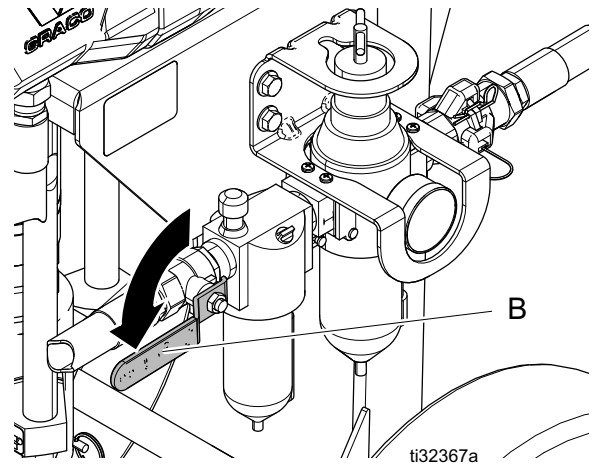


NOTE: Do not stretch hose tight. Let it hang to assist fluid flow into the pump.

4. Turn air regulator adjustment knob (G) counterclockwise until air pressure gauge (E) reads zero.



5. Open bleed type master air valve (B).



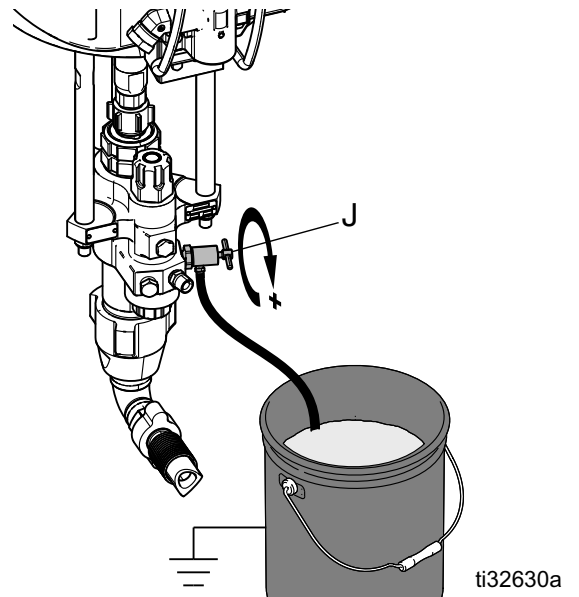
6. Prime through drain valve if necessary.

NOTE: Usually required for high viscosity materials.

NOTICE

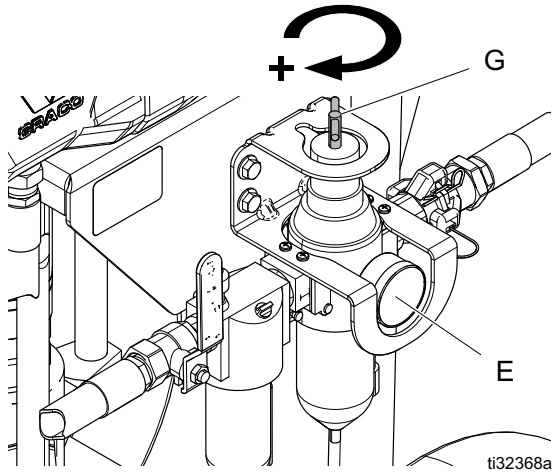
Do not prime pump through drain/purge valve using two-component materials. Mixed two-component materials will harden in valve and result in clogging.

- a. Place drain tube in a grounded waste pail. Open drain/purge valve (J) by slightly rotating counterclockwise.



Prime

- b. Start the pump by rotating the air regulator adjustment knob (G) clockwise until pump begins to move.

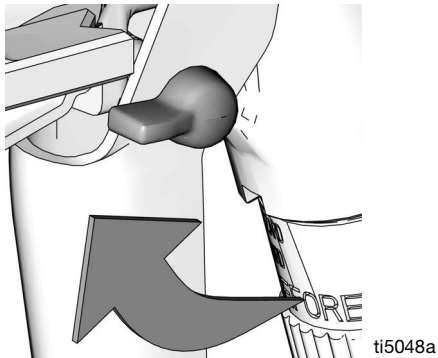


- b. Trigger gun, slowly open air regulator adjustment knob (G) until pump begins to cycle and a steady stream comes from gun. Trigger gun for 10-15 seconds.



7. Prime hose and gun:

- a. Disengage gun trigger lock. Hold the metal part of the gun against a grounded metal pail.



NOTE: If using an air-assisted gun, increase air pressure by turning gun regulator clockwise.

- c. Engage trigger lock.
- d. The equipment is now ready to spray; proceed to the **Spray** section on page 19.

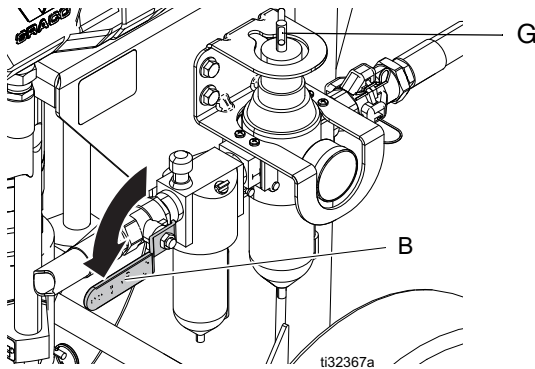
Spray



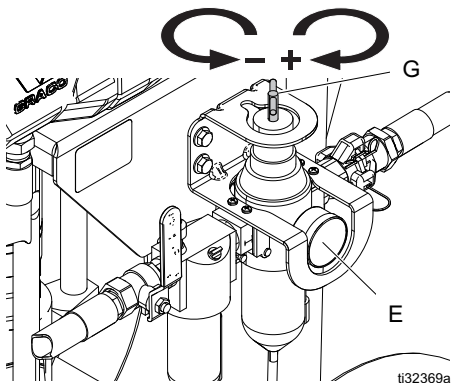
NOTICE

Running the pump while dry will cause the pump to quickly accelerate to a high speed and cause damage. To avoid damage, do not allow pump to run dry.

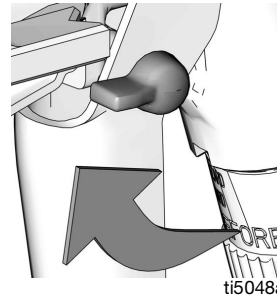
1. Perform the **Prime** procedure on page 17.
2. Perform **Pressure Relief Procedure** on page 13.
3. Install tip and tip guard on gun.
4. Turn air regulator adjustment knob (G) counterclockwise to decrease pressure to zero.
5. Open bleed type master air valve (B).



6. Turn air regulator adjustment knob (G) until air pressure gauge (E) reads desired pressure. Turn clockwise to increase pressure, counterclockwise to decrease pressure.



7. Disengage gun trigger lock.



8. Spray a test pattern. Read fluid manufacturer's recommendations. Adjust pressure as necessary. If using an air-assisted gun, increase gun air pressure while testing spray pattern.



9. Perform the **Flush** procedure on page 15.

Shutdown



NOTICE

Leaving water or water-based fluid in the pump overnight can cause the equipment to rust or corrode. If you are pumping water-based fluid, flush with water first, then with a rust inhibitor such as mineral spirits. Relieve pressure, but leave rust inhibitor in pump to protect parts from corrosion.

Perform the **Prime** procedure on page 17.

Always flush the pump before the fluid dries on the displacement pump rod. Perform the **Flush** procedure on page 15.

Maintenance

Preventative Maintenance Schedule

The operating conditions of your particular system determine how often maintenance is required. Establish a preventive maintenance schedule by recording when and what kind of maintenance is needed, and then determine a regular schedule for checking your system.

Daily Maintenance



NOTE: For over night shutdown, stop pump at bottom of its stroke to prevent fluid from drying on exposed displacement rod and damaging throat packings. Perform the **Prime** procedure on page 17.

1. Perform the **Flush** procedure on page 15.
2. Perform the **Prime** procedure on page 17.
3. Check packing nut (F). Adjust packings and replace TSL as necessary. Torque to 25-30 ft-lb (34-41 N•m).
4. Drain water from air filter.
5. Clean suction tube using a compatible solvent. It is recommended that you clean the outside of the sprayer using a cloth and compatible solvent.
6. Check hoses, tubes, and couplings. Tighten all fluid connections before each use.
7. Clean fluid line filter.

Corrosion Protection

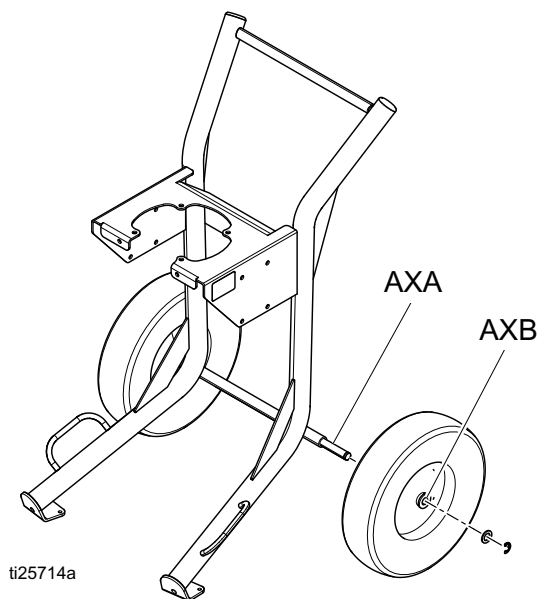
Always flush the pump before the fluid dries on the displacement rod. Never leave water or water-based fluid in the pump overnight.

NOTICE
<p>Leaving water or water-based fluid in the pump over night can cause the equipment to rust or corrode. If you are pumping water-base fluid, flush with water first, then with a rust inhibitor, such as mineral spirits. Relieve pressure, but leave rust inhibitor in pump to protect parts from corrosion.</p>

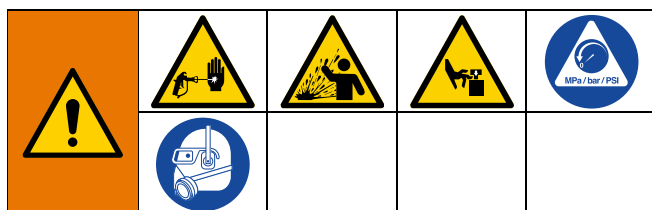
Cart Maintenance

Periodically lubricate the axle between points AXA and AXB with lightweight oil.

Keep the cart clean by wiping up spills daily, using a compatible solvent.



Troubleshooting



NOTE: To find parts lists for the parts identified in the troubleshooting tables, see page numbers listed in the table below.

1. Perform **Pressure Relief Procedure** on page 13.

2. Check all possible causes and problems before disassembling pump.
3. See air motor manual for air motor specific troubleshooting

* To determine if fluid hose or gun is obstructed, follow the **Pressure Relief Procedure** on page 13. Disconnect fluid hose and place a container at pump fluid outlet to catch any fluid. Turn on air power just enough to start pump. If pump starts, the obstruction is in fluid hose or gun.

Problem	Cause	Solution
Does not operate.	Valve closed or clogged.	Clear air line; increase air supply. Check that valves are open.
	Fluid hose or gun obstructed.	Clean hose or gun.*
	Dried fluid on displacement rod.	Clean rod; always stop pump at bottom of stroke; keep wet-cup filled with compatible solvent.
	Air motor parts dirty, worn, or damaged.	Clean or repair air motor. See motor manual.
Output low on both strokes.	Air line restricted or air supply inadequate. Valves closed or clogged.	Clear air line; increase air supply. Check that valves are open.
	Fluid hose/gun obstructed; hose ID too small.	Clear hose or gun*; use hose with larger ID.
	Air motor icing.	Open De-Ice control.
Output low on down stroke.	Open or worn intake valve.	Clear or service intake valve.
	High viscosity fluid.	Adjust intake spacers.
Output low on upstroke.	Open or worn piston valve or packings.	Clear piston valve; replace packings.
Erratic accelerated speed.	Fluid supply exhausted, clogged suction.	Refill supply and prime pump. Clean suction tube.
	High viscosity fluid.	Reduce viscosity; adjust intake spacers.
	Open or worn piston valve or packings.	Clear piston valve; replace packings.
	Open or worn intake valve.	Clear or service intake valve.
Runs sluggishly.	Possible icing.	Stop pump. Open De-Ice control.
Cycles or fails to hold pressure at stall.	Worn check valves or seals.	Service lower. See Remove Lower (page 22) and Xtreme Lowers manual.
Air bubbles in fluid.	Loose suction line.	Tighten. Use compatible liquid thread sealant or PTFE tape on connections.
Poor finish or irregular spray pattern.	Incorrect fluid pressure at gun.	See gun manual; read fluid manufacturer's recommendations.
	Fluid is too thin or too thick.	Adjust fluid viscosity; read fluid manufacturer's recommendations.

Remove Lower

Required Tools:

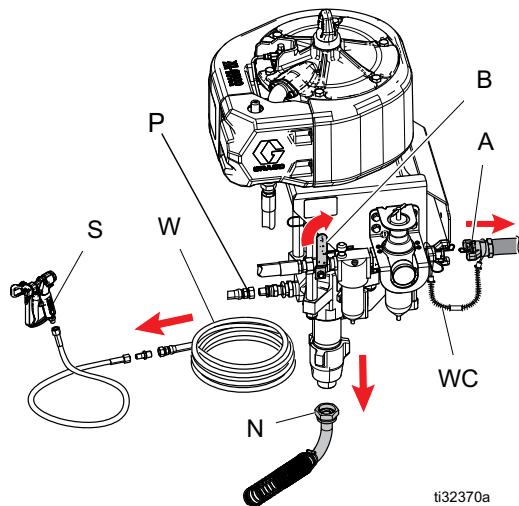
- Set of adjustable wrenches
- Torque wrench
- Rubber mallet
- Thread lubricant
- Anti-seize lubricant 222955
- Loctite® 2760™ or equivalent
- Flathead screwdriver

Disconnect and Reconnect Lower

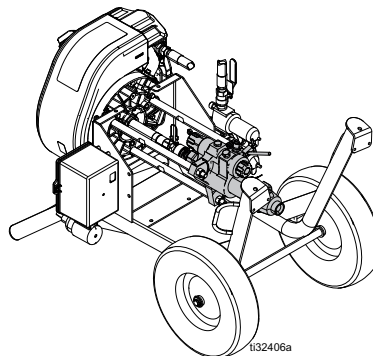


1. Perform the **Flush** procedure on page 15. Stop the pump at the bottom of its stroke.
2. Perform **Pressure Relief Procedure** on page 13.
3. Disconnect air hose.
4. Disconnect fluid hose (W). Hold pump outlet fitting (P) with a wrench to keep it from loosening while you disconnect suction hose (N).

NOTE: Note the relative position of pump fluid outlet (P) to inlet of motor for easier reassembly alignment. If motor does not require service, leave it attached to its mounting.

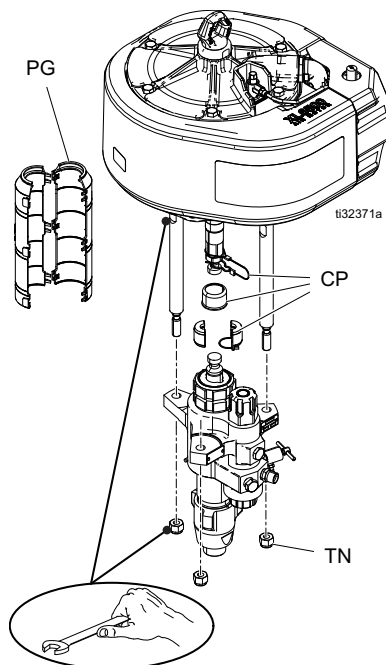


5. Use a flathead screwdriver to remove the pump guard (PG).
6. If using a cart-mounted unit, tip the cart onto its back.



NOTE: Lay rags onto the floor to catch TSL that may spill out of the packing nut.

7. Hold the flats of the air motor piston rod with a wrench. Use another wrench to loosen the coupling nut (CN).



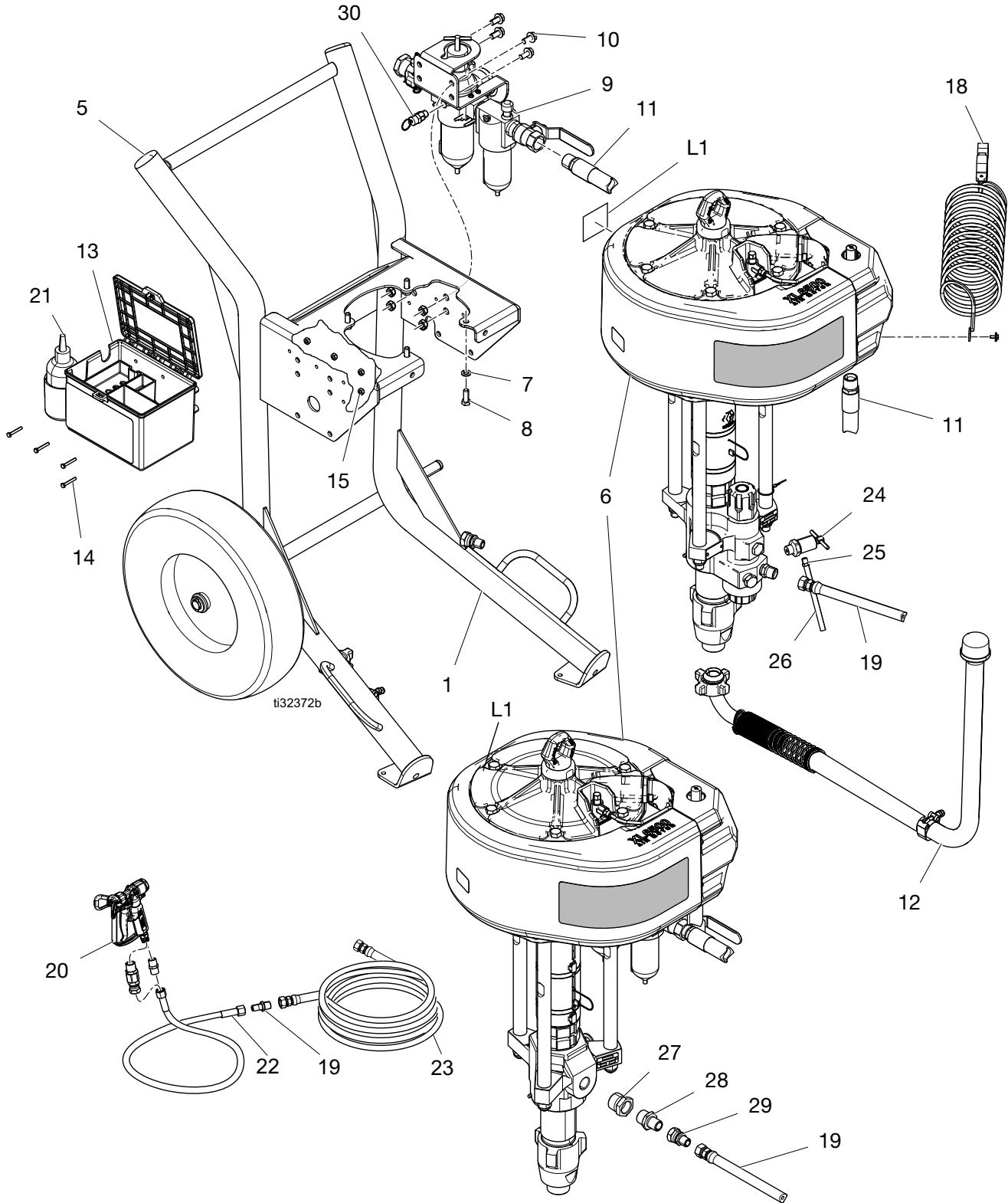
8. Remove the tie rod nuts (TN).
9. Hold the lower and slide it off the tie rods (TN) to remove. Refer to the Lower manual to service the lower. To service motor, refer to separate motor manual.
10. Reconnect the lower by following the disconnect steps in reverse order.

NOTE: Torque nuts to 50-60 ft-lb (68-81 N•m).

11. Refill packing nut with TSL.

Parts

King Sprayer Cart Packages Parts



King Sprayer Cart Packages Parts List

Ref.	Part	Description	Qty.									
			K25FH0	K25FH1	K25FH2	K25FLO	K25FL1	K25NH0	K25NH1	K25NH2	K25NLO	K25NL1
1	17X355	CART, heavy duty (see Wall Mount Packages Parts , page 34)	1	1	1			1	1	1		
	17X356	CART, lightweight (see Wall Mount Packages Parts , page 34)				1	1				1	1
6	-----	PUMP, (see Pump Package Parts , starting on page 36)										
7	100133	WASHER, lock, 3/8	4	4	4	4	4	4	4	4	4	4
8	100101	SCREW, 3/8-16x 1in.	4	4	4	4	4	4	4	4	4	4
9	17N621	AIR CONTROLS, air	1	1		1	1	1	1		1	1
	25D529	AIR CONTROLS, with lubricator										
10	112395	SCREW, cap, flange head	4	4	4	4	4	4	4	4	4	4
11	17S137	HOSE	1	1		1	1	1	1		1	1
	17V125				1					1		
12	25D515	HOSE, suction, 5 gallon	1	1	1	1	1	1	1	1	1	1
13	25D498	TOOL BOX, black	1	1	1	1	1	1	1	1	1	1
14	115248	SCREW, cap, hex head	4	4	4	4	4	4	4	4	4	4
15	114231	NUT, lock, hex	4	4	4	4	4	4	4	4	4	4
18	244524	WIRE, ground assembly with clamp	1	1	1	1	1	1	1	1	1	1
19	24T754	HOSE, fluid		1	1		1		1	1		1
20	XTR524	Gun, spray, XTR		1	1		1		1	1		1
21	206994	FLUID, TSL, 1 qt	1	1	1	1	1	1	1	1	1	1
22	H42506	HOSE, fluid, nylon, 1/4 in.		1	1		1		1	1		1
23	H43850	HOSE, fluid, nylon, 3/8 in.		1	1		1		1	1		1
24	244863	RELIEF VALVE						1	1	1	1	1
25	116746	FITTING, barbed						1	1	1	1	1
26	116750	TUBE						1	1	1	1	1
27	158586	BUSHING						1	1	1	1	1
28	16R883	FITTING, nipple						1	1	1	1	1
29	162505	FITTING, swivel	1	1	1	1	1	1	1	1	1	1
30	113498	VALVE, safety, 110 psi	1	1	1	1	1	1	1	1	1	1
31	17V369	KIT, tool (not shown)	1			1		1			1	
	17V370			1	1		1		1	1		1
33	17V371	KIT, tool (not shown)	1	1	1	1	1					
34	202659	LUBRICANT (not shown)			1					1		
L1▲	15F674	LABEL, safety, motor	1	1	1	1	1	1	1	1	1	1

▲ Replacement Danger and Warning labels are available at no cost.

King Sprayer Cart Packages Parts List (continued)

Ref.	Part	Description	Qty.										
			K30FH0	K30FH1	K30FH2	K30FLO	K30FL1	K30MH2	K30NH0	K30NH1	K03NH2	K30NLO	K30NL1
1	17X355	CART, heavy duty (see Wall Mount Packages Parts , page 34)	1	1	1			1	1	1	1		
	17X356	CART, lightweight (see Wall Mount Packages Parts , page 34)				1	1					1	1
6	-----	PUMP, (see Pump Package Parts , starting on page 36)											
7	100133	WASHER, lock, 3/8	4	4	4	4	4	4	4	4	4	4	4
8	100101	SCREW, 3/8-16x 1in.	4	4	4	4	4	4	4	4	4	4	4
9	17N621	AIR CONTROLS, air	1	1		1	1		1	1		1	1
	25D529	AIR CONTROLS, with lubricator			1			1			1		
10	112395	SCREW, cap, flange head	4	4	4	4	4	4	4	4	4	4	4
11	17S137	HOSE	1	1		1	1		1	1		1	1
	17V125				1			1			1		
12	25D515	HOSE, suction, 5 gallon	1	1	1	1	1	1	1	1	1	1	1
13	25D498	TOOL BOX, black	1	1	1	1	1	1	1	1	1	1	1
14	115248	SCREW, cap, hex head	4	4	4	4	4	4	4	4	4	4	4
15	114231	NUT, lock, hex	4	4	4	4	4	4	4	4	4	4	4
18	244524	WIRE, ground assembly with clamp	1	1	1	1	1	1	1	1	1	1	1
19	24T754	HOSE, fluid		1	1		1	1		1	1		1
20	XTR524	Gun, spray, XTR		1	1		1	1		1	1		1
21	206994	FLUID, TSL, 1 qt	1	1	1	1	1	1	1	1	1	1	1
22	H42506	HOSE, fluid, nylon, 1/4 in.		1	1		1	1		1	1		1
23	H43850	HOSE, fluid, nylon, 3/8 in.		1	1		1	1		1	1		1
24	244863	RELIEF VALVE							1	1	1	1	1
25	116746	FITTING, barbed							1	1	1	1	1
26	116750	TUBE							1	1	1	1	1
27	158586	BUSHING							1	1	1	1	1
28	16R883	FITTING, nipple							1	1	1	1	1
29	162505	FITTING, swivel	1	1	1	1	1	1	1	1	1	1	1
30	113498	VALVE, safety, 110 psi	1	1	1	1	1	1	1	1	1	1	1
31	17V369	KIT, tool (not shown)	1			1			1			1	
	17V370			1	1		1	1		1	1		1
33	17V371	KIT, tool (not shown)	1	1	1	1	1	1					
34	202659	LUBRICANT (not shown)			1			1			1		
L1▲	15F674	LABEL, safety, motor	1	1	1	1	1	1	1	1	1	1	1

▲ Replacement Danger and Warning labels are available at no cost.

King Sprayer Cart Packages Parts List (continued)

Ref.	Part	Description	Qty.										
			K40FH0	K40FH1	K40FH2	K40FLO	K40FL1	K40MH2	K40NH0	K40NH1	K40NH2	K40NLO	K40NL1
1	17X355	CART, heavy duty (see Wall Mount Packages Parts , page 34)	1	1	1			1	1	1	1		
	17X356	CART, lightweight (see Wall Mount Packages Parts , page 34)				1	1					1	1
6	-----	PUMP, (see Pump Package Parts , starting on page 36)											
7	100133	WASHER, lock, 3/8	4	4	4	4	4	4	4	4	4	4	4
8	100101	SCREW, 3/8-16x 1in.	4	4	4	4	4	4	4	4	4	4	4
9	17N621	AIR CONTROLS, air	1	1		1	1		1	1		1	1
	25D529	AIR CONTROLS, with lubricator			1			1			1		
10	112395	SCREW, cap, flange head	4	4	4	4	4	4	4	4	4	4	4
11	17S137	HOSE	1	1		1	1		1	1		1	1
	17V125				1			1			1		
12	25D515	HOSE, suction, 5 gallon	1	1	1	1	1	1	1	1	1	1	1
13	25D498	TOOL BOX, black	1	1	1	1	1	1	1	1	1	1	1
14	115248	SCREW, cap, hex head	4	4	4	4	4	4	4	4	4	4	4
15	114231	NUT, lock, hex	4	4	4	4	4	4	4	4	4	4	4
18	244524	WIRE, ground assembly with clamp	1	1	1	1	1	1	1	1	1	1	1
19	24T754	HOSE, fluid		1	1		1	1		1	1		1
20	XTR524	Gun, spray, XTR		1	1		1	1		1	1		1
21	206994	FLUID, TSL, 1 qt	1	1	1	1	1	1	1	1	1	1	1
22	H42506	HOSE, fluid, nylon, 1/4 in.		1	1		1	1		1	1		1
23	H43850	HOSE, fluid, nylon, 3/8 in.		1	1		1	1		1	1		1
24	244863	RELIEF VALVE							1	1	1	1	1
25	116746	FITTING, barbed							1	1	1	1	1
26	116750	TUBE							1	1	1	1	1
27	158586	BUSHING											
28	16R883	FITTING, nipple							1	1	1	1	1
29	162505	FITTING, swivel	1	1	1	1	1	1	1	1	1	1	1
30	113498	VALVE, safety, 110 psi	1	1	1	1	1	1	1	1	1	1	1
31	17V369	KIT, tool (not shown)	1			1			1			1	
	17V370			1	1		1	1		1	1		1
33	17V371	KIT, tool (not shown)	1	1	1	1	1	1					
34	202659	LUBRICANT (not shown)			1			1			1		
L1▲	15F674	LABEL, safety, motor	1	1	1	1	1	1	1	1	1	1	1

▲ Replacement Danger and Warning labels are available at no cost.

King Sprayer Cart Packages Parts List (Continued)

Ref.	Part	Description	Qty.										
			K45FH0	K45FH1	K45FH2	K45FLO	K45FL1	K45MH2	K45NH0	K45NH1	K45NH2	K45NLO	K45NL1
1	17X355	CART, heavy duty (see Wall Mount Packages Parts , page 34)	1	1	1			1	1	1	1		
	17X356	CART, lightweight (see Wall Mount Packages Parts , page 34)				1	1					1	1
6	-----	PUMP, (see Pump Package Parts , starting on page 36)											
7	100133	WASHER, lock, 3/8	4	4	4	4	4	4	4	4	4	4	4
8	100101	SCREW, 3/8-16x 1in.	4	4	4	4	4	4	4	4	4	4	4
9	17N621	AIR CONTROLS, air	1	1		1	1		1	1		1	1
	25D529	AIR CONTROLS, with lubricator			1			1			1		
10	112395	SCREW, cap, flange head	4	4	4	4	4	4	4	4	4	4	4
11	17S137	HOSE	1	1		1	1		1	1		1	1
	17V125				1			1			1		
12	25D515	HOSE, suction, 5 gallon	1	1	1	1	1	1	1	1	1	1	1
13	25D498	TOOL BOX, black	1	1	1	1	1	1	1	1	1	1	1
14	115248	SCREW, cap, hex head	4	4	4	4	4	4	4	4	4	4	4
15	114231	NUT, lock, hex	4	4	4	4	4	4	4	4	4	4	4
18	244524	WIRE, ground assembly with clamp	1	1	1	1	1	1	1	1	1	1	1
19	24T754	HOSE, fluid		1	1		1	1		1	1		1
20	XTR524	Gun, spray, XTR		1	1		1	1		1	1		1
21	206994	FLUID, TSL, 1 qt	1	1	1	1	1	1	1	1	1	1	1
22	H42506	HOSE, fluid, nylon, 1/4 in.		1	1		1	1		1	1		1
23	H43850	HOSE, fluid, nylon, 3/8 in.		1	1		1	1		1	1		1
24	244863	RELIEF VALVE							1	1	1	1	1
25	116746	FITTING, barbed							1	1	1	1	1
26	116750	TUBE							1	1	1	1	1
27	158586	BUSHING							1	1	1	1	1
28	16R883	FITTING, nipple							1	1	1	1	1
29	162505	FITTING, swivel	1	1	1	1	1	1	1	1	1	1	1
30	113498	VALVE, safety, 110 psi	1	1	1	1	1	1	1	1	1	1	1
31	17V369	KIT, tool (not shown)	1			1			1			1	
	17V370			1	1		1	1		1	1		1
33	17V371	KIT, tool (not shown)	1	1	1	1	1	1					
34	202659	LUBRICANT (not shown)			1			1			1		
L1▲	15F674	LABEL, safety, motor	1	1	1	1	1	1	1	1	1	1	1

▲ Replacement Danger and Warning labels are available at no cost.

King Sprayer Cart Packages Parts List (continued)

Ref.	Part	Description	Qty.									
			K50FH0	K50FH1	K50FH2	K50FLO	K50FL1	K50NH0	K50NH1	K50NH2	K50NLO	K50NL1
1	17X355	CART, heavy duty (see Wall Mount Packages Parts , page 34)	1	1	1			1	1	1		
	17X356	CART, lightweight (see Wall Mount Packages Parts , page 34)				1	1				1	1
6	-----	PUMP, (see Pump Package Parts , starting on page 36)										
7	100133	WASHER, lock, 3/8	4	4	4	4	4	4	4	4	4	4
8	100101	SCREW, 3/8-16x 1in.	4	4	4	4	4	4	4	4	4	4
9	17N621	AIR CONTROLS, air	1	1		1	1	1	1		1	1
	25D529	AIR CONTROLS, with lubricator			1					1		
10	112395	SCREW, cap, flange head	4	4	4	4	4	4	4	4	4	4
11	17S137	HOSE	1	1		1	1	1	1		1	1
	17V125				1					1		
12	25D515	HOSE, suction, 5 gallon	1	1	1	1	1	1	1	1	1	1
13	25D498	TOOL BOX, black	1	1	1	1	1	1	1	1	1	1
14	115248	SCREW, cap, hex head	4	4	4	4	4	4	4	4	4	4
15	114231	NUT, lock, hex	4	4	4	4	4	4	4	4	4	4
18	244524	WIRE, ground assembly with clamp	1	1	1	1	1	1	1	1	1	1
19	24T755	HOSE, fluid		1	1		1		1	1		1
20	XTR524	Gun, spray, XTR		1	1		1		1	1		1
21	206994	FLUID, TSL, 1 qt	1	1	1	1	1	1	1	1	1	1
22	H52506	HOSE, fluid, nylon, 1/4 in.		1	1		1		1	1		1
23	H53850	HOSE, fluid, nylon, 3/8 in.		1	1		1		1	1		1
24	244863	RELIEF VALVE						1	1	1	1	1
25	116746	FITTING, barbed						1	1	1	1	1
26	116750	TUBE						1	1	1	1	1
27	158586	BUSHING						1	1	1	1	1
28	16R883	FITTING, nipple						1	1	1	1	1
29	162505	FITTING, swivel	1	1	1	1	1	1	1	1	1	1
30	113498	VALVE, safety, 110 psi	1	1	1	1	1	1	1	1	1	1
31	17V369	KIT, tool (not shown)	1			1		1			1	
	17V370			1	1		1		1	1		1
33	17V371	KIT, tool (not shown)	1	1	1	1	1					
34	202659	LUBRICANT (not shown)			1					1		
L1▲	15F674	LABEL, safety, motor	1	1	1	1	1	1	1	1	1	1

▲ Replacement Danger and Warning labels are available at no cost.

King Sprayer Cart Packages Parts List (continued)

Ref.	Part	Description	Qty.									
			K59FH0	K59FH1	K59FH2	K59FL0	K59FL1	K59NH0	K59NH1	K59NH2	K59NL0	K59NL1
1	17X355	CART, heavy duty (see Wall Mount Packages Parts , page 34)	1	1	1			1	1	1		
	17X356	CART, lightweight (see Wall Mount Packages Parts , page 34)				1	1				1	1
6	-----	PUMP, (see Pump Package Parts , starting on page 36)										
7	100133	WASHER, lock, 3/8	4	4	4	4	4	4	4	4	4	4
8	100101	SCREW, 3/8-16x 1in.	4	4	4	4	4	4	4	4	4	4
9	17N621	AIR CONTROLS, air	1	1		1	1	1	1		1	1
	25D529	AIR CONTROLS, with lubricator			1					1		
10	112395	SCREW, cap, flange head	4	4	4	4	4	4	4	4	4	4
11	17S137	HOSE	1	1		1	1	1	1		1	1
	17V125				1					1		
12	25D515	HOSE, suction, 5 gallon	1	1	1	1	1	1	1	1	1	1
13	25D498	TOOL BOX, black	1	1	1	1	1	1	1	1	1	1
14	115248	SCREW, cap, hex head	4	4	4	4	4	4	4	4	4	4
15	114231	NUT, lock, hex	4	4	4	4	4	4	4	4	4	4
18	244524	WIRE, ground assembly with clamp	1	1	1	1	1	1	1	1	1	1
19	24T756	HOSE, fluid		1	1		1		1	1		1
20	XTR724	Gun, spray, XTR		1	1		1		1	1		1
21	206994	FLUID, TSL, 1 qt	1	1	1	1	1	1	1	1	1	1
22	H72506	HOSE, fluid, nylon, 1/4 in.		1	1		1		1	1		1
23	H73850	HOSE, fluid, nylon, 3/8 in.		1	1		1		1	1		1
24	244863	RELIEF VALVE						1	1	1	1	1
25	116746	FITTING, barbed						1	1	1	1	1
26	116750	TUBE						1	1	1	1	1
27	158586	BUSHING										
28	16R883	FITTING, nipple						1	1	1	1	1
29	162505	FITTING, swivel	1	1	1	1	1	1	1	1	1	1
30	113498	VALVE, safety, 110 psi	1	1	1	1	1	1	1	1	1	1
31	17V369	KIT, tool (not shown)	1			1		1				
	17V370			1	1		1		1	1		
33	17V371	KIT, tool (not shown)	1	1	1	1	1					
34	202659	LUBRICANT (not shown)			1					1		
L1▲	15F674	LABEL, safety, motor	1	1	1	1	1	1	1	1	1	1

▲ Replacement Danger and Warning labels are available at no cost.

King Sprayer Cart Packages Parts List (continued)

Ref.	Part	Description	Qty.										
			K60FH0	K60FH1	K60FH2	K60FLO	K60FL1	K60MH2	K60NH0	K60NH1	K60NH2	K60NLO	K60NL1
1	17X355	CART, heavy duty (see Wall Mount Packages Parts , page 34)	1	1	1			1	1	1	1		
	17X356	CART, lightweight (see Wall Mount Packages Parts , page 34)				1	1					1	1
6	-----	PUMP, (see Pump Package Parts , starting on page 36)											
7	100133	WASHER, lock, 3/8	4	4	4	4	4	4	4	4	4	4	4
8	100101	SCREW, 3/8-16x 1in.	4	4	4	4	4	4	4	4	4	4	4
9	17N621	AIR CONTROLS, air	1	1		1	1		1	1		1	1
	25D529	AIR CONTROLS, with lubricator			1			1			1		
10	112395	SCREW, cap, flange head	4	4	4	4	4	4	4	4	4	4	4
11	17S137	HOSE	1	1		1	1		1	1		1	1
	17V125				1			1			1		
12	25D515	HOSE, suction, 5 gallon	1	1	1	1	1	1	1	1	1	1	1
13	25D498	TOOL BOX, black	1	1	1	1	1	1	1	1	1	1	1
14	115248	SCREW, cap, hex head	4	4	4	4	4	4	4	4	4	4	4
15	114231	NUT, lock, hex	4	4	4	4	4	4	4	4	4	4	4
18	244524	WIRE, ground assembly with clamp	1	1	1	1	1	1	1	1	1	1	1
19	24T756	HOSE, fluid		1	1		1	1		1	1		1
20	XTR724	GUN, spray, XTR		1	1		1	1		1	1		1
21	206994	FLUID, TSL, 1 qt	1	1	1	1	1	1	1	1	1	1	1
22	H72506	HOSE, fluid, nylon, 1/4 in.		1	1		1	1		1	1		1
23	H73850	HOSE, fluid, nylon, 3/8 in.		1	1		1	1		1	1		1
24	244863	RELIEF VALVE							1	1	1	1	1
25	116746	FITTING, barbed							1	1	1	1	1
26	116750	TUBE							1	1	1	1	1
27	158586	BUSHING							1	1	1	1	1
28	16R883	FITTING, nipple							1	1	1	1	1
29	162505	FITTING, swivel	1	1	1	1	1	1	1	1	1	1	1
30	113498	VALVE, safety, 110 psi	1	1	1	1	1	1	1	1	1	1	1
31	17V369	KIT, tool (not shown)	1			1			1			1	
	17V370			1	1		1	1		1	1		1
33	17V371	KIT, tool (not shown)	1	1	1	1	1	1					
34	202659	LUBRICANT (not shown)			1			1			1		
L1▲	15F674	LABEL, safety, motor	1	1	1	1	1	1	1	1	1	1	1

▲ Replacement Danger and Warning labels are available at no cost.

King Sprayer Cart Packages Parts List (continued)

Ref.	Part	Description	Qty.										
			K70FH0	K70FH1	K70FH2	K70FLO	K70FL1	K70MH2	K70NH0	K70NH1	K70NH2	K70NLO	K70NL1
1	17X355	CART, heavy duty (see Wall Mount Packages Parts , page 34)	1	1	1			1	1	1	1		
	17X356	CART, lightweight (see Wall Mount Packages Parts , page 34)				1	1					1	1
6	-----	PUMP, (see Pump Package Parts , starting on page 36)											
7	100133	WASHER, lock, 3/8	4	4	4	4	4	4	4	4	4	4	4
8	100101	SCREW, 3/8-16x 1in.	4	4	4	4	4	4	4	4	4	4	4
9	17N621	AIR CONTROLS, air	1	1		1	1		1	1		1	1
	25D529	AIR CONTROLS, with lubricator			1			1			1		
10	112395	SCREW, cap, flange head	4	4	4	4	4	4	4	4	4	4	4
11	17S137	HOSE	1	1		1	1		1	1		1	1
	17V125				1			1			1		
12	25D515	HOSE, suction, 5 gallon	1	1	1	1	1	1	1	1	1	1	1
13	25D498	TOOL BOX, black	1	1	1	1	1	1	1	1	1	1	1
14	115248	SCREW, cap, hex head	4	4	4	4	4	4	4	4	4	4	4
15	114231	NUT, lock, hex	4	4	4	4	4	4	4	4	4	4	4
18	244524	WIRE, ground assembly with clamp	1	1	1	1	1	1	1	1	1	1	1
19	24T756	HOSE, fluid		1	1		1	1		1	1		1
20	XTR724	Gun, spray, XTR		1	1		1	1		1	1		1
21	206994	FLUID, TSL, 1 qt	1	1	1	1	1	1	1	1	1	1	1
22	H72506	HOSE, fluid, nylon, 1/4 in.		1	1		1	1		1	1		1
23	H73850	HOSE, fluid, nylon, 3/8 in.		1	1		1	1		1	1		1
24	244863	RELIEF VALVE							1	1	1	1	1
25	116746	FITTING, barbed							1	1	1	1	1
26	116750	TUBE							1	1	1	1	1
27	158586	BUSHING											
28	16R883	FITTING, nipple							1	1	1	1	1
29	162505	FITTING, swivel	1	1	1	1	1	1	1	1	1	1	1
30	113498	VALVE, safety, 110 psi	1	1	1	1	1	1	1	1	1	1	1
31	17V369	KIT, tool (not shown)	1			1			1			1	
	17V370			1	1		1	1		1	1		1
33	17V371	KIT, tool (not shown)	1	1	1	1	1	1					
34	202659	LUBRICANT (not shown)			1			1			1		
L1▲	15F674	LABEL, safety, motor	1	1	1	1	1	1	1	1	1	1	1

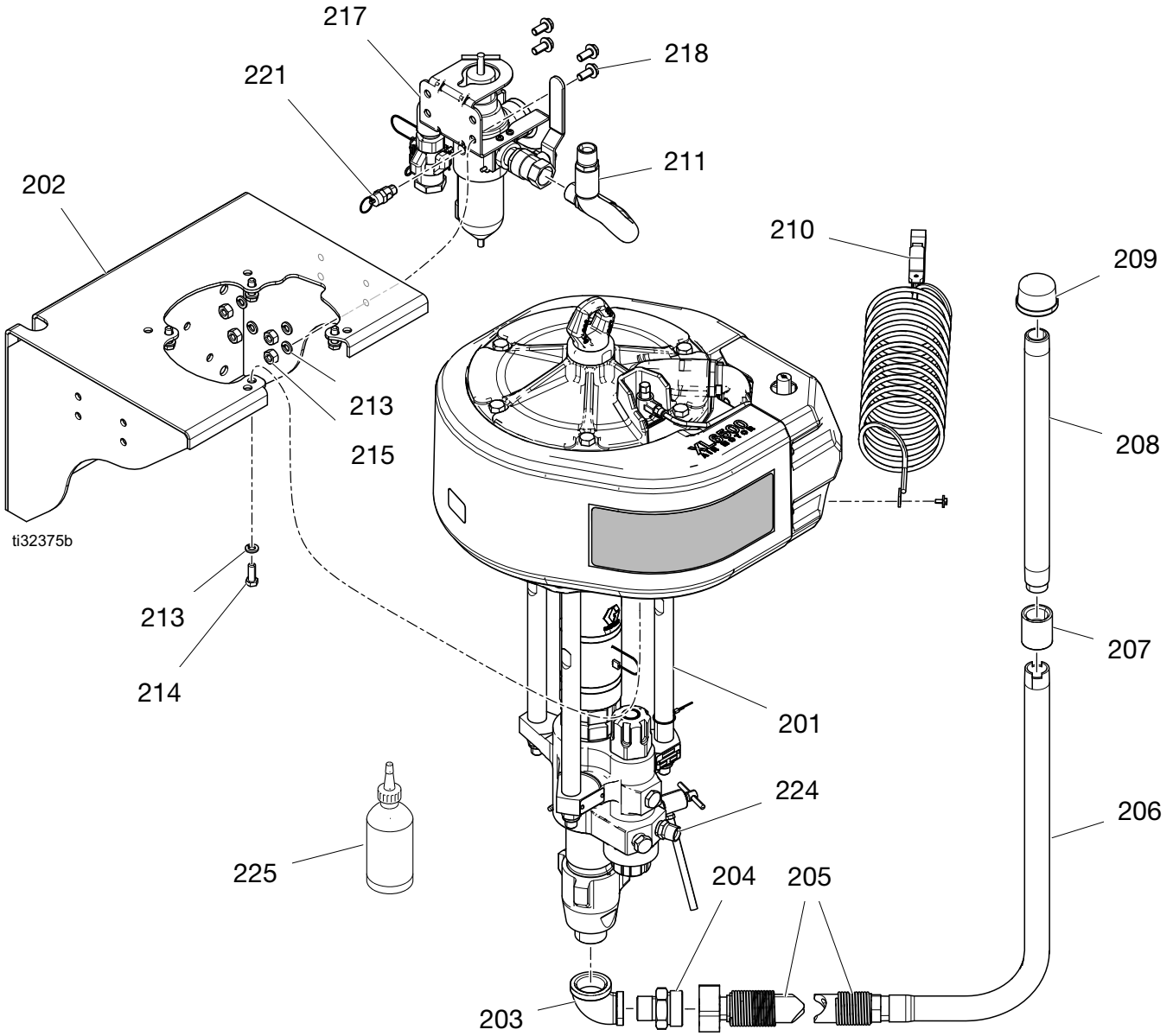
▲ Replacement Danger and Warning labels are available at no cost.

King Sprayer Cart Packages Parts List (continued)

Ref.	Part	Description	Qty.										
			K90FH0	K90FH1	K90FH2	K90FL0	K90FL1	K90MH2	K90NH0	K90NH1	K90NH2	K90NL0	K90NL1
1	17X355	CART, heavy duty (see Wall Mount Packages Parts , page 34)	1	1	1			1	1	1	1		
	17X356	CART, lightweight (see Wall Mount Packages Parts , page 34)				1	1					1	1
6	-----	PUMP, (see Pump Package Parts , starting on page 36)											
7	100133	WASHER, lock, 3/8	4	4	4	4	4	4	4	4	4	4	4
8	100101	SCREW, 3/8-16x 1in.	4	4	4	4	4	4	4	4	4	4	4
9	17N621	AIR CONTROLS, air	1	1		1	1		1	1		1	1
	25D529	AIR CONTROLS, with lubricator			1			1			1		
10	112395	SCREW, cap, flange head	4	4	4	4	4	4	4	4	4	4	4
11	17S137	HOSE	1	1		1	1		1	1		1	1
	17V125				1			1			1		
12	25D515	HOSE, suction, 5 gallon	1	1	1	1	1	1	1	1	1	1	1
13	25D498	TOOL BOX, black	1	1	1	1	1	1	1	1	1	1	1
14	115248	SCREW, cap, hex head	4	4	4	4	4	4	4	4	4	4	4
15	114231	NUT, lock, hex	4	4	4	4	4	4	4	4	4	4	4
18	244524	WIRE, ground assembly with clamp	1	1	1	1	1	1	1	1	1	1	1
19	24T756	HOSE, fluid		1	1		1	1		1	1		1
20	XTR724	Gun, spray, XTR		1	1		1	1		1	1		1
21	206994	FLUID, TSL, 1 qt	1	1	1	1	1	1	1	1	1	1	1
22	H72506	HOSE, fluid, nylon, 1/4 in.		1	1		1	1		1	1		1
23	H73850	HOSE, fluid, nylon, 3/8 in.		1	1		1	1		1	1		1
24	244863	RELIEF VALVE							1	1	1	1	1
25	116746	FITTING, barbed							1	1	1	1	1
26	116750	TUBE							1	1	1	1	1
27	158586	BUSHING											
28	16R883	FITTING, nipple							1	1	1	1	1
29	162505	FITTING, swivel	1	1	1	1	1	1	1	1	1	1	1
30	116643	VALVE, safety, 90 psi	1	1	1	1	1	1	1	1	1	1	1
31	17V369	KIT, tool (not shown)	1			1			1			1	
	17V370			1	1		1	1		1	1		1
33	17V371	KIT, tool (not shown)	1	1	1	1	1	1					
34	202659	LUBRICANT (not shown)			1			1			1		
L1▲	15F674	LABEL, safety, motor	1	1	1	1	1	1	1	1	1	1	1

▲ Replacement Danger and Warning labels are available at no cost.

Wall Mount Packages Parts



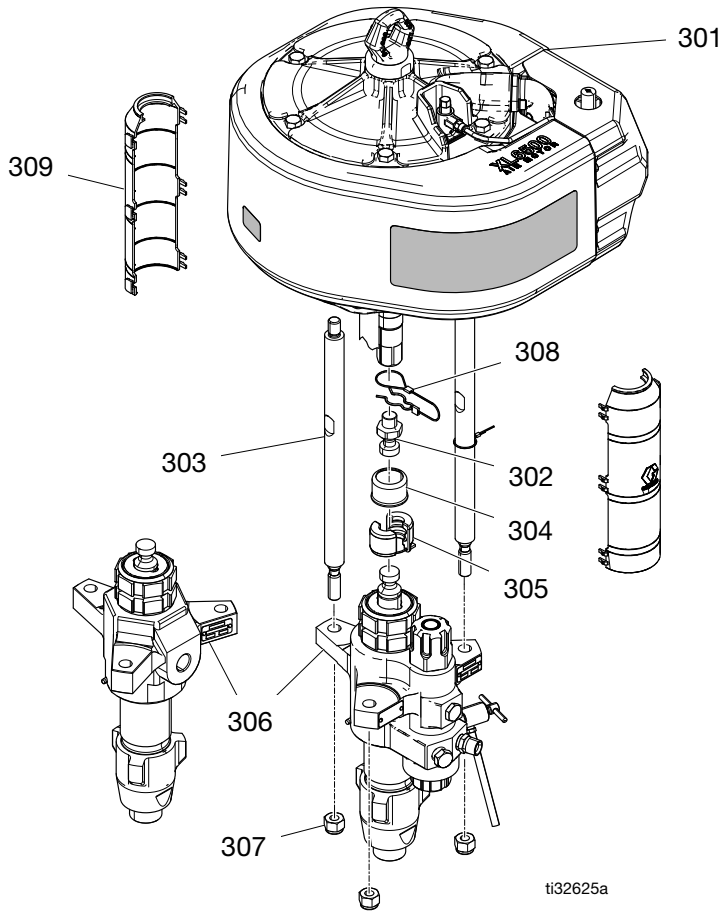
NOTE: Apply stainless steel pipe sealant to all non-swiveling pipe threads.

Wall Mount Packages Parts List

Ref.	Part	Description	Qty.																					
			K25FW0	K25FW1	K30FW0	K30FW1	K30MW1	K40FW0	K40FW1	K40MW1	K45FW0	K45FW1	K45MW1	K50FW0	K50FW1	K59FW0	K59FW1	K60FW0	K60FW1	K60MW1	K70FW0	K70FW1	K70MW1	
201	-----	PUMP, (see Circulation Kit (238588) , page 41)																						
202	24X181	BRACKET, wall	1	1	1	1	1	1	1	1	1	1	1	1	1	1	1	1	1	1	1	1	1	
203	116401	ADAPTER, elbow	1	1	1	1	1	1	1	1	1	1	1	1	1	1	1	1	1	1	1	1	1	
204	116402	ADAPTER, Qconnect	1	1	1	1	1	1	1	1	1	1	1	1	1	1	1	1	1	1	1	1	1	
205	247301	HOSE, suction, 1 in. npt	1	1	1	1	1	1	1	1	1	1	1	1	1	1	1	1	1	1	1	1	1	
206	197682	TUBE, suction	1	1	1	1	1	1	1	1	1	1	1	1	1	1	1	1	1	1	1	1	1	
207	116967	COUPLING, pipe, 1 in.	1	1	1	1	1	1	1	1	1	1	1	1	1	1	1	1	1	1	1	1	1	
208	195151	TUBE, intake	1	1	1	1	1	1	1	1	1	1	1	1	1	1	1	1	1	1	1	1	1	
209	181072	STRAINER, inlet	1	1	1	1	1	1	1	1	1	1	1	1	1	1	1	1	1	1	1	1	1	
210	244542	WIRE, ground assembly, with clamp	1	1	1	1	1	1	1	1	1	1	1	1	1	1	1	1	1	1	1	1	1	
211	17S137	HOSE, coupled, 13.75 in.	1	1	1	1	1	1	1	1	1	1	1	1	1	1	1	1	1	1	1	1	1	
213	100133	WASHER, lock, 3/8 in.	8	8	8	8	8	8	8	8	8	8	8	8	8	8	8	8	8	8	8	8	8	
214	100101	SCREW, 3/8-16 x 1 in.	4	4	4	4	4	4	4	4	4	4	4	4			4	4	4	4	4	4	4	
	100575														4	4								
215	100131	NUT, full hex	4	4	4	4	4	4	4	4	4	4	4	4	4	4	4	4	4	4	4	4	4	
217	25D649	MODULE, air, wall mount, 3/4 in.	1	1	1	1	1	1	1	1	1	1	1	1	1	1	1	1	1	1	1	1	1	
218	111192	SCREW, cap, flange head	4	4	4	4	4	4	4	4	4	4	4	4	4	4	4	4	4	4	4	4	4	
221	113498	VALVE, safety, 110 psi	1	1	1	1	1	1	1	1	1	1	1	1	1	1	1	1	1	1	1	1	1	
222	H42506	HOSE, fluid, nylon, 1/4 in. (not shown)		1		1	1		1	1		1	1											
	H52506													1										
	H72506															1		1	1			1	1	
223	H43850	HOSE, fluid, nylon, 3/8 in. (not shown)		1		1	1		1	1		1	1											
	H53850													1										
	H73850															1		1	1			1	1	
224	162505	FITTING, nipple	1	1	1	1	1	1	1	1	1	1	1	1	1	1	1	1	1	1	1	1	1	
225	206994	FLUID, TSL, 1 qt	1	1	1	1	1	1	1	1	1	1	1	1	1	1	1	1	1	1	1	1	1	
230	XTR524	GUN, XTR (not shown)		1		1	1		1	1		1	1		1									
	XTR724															1		1	1			1	1	

Pump Package Parts

Description	Pump List Page
Pump Packages with L180C# Lower (40:1, 70:1 ratio)	38
Pump Packages with L220C# Lower (30:1, 60:1 ratio)	38
Pump Packages with L250C# Lower (50:1 ratio)	39
Pump Packages with L290C# Lower (25:1, 45:1 ratio)	39
Pump Packages with L145C# Lower (90:1 ratio)	39



Ref.	Part	Description	Qty.	Ref.	Part	Description	Qty.
301	-----	MOTOR, standard (see Pump Page Parts table above)	1	305	244819	COUPLING, assembly, 145–290 Xtreme	1
302	15H392	ROD, adapter	1	306	-----	LOWER, Xtreme, (see Pump Packages table above)	1
303	15F837	ROD, tie, 14–1/4 long	3	307	101712	NUT, lock	3
304	197340	COVER, coupler	1	308	244820	CLIP, hairpin (w/lanyard)	1
				309	17S727	GUARD, rod coupler	2

Packages with L180C# Lower (40:1, 70:1 Ratio)

Sprayer Package	Pump Package	Lower	Air Motor
K40FH0	P40HC2	L180C2	XL34D0
K40FH1	P40HC2	L180C2	XL34D0
K40FH2	P40HC2	L180C2	XL34D0
K40FL0	P40HC2	L180C2	XL34D0
K40FL1	P40HC2	L180C2	XL34D0
K40FW0	P40HC2	L180C2	XL34D0
K40FW1	P40HC2	L180C2	XL34D0
K40MH2	P40HM2	L180M2	XL34D0
K40MW1	P40HM2	L180M2	XL34D0
K40NH0	P40HC2	L180C2	XL34D0
K40NH1	P40HC2	L180C2	XL34D0
K40NH2	P40HC2	L180C2	XL34D0
K40NL0	P40HC2	L180C2	XL34D0
K40NL1	P40HC2	L180C2	XL34D0

Sprayer Package	Pump Package	Lower	Air Motor
K70FH0	P70HC2	L180C2	XL65D0
K70FH1	P70HC2	L180C2	XL65D0
K70FH2	P70HC2	L180C2	XL65D0
K70FL0	P70HC2	L180C2	XL65D0
K70FL1	P70HC2	L180C2	XL65D0
K70FW0	P70HC2	L180C2	XL65D0
K70FW1	P70HC2	L180C2	XL65D0
K70MH2	P70HM2	L180M2	XL65D0
K70MW1	P70HM2	L180M2	XL65D0
K70NH0	P70HC2	L180M2	XL65D0
K70NH1	P70HC2	L180M2	XL65D0
K70NH2	P70HC2	L180C2	XL65D0
K70NL0	P70HC2	L180C2	XL65D0
K70NL1	P70HC2	L180C2	XL65D0

Packages with L220C# Lower (30:1, 60:1 Ratio)

Sprayer Package	Pump Package	Lower	Air Motor
K30FH0	P30HC2	L220C2	XL34D0
K30FH1	P30HC2	L220C2	XL34D0
K30FH2	P30HC2	L220C2	XL34D0
K30FL0	P30HC2	L220C2	XL34D0
K30FL1	P30HC2	L220C2	XL34D0
K30FW0	P30HC2	L220C2	XL34D0
K30FW1	P30HC2	L220C2	XL34D0
K30MH2	P30HM2	L220M2	XL34D0
K30MW1	P30HM2	L220M2	XL34D0
K30NH0	P30HC1	L220C1	XL34D0
K30NH1	P30HC1	L220C1	XL34D0
K30NH2	P30HC1	L220C1	XL34D0
K30NL0	P30HC1	L220C1	XL34D0
K30NL1	P30HC1	L220C1	XL34D0

Sprayer Package	Pump Package	Lower	Air Motor
K60FH0	P60HC2	L220C2	XL65D0
K60FH1	P60HC2	L220C2	XL65D0
K60FH2	P60HC2	L220C2	XL65D0
K60FL0	P60HC2	L220C2	XL65D0
K60FL1	P60HC2	L220C2	XL65D0
K60FW0	P60HC2	L220C2	XL65D0
K60FW1	P60HC2	L220C2	XL65D0
K60MH2	P60HM2	L220M2	XL65D0
K60MW1	P60HM2	L220M2	XL65D0
K60NH0	P60HC1	L220C1	XL65D0
K60NH1	P60HC1	L220C1	XL65D0
K60NH2	P60HC1	L220C1	XL65D0
K60NL0	P60HC1	L220C1	XL65D0
K60NL1	P60HC1	L220C1	XL65D0

Packages with L250C# Lowers (50:1 Ratio)

Sprayer Package	Pump Package	Lower	Motor
K50FH0	P50HC2	L250C2	XL65D0
K50FH1	P50HC2	L250C2	XL65D0
K50FH2	P50HC2	L250C2	XL65D0
K50FL0	P50HC2	L250C2	XL65D0
K50FL1	P50HC2	L250C2	XL65D0
K50FW0	P50HC2	L250C2	XL65D0
K50FW1	P50HC2	L250C2	XL65D0
K50NH0	P50HC1	L250C1	XL65D0
K50NH1	P50HC1	L250C1	XL65D0
K50NH2	P50HC1	L250C1	XL65D0
K50NL0	P50HC1	L250C1	XL65D0
K50NL1	P50HC1	L250C1	XL65D0

Packages with L290C# Lowers (25:1, 45:1 Ratio)

Sprayer Package	Pump Package	Lower	Motor
K25FH0	P25HC2	L290C2	XL34D0
K25FH1	P25HC2	L290C2	XL34D0
K25FH2	P25HC2	L290C2	XL34D0
K25FL0	P25HC2	L290C2	XL34D0
K25FL1	P25HC2	L290C2	XL34D0
K25FW0	P25HC2	L290C2	XL34D0
K25FW1	P25HC2	L290C2	XL34D0
K25NH0	P25HC1	L290C1	XL34D0
K25NH1	P25HC1	L290C1	XL34D0
K25NH2	P25HC1	L290C1	XL34D0
K25NL0	P25HC1	L290C1	XL34D0
K25NL1	P25HC1	L290C1	XL34D0
K45FH0	P45HC2	L290C2	XL65D0
K45FH1	P45HC2	L290C2	XL65D0
K45FH2	P45HC2	L290C2	XL65D0
K45FL0	P45HC2	L290C2	XL65D0
K45FL1	P45HC2	L290C2	XL65D0
K45FW0	P45HC2	L290C2	XL65D0
K45FW1	P45HC2	L290C2	XL65D0
K45MH2	P45HM2	L290M2	XL65D0
K45MW1	P45HM2	L290M2	XL65D0

Sprayer Package	Pump Package	Lower	Motor
K45NH0	P45HC1	L290C1	XL65D0
K45NH1	P45HC1	L290C1	XL65D0
K45NH2	P45HC1	L290C1	XL65D0
K45NL0	P45HC1	L290C1	XL65D0
K45NL1	P45HC1	L290C1	XL65D0

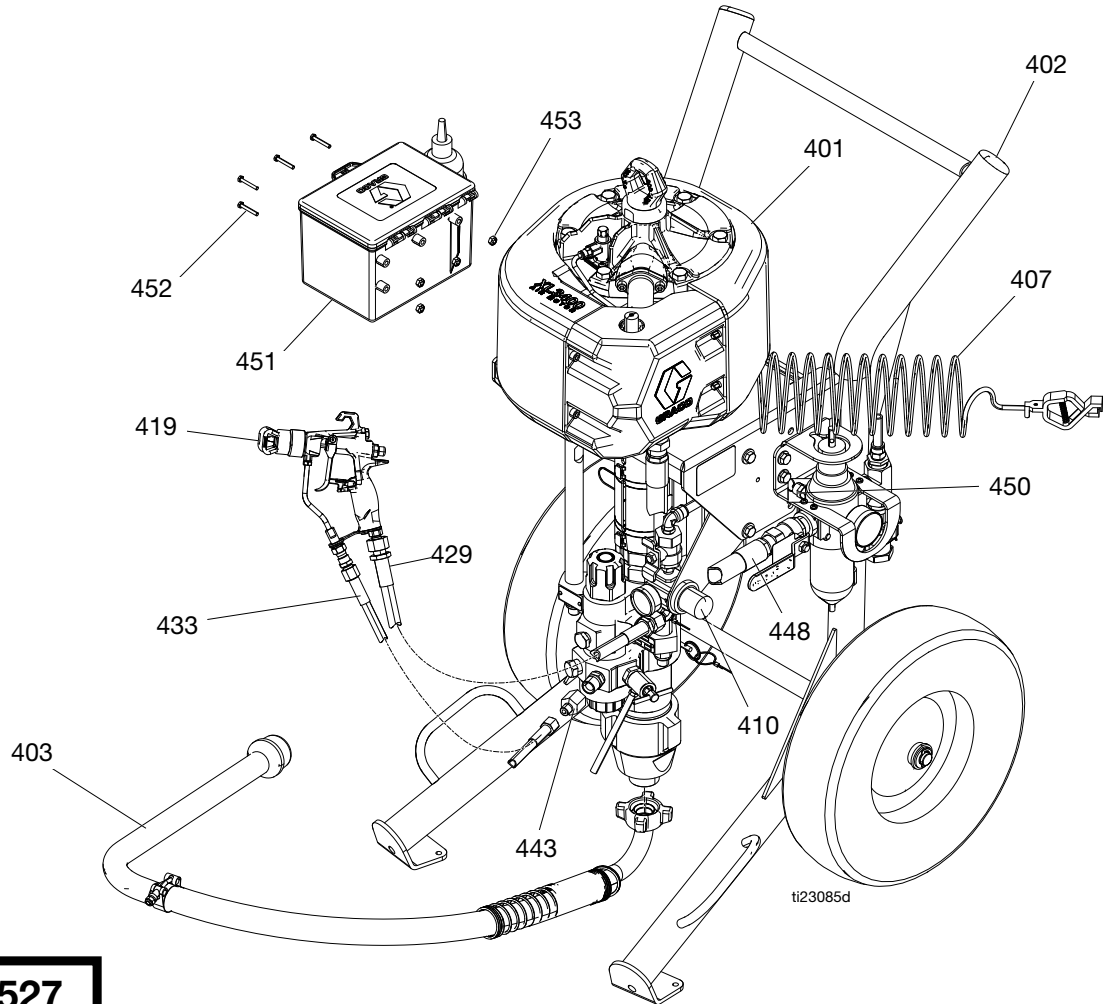
Packages with L145C# Lowers (90:1 Ratio)

Sprayer Package	Pump Package	Lower	Motor
K90FH0	P90HC2	L145C2	XL65D0
K90FH1	P90HC2	L145C2	XL65D0
K90FH2	P90HC2	L145C2	XL65D0
K90FL0	P90HC2	L145C2	XL65D0
K90FL1	P90HC2	L145C2	XL65D0
K90MH2	P90HM2	L145M2	XL65D0
K90NH0	P90HC1	L145C1	XL65D0
K90NH1	P90HC1	L145C1	XL65D0
K90NH2	P90HC1	L145C1	XL65D0
K90NL0	P90HC1	L145C1	XL65D0
K90NL1	P90HC1	L145C1	XL65D0

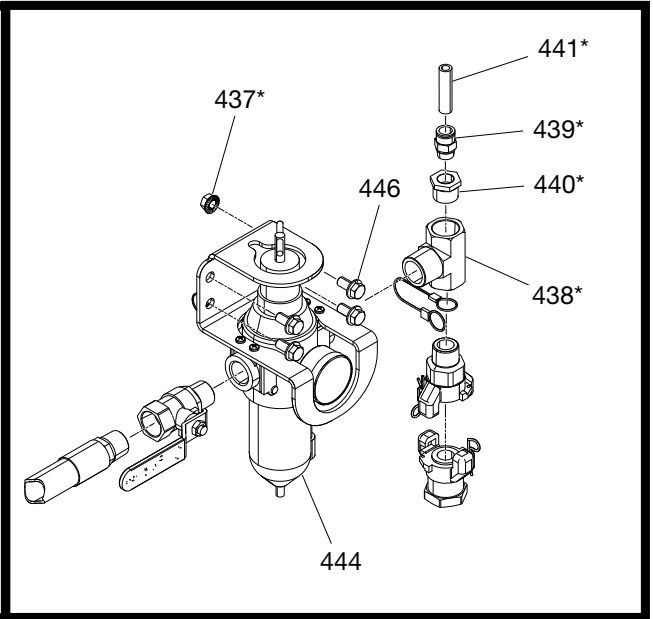
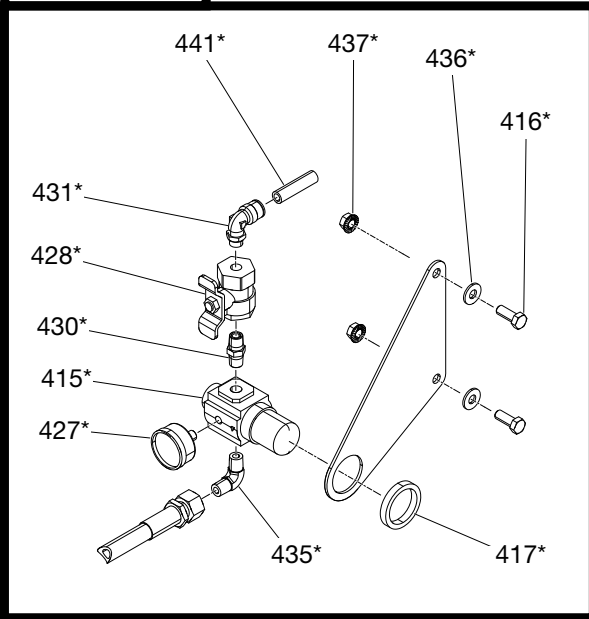
Packages with LXXXC# Lowers (39:1 Ratio)

Sprayer Package	Pump Package	Lower	Motor
K59FH0	P59HC2	L115C2	XL34D0
K59FH1	P59HC2	L115C2	XL34D0
K59FH2	P59HC2	L115C2	XL34D0
K59FL0	P59HC2	L115C2	XL34D0
K59FL1	P59HC2	L115C2	XL34D0
K59FL2	P59HC2	L115C2	XL34D0
K59FW0	P59HC2	L115C2	XL34D0
K59FW1	P59HC2	L115C2	XL34D0
K59NH0	P59CH1	L115C1	XL34D0
K59NH1	P59CH1	L115C1	XL34D0
K59NH2	P59CH1	L115C1	XL34D0
K59NL0	P59CH1	L115C1	XL34D0
K59NL1	P59CH1	L115C1	XL34D0

Air Assisted Sprayer Packages



288527



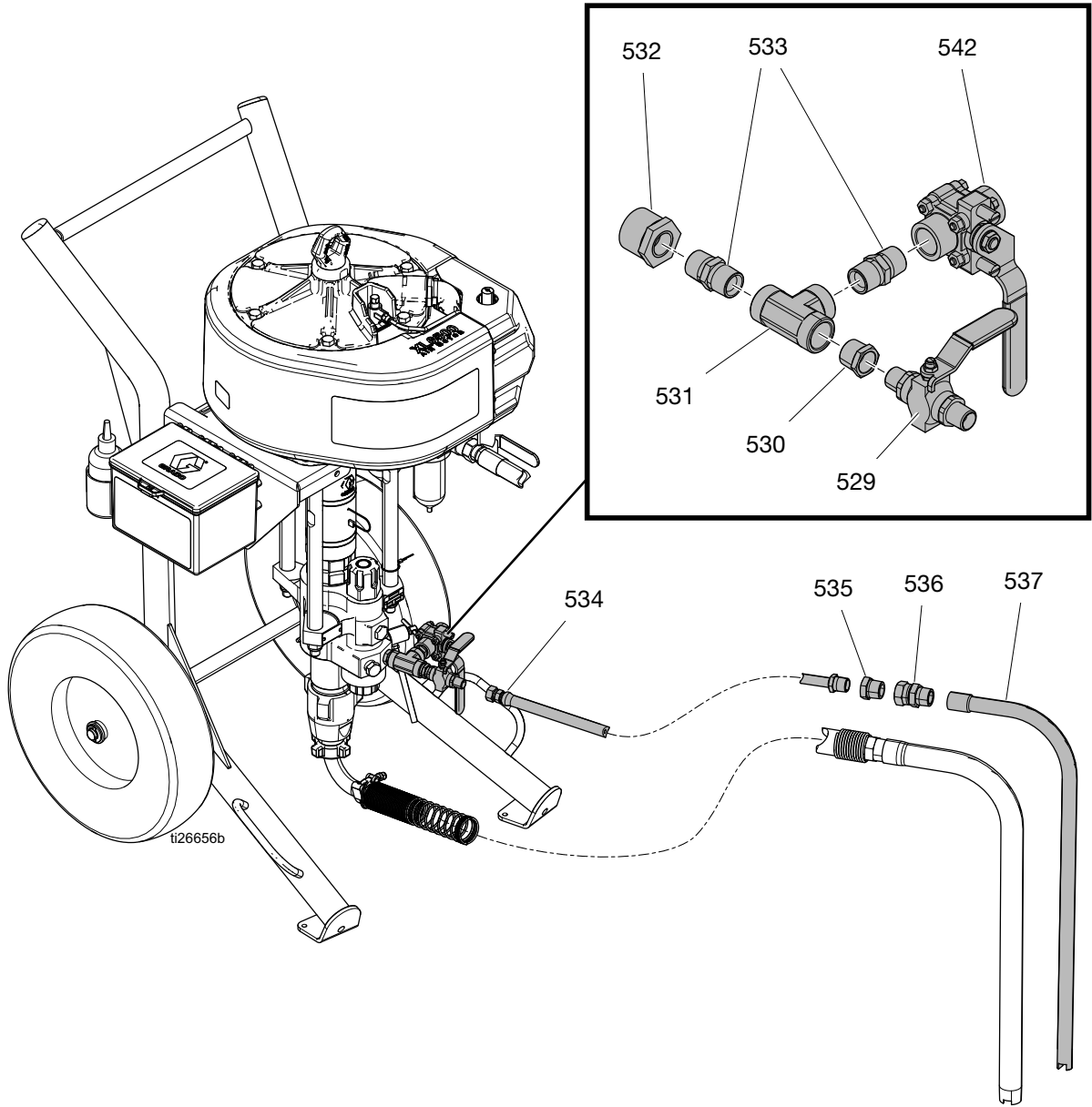
Air-Assisted Sprayer Packages Parts List**Models 287975 and 287976**

Ref.	Part	Description	Qty.
401	P30HC2	PUMP, assy. 287975	1
	P40HC2	PUMP, assy. 287976	1
402	17X355	CART, heavy duty	1
403	25D515	TUBE, suction	1
407	244524	WIRE, ground assembly w/ clamp	1
410*	288527	KIT, air assist	1
415*	116513	REGULATOR, air, gun	1
416*	100101	SCREW, mounting, cap, hex hd	6
417*	116514	NUT, regulator mount	1
418*	100133	WASHER, lock	4
419	26B518	GUN, spray	1
425	206994	FLUID, TSL	1
427*	108190	GAUGE, pressure, gun	1
428*	116473	VALVE, ball, vented, 2 way	1
429	210868	HOSE, air, coupled, 50 ft.	1
430*	156971	NIPPLE, short	1
431*	114128	ELBOW, male, swivel	1
433	H52550	HOSE, fluid; nylon, 1/4 in. ID; 1/4 npsm(fbe); 50 ft.	1
435*	111763	ELBOW, 1/4 npt	1
436*	100023	WASHER, flat	2
437*	112958	NUT, hex, flanged	2
438*	C20900	FITTING, tee, run	1
439*	114129	CONNECTOR, male	1
440*	100505	BUSHING, pipe	1
441*	-----	TUBE, 1/2 in.	1
443	159842	ADAPTER, bushing, 1/4 npt(m) x 1/2 npt(f)	1
444	17N621	CONTROLS, air, heavy duty cart	1
446	112395	SCREW, cap, flnghd	4
448	17S137	HOSE, coupled, 13.75 in.	1
450	113498	VALVE, safety, 110 psi	1
451	25D498	TOOL BOX, color, black	1
452	115248	SCREW, cap, hex, hd	4
453	114231	NUT, lock, hex	4

* Not shown.

* Included in Air-Assist Kit 288527.

Circulation Kit (238588)

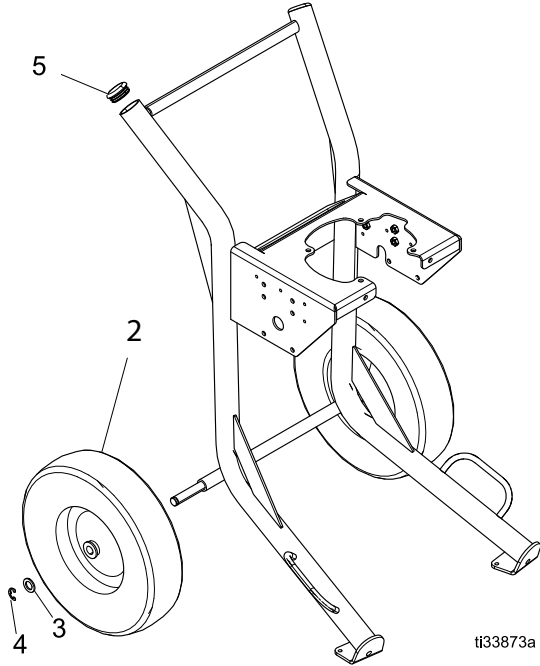


Ref.	Part	Description	Qty.	Ref.	Part	Description	Qty.
529	238612	VALVE, ball	1	534	235148	HOSE, coupled, 6 ft	1
530	100081	BUSHING, pipe	1	535	100896	FITTING, bushing, pipe	1
531	502570	FITTING, tee, pipe	1	536	157785	FITTING, swivel	1
532*	100380	BUSHING, pipe	1	537	165767	TUBE, suction	1
	157191	FITTING, adapter	1	542	24P719	VALVE, ball	1
533	158491	FITTING, nipple	1				

* Use adapter needed to fit pump outlet.

Cart Parts

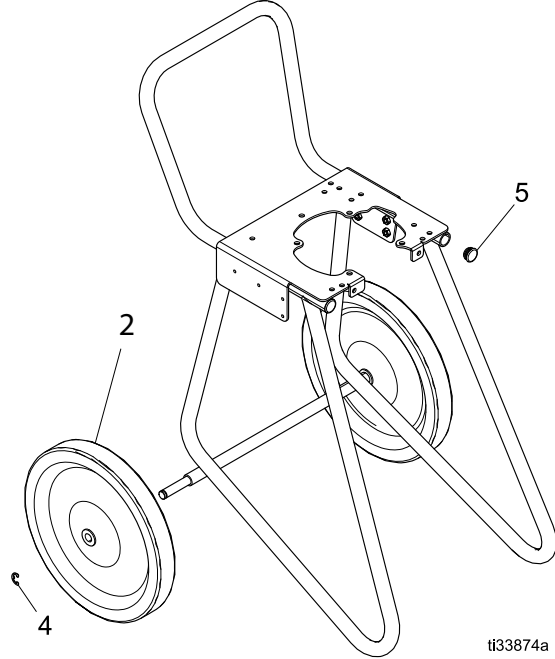
17X355 - Heavy Duty Cart



ti33873a

Ref.	Part	Description	Qty.
2	113362	WHEEL, semi-pneumatic	2
3	154628	WASHER	2
4	113436	RING, retaining	2
5	113361	CAP, tube, round	2

17X356 - Light Weight Cart

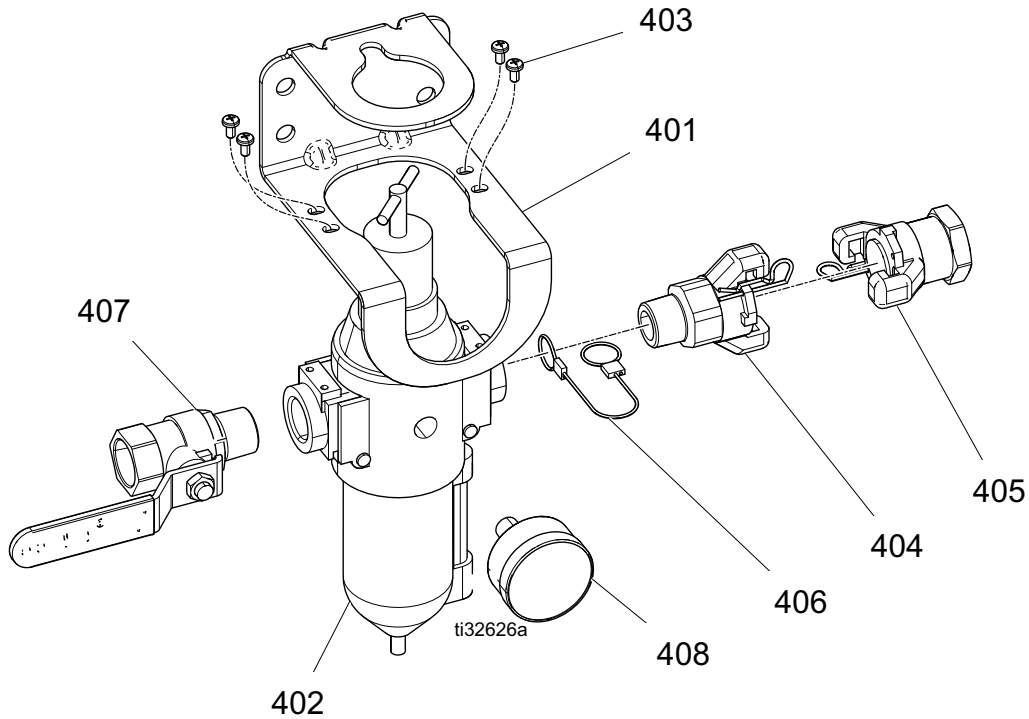


ti33874a

Ref.	Part	Description	Qty.
2	116406	WHEEL, semi-pneumatic	2
4	113436	RING, retaining	2
5	16W767	PLUG, tubing	2

Air Controls

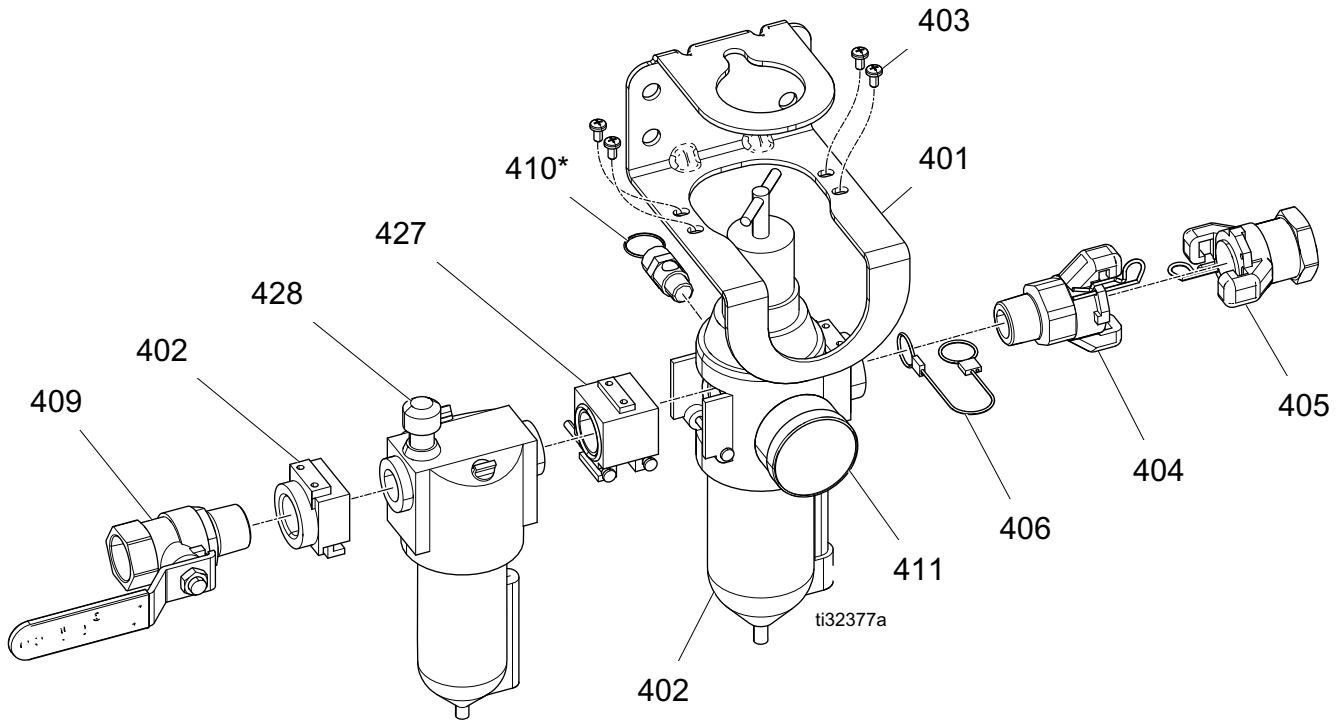
Model 17N621



17N621 Parts List

Ref.	Part	Description	Qty.
401	17U995	BRACKET, air controls, painted	1
402	116521	REGULATOR, filter, air	1
403	103833	SCREW, mach, CRBH	4
404	113429	COUPLING, universal	1
405	113430	COUPLING, universal	1
406	16W586	CABLE, lanyard, whip check	1
407	113218	VALVE, ball, vented, 0.750	1
408	101689	GAUGE, press, air	1

Model 25D529



25D529 Parts List

Ref.	Part	Description	Qty.
401	17U995	BRACKET, air controls, painted	1
402	116521	REGULATOR, filter, air	1
403	103833	SCREW, mach, CRBH	4
404	113429	COUPLING, universal	1
405	113430	COUPLING, universal	1
406	16W586	CABLE, lanyard, whip check	1
409	113218	VALVE, ball, vented, 0.750	1
410*	-----	SAFETY VALVE	1
411	101689	GAUGE, press, air	1
427	116522	KIT, conversion, air control	1
428	C11034	LUBRICATOR, air	1

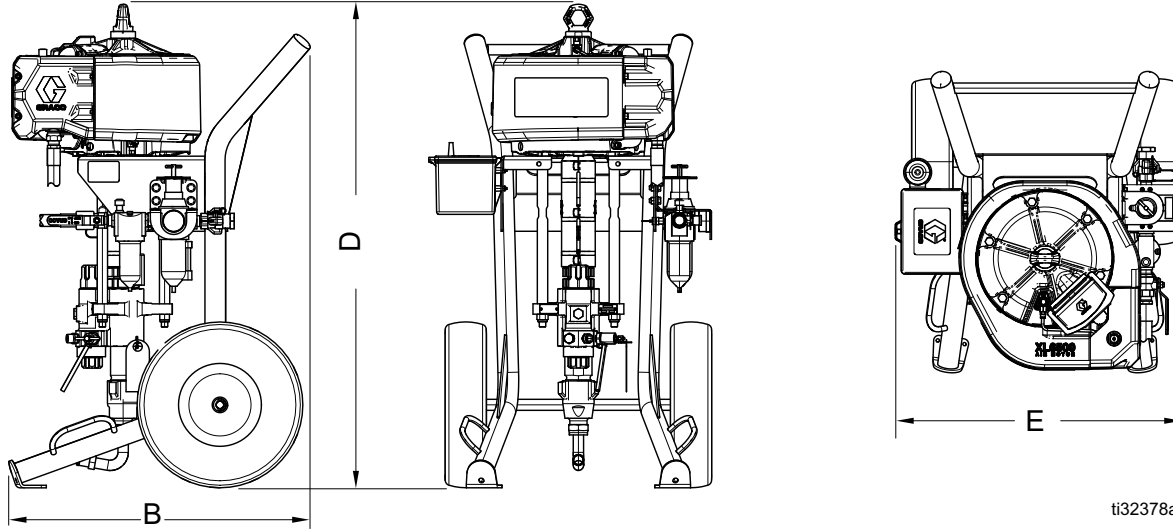
* Not included with air controls. Order separately.

Accessories

Part	Description
17V369	Air Filter Element
238588	Circulation Kit
24X550	Datatrak Kit
24X552	Datatrak Kit with Solenoid
24X570	Hopper Kit
17V371	Kit, Pump Filter (60 mesh)
224458	Kit, 30 mesh Strainer, 2-pack
224459	Kit, 60 mesh Strainer, 2-pack
202659	Lube, Air Motor
206994	TSL, Fluid

Dimensions

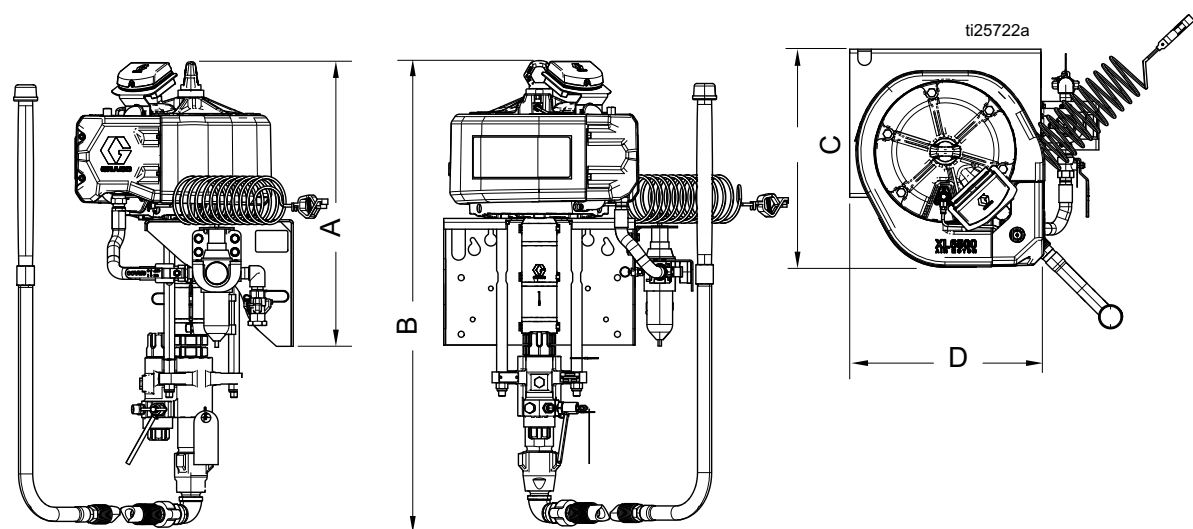
Sprayer Cart Packages



ti32378a

Mount	B	D	E
Xtreme	28.5 in. (72.4 cm)	51 in. (129.5 cm)	25.75 in. (65.4 cm)

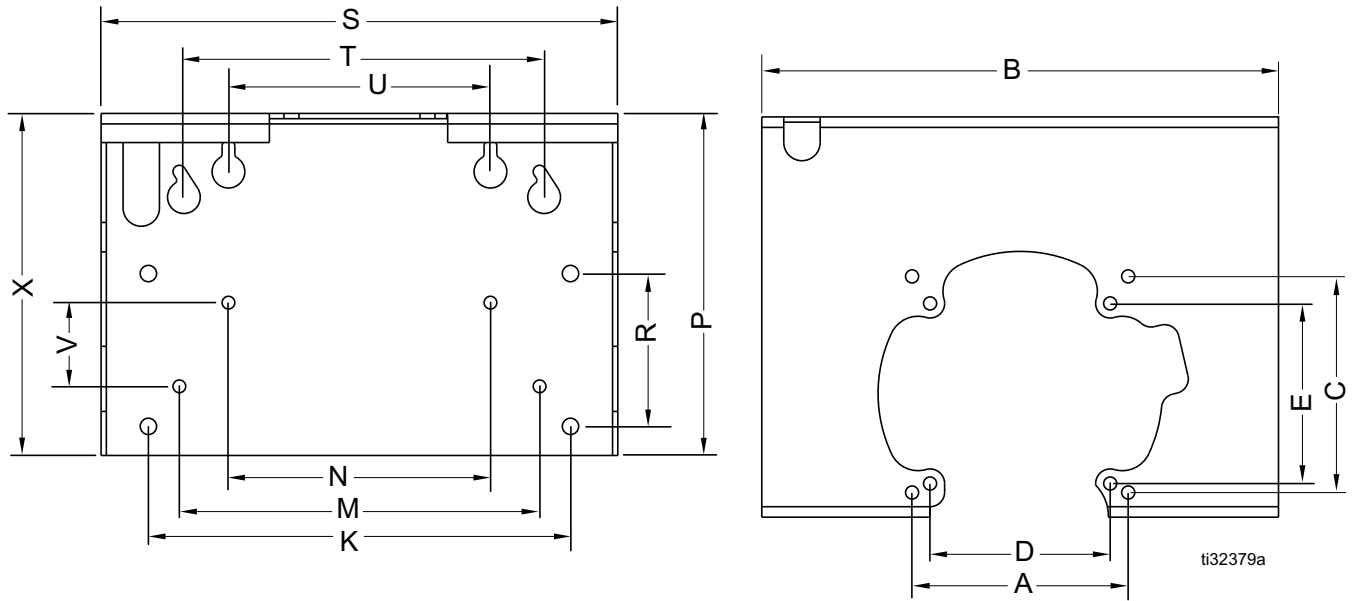
Sprayer Cart Packages



ti25722a

Mount	A	B	C	D
Xtreme	26.25 in. (66.7 cm)	43.5 in. (110.5 cm)	22.0 in. (55.9 cm)	23.0 in. (58.4 cm)

Wall Mount Bracket Mounting Hole Diagram



Ref.	Dimensions
A	7.424 in. (188.5 mm)
B	7.75 in. (450.8 mm)
C	7.424 in. (188.5 mm)
D	6.186 in. (157 mm)
E	6.186 in. (157 mm)
K	14.50 in. (368.3 mm)
M	12.375 in. (314.3 mm)
N	9.0 in. (228.6 mm)
P	11.75 in. (298.45 mm)
R	5.25 in. (133.3 mm)
S	17.75 in. (450.8 mm)
T	17.75 in. (450.8 mm)
U	9.0 in. (228.6 mm)
V	2.875 in. (73 mm)
X	11.75 in. (298.4 mm)

Performance Charts

Calculate Fluid Outlet Pressure

To calculate fluid outlet pressure (psi/MPa/bar) at a specific fluid flow (gpm/lpm) and operating air pressure (psi/MPa/bar), use the following instructions and pump data charts.

1. Locate desired flow along the bottom of the chart.
2. Follow the vertical line up to the intersection with the selected fluid outlet pressure curve. Follow left to scale to read fluid outlet pressure.

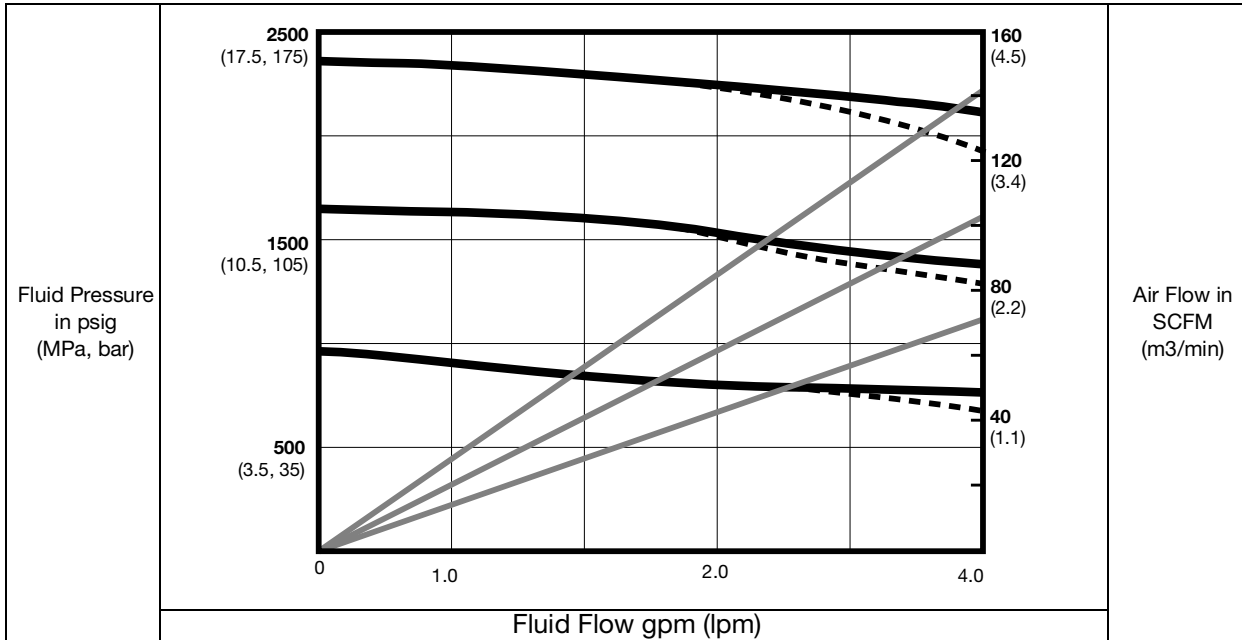
Calculate Pump Air Flow/Consumption

To calculate pump air/consumption (scfm or m³/min) at a specific fluid flow (gpm/lpm) and air pressure (psi/MPa/bar), use the following instructions and pump data charts.

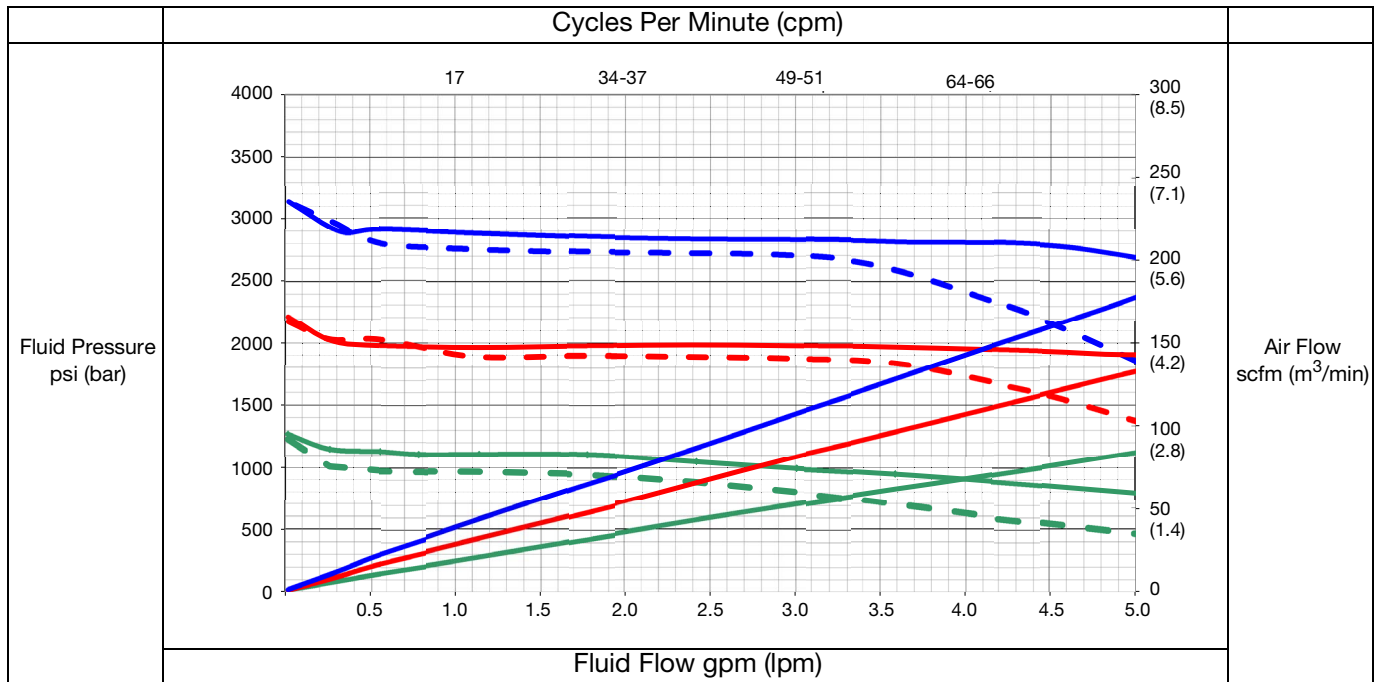
1. Locate desired flow along the bottom of the chart.
2. Follow the vertical line up to the intersection with the selected fluid outlet pressure curve. Follow right to scale to read air flow consumption.

Ref.	Pressure
A	100 psi (0.7 MPa, 7 bar)
B	70 psi (480 MPa, 4.8 bar)
C	40 psi (280 MPa, 2.8 bar)

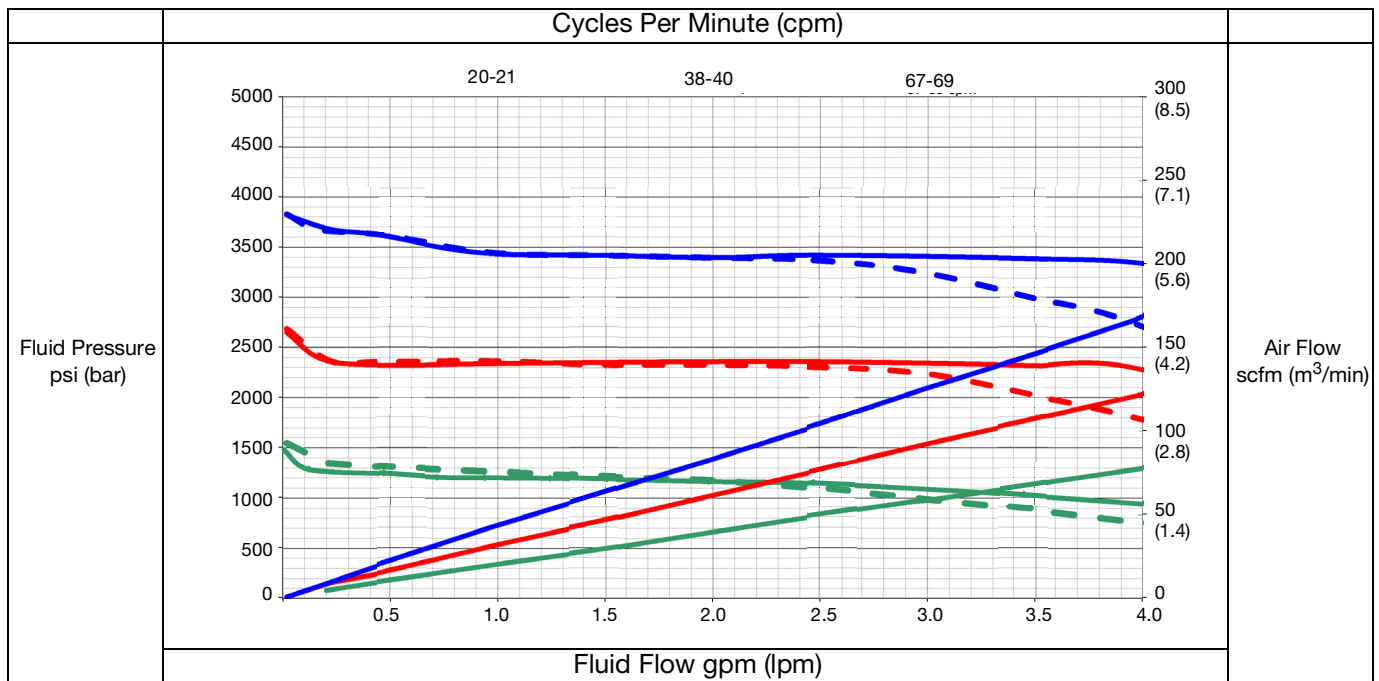
25:1



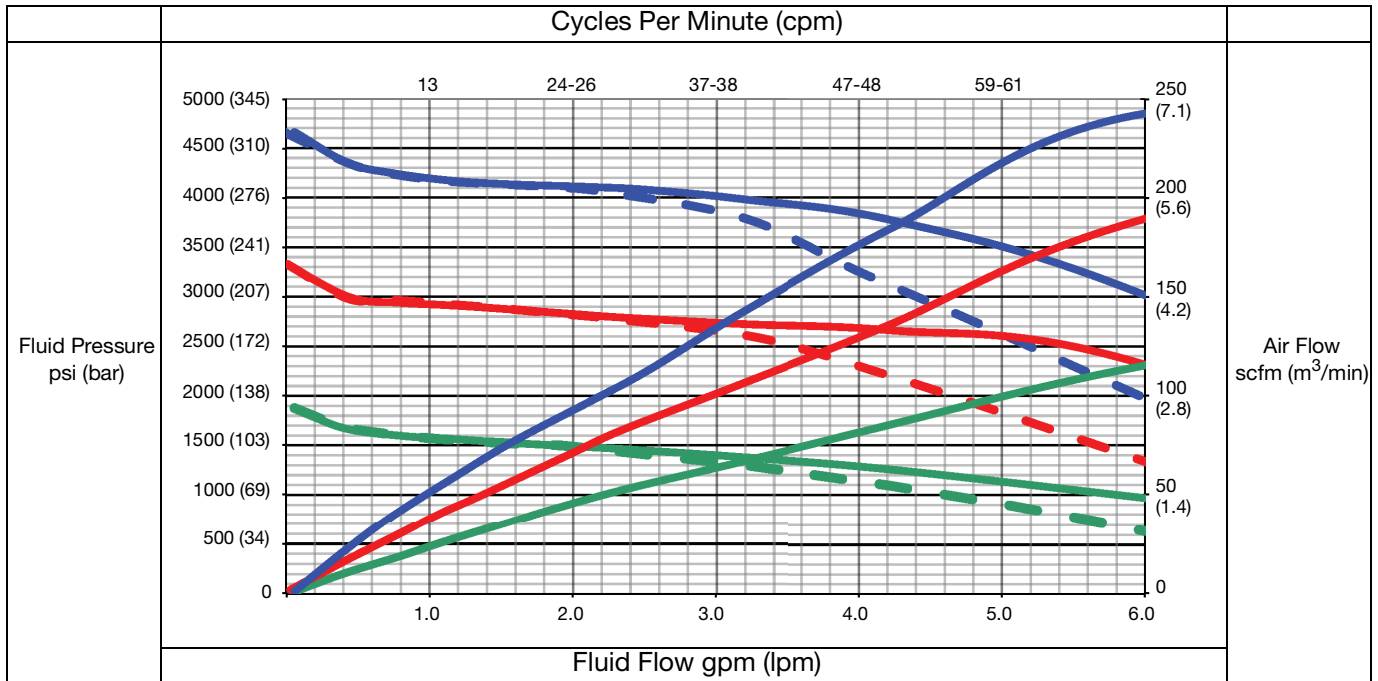
30:1



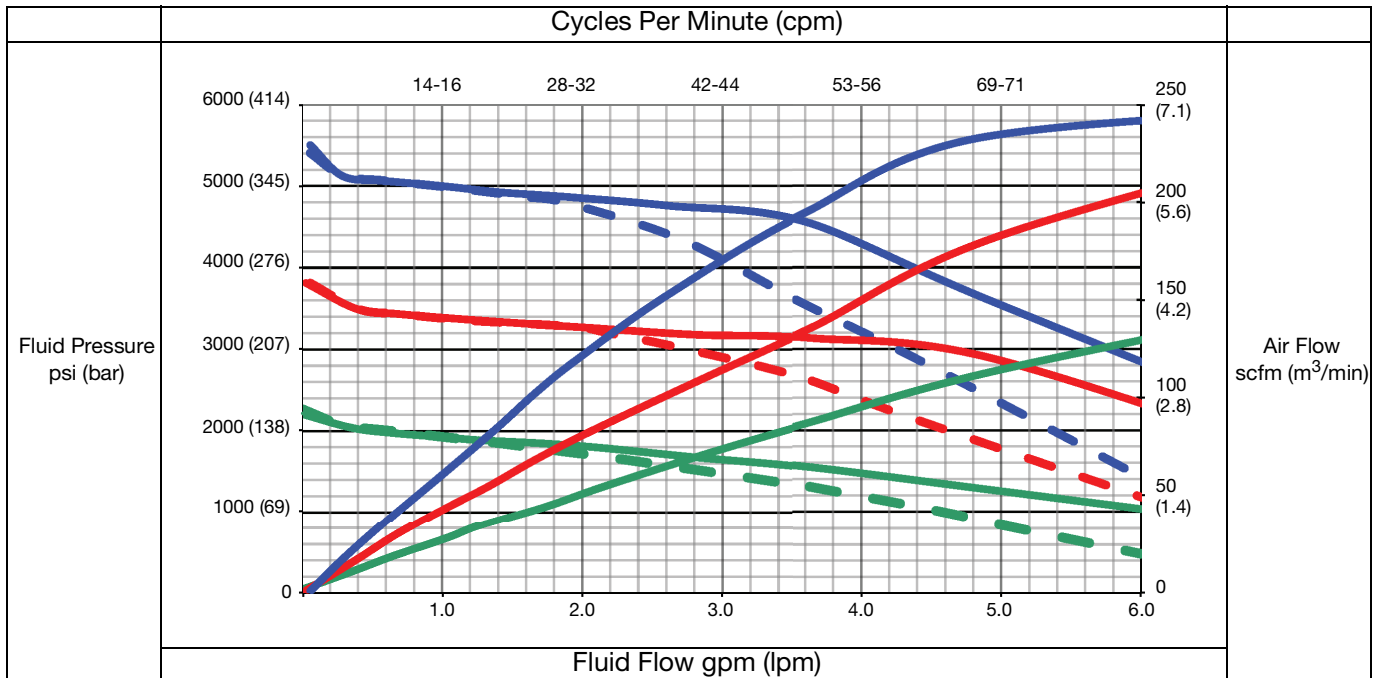
40:1



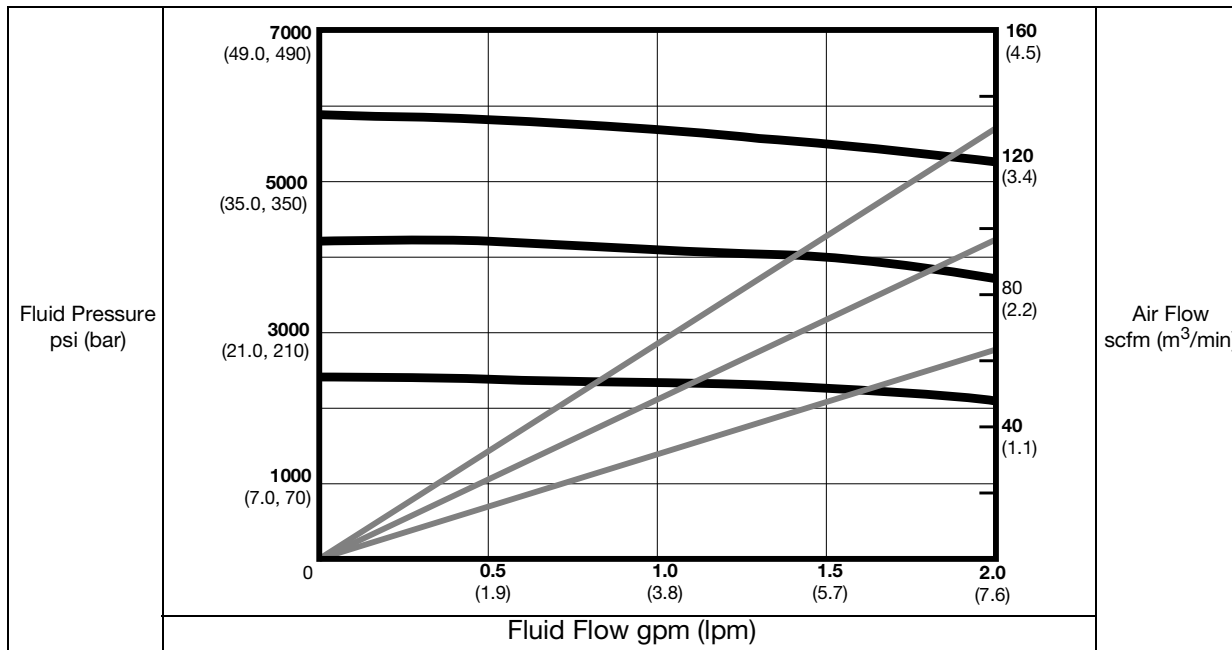
45:1



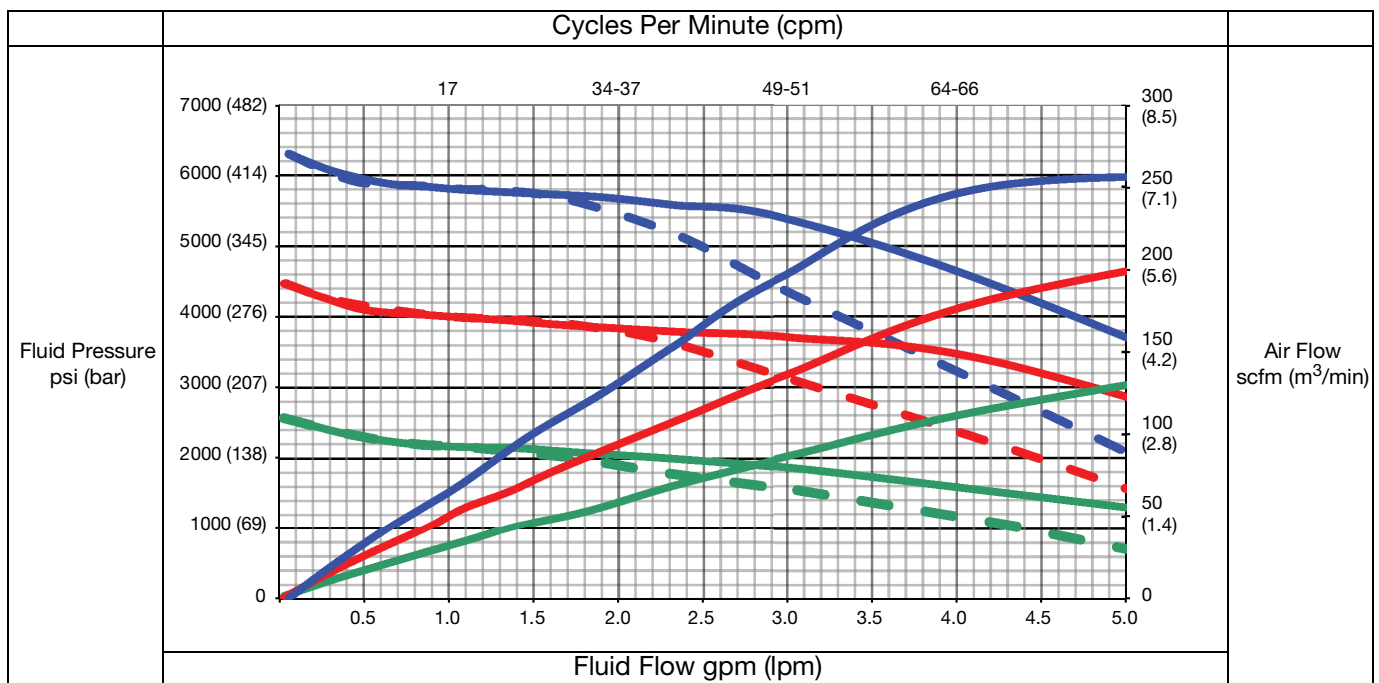
50:1



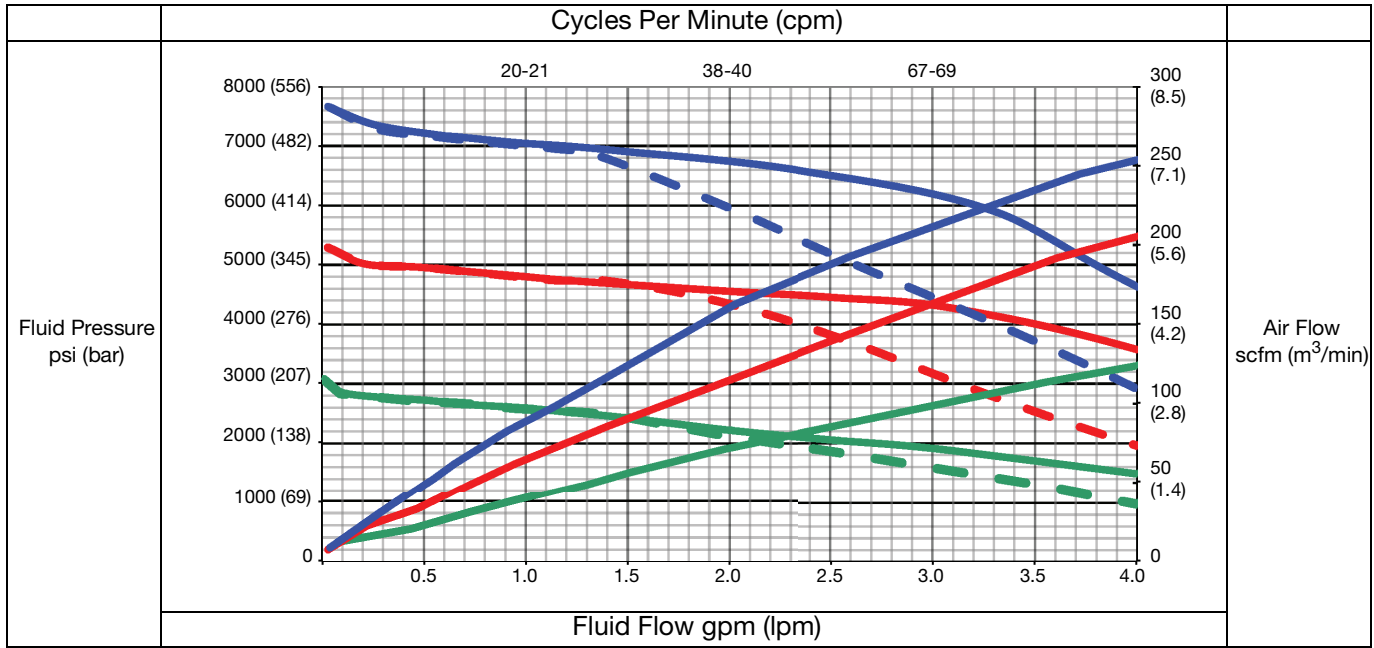
59:1



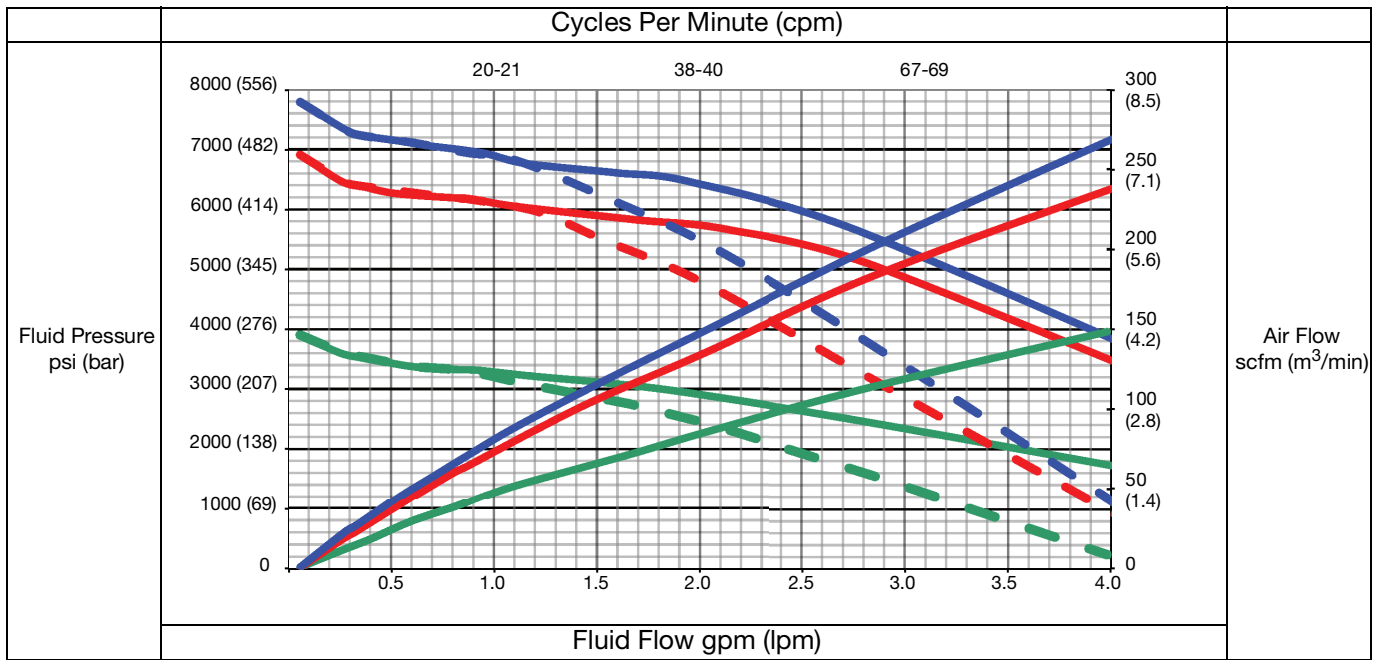
60:1



70:1



90:1



Technical Specifications

King Spray Packages		
	US	Metric
Maximum air inlet pressure to sprayer	150 psi	1 MPa, 10.3 bar
Stroke length (nominal)	4.75 in.	12.0 cm
Maximum pump speed (Do not exceed maximum recommended speed of fluid pump, to prevent premature pump wear)	60 cycles per minute	
Sound Data	See Xtreme XL Motor manual for sound data.	
Air Inlet Size	1 in. npt(f)	
Fluid Inlet Size		
All Xtreme Lower Pumps	1 1/4 npt(m)	
Dura-Flo Lower Pumps	2 in. npt(f)	
Fluid Outlet Size (Number of Outlets)		
Xtreme Lower Pumps With Built-In Filters (2)	1/2 in. npt(f)	
Xtreme Lower Pumps Without Filters (1)	1 in. npt(f)	
Dura-Flo Lower Pumps (1)	3/4 npt(m)	
Maximum Air Operating Pressure		
K25 - K70 Sprayers	100 psi	0.7 MPa, 7 bar
K90 Sprayers	80 psi	0.55 MPa, 5.5 bar
Maximum Fluid Working Pressure		
K25 - K70 Sprayers	2375 psi	16.4 MPa, 164 bar
K90 Sprayers	7250 psi	50 MPa, 500 bar
Weight: Heavy Duty Cart / Light Weight Cart		
K25	228 lb / 196 lb	103 kg / 89 kg
K30	227.4 lb / 196.1 lb	103.6 kg / 89.0 kg
K40	223.4 lb / 191.1 lb	101.3 kg / 86.7 kg
K45	247.4 lb / 215.1 lb	112.2 kg / 97.6 kg
K50	246.4 lb / 214.1 lb	111.8 kg / 97.1 kg
K59	246.4 lb / 214.1 lb	111.8 kg / 97.1 kg
K60	246.4 lb / 214.1 lb	111.8 kg / 97.1 kg
K70	242.4 lb / 210.1 lb	109.9 kg / 95.3 kg
K90	242.4 lb / 210.1 lb	109.9 kg / 95.3 kg

Storage		
Maximum Storage Time	5 years	
Storage Maintenance	To maintain original performance, replace soft seals after 5 years of inactivity.	
Ambient Storage Temperature Range	30 - 160 °F	1 - 71 °C
Lifespan		
Lifetime use	Lifetime varies with use, materials sprayed, storage methods, and maintenance. Life minimum is 25 years	
Lifetime Service Maintenance	Replace leather packings every five years or less based on use	

Technical Specifications

Storage		
Maximum Storage Time	5 years	
Storage Maintenance	To maintain original performance, replace soft seals after 5 years of inactivity.	
Ambient Storage Temperature Range	30 - 160 °F	1 - 71 °C
End of Life Disposal	If the sprayer is in a condition that it can no longer operate, the sprayer should be taken out of service and dismantled. Individual parts should be sorted by material and disposed of properly. Electronic components are RoHS compliant and should be disposed of properly.	
Graco Four-Character Date Code		
Example: A18B	Month (first character) A = January, Year (second and third characters) 18 = 2018, Series (fourth character) B = serial control number	
Materials of Construction		
Wetted Materials	Plated carbon steel, stainless steels, carbide, ductile iron, PTFE, leather	

California Proposition 65

CALIFORNIA RESIDENTS

 **WARNING:** Cancer and reproductive harm – www.P65warnings.ca.gov.

Graco Standard Warranty

Graco warrants all equipment referenced in this document which is manufactured by Graco and bearing its name to be free from defects in material and workmanship on the date of sale to the original purchaser for use. With the exception of any special, extended, or limited warranty published by Graco, Graco will, for a period of twelve months from the date of sale, repair or replace any part of the equipment determined by Graco to be defective. This warranty applies only when the equipment is installed, operated and maintained in accordance with Graco's written recommendations.

This warranty does not cover, and Graco shall not be liable for general wear and tear, or any malfunction, damage or wear caused by faulty installation, misapplication, abrasion, corrosion, inadequate or improper maintenance, negligence, accident, tampering, or substitution of non-Graco component parts. Nor shall Graco be liable for malfunction, damage or wear caused by the incompatibility of Graco equipment with structures, accessories, equipment or materials not supplied by Graco, or the improper design, manufacture, installation, operation or maintenance of structures, accessories, equipment or materials not supplied by Graco.

This warranty is conditioned upon the prepaid return of the equipment claimed to be defective to an authorized Graco distributor for verification of the claimed defect. If the claimed defect is verified, Graco will repair or replace free of charge any defective parts. The equipment will be returned to the original purchaser transportation prepaid. If inspection of the equipment does not disclose any defect in material or workmanship, repairs will be made at a reasonable charge, which charges may include the costs of parts, labor, and transportation.

THIS WARRANTY IS EXCLUSIVE, AND IS IN LIEU OF ANY OTHER WARRANTIES, EXPRESS OR IMPLIED, INCLUDING BUT NOT LIMITED TO WARRANTY OF MERCHANTABILITY OR WARRANTY OF FITNESS FOR A PARTICULAR PURPOSE.

Graco's sole obligation and buyer's sole remedy for any breach of warranty shall be as set forth above. The buyer agrees that no other remedy (including, but not limited to, incidental or consequential damages for lost profits, lost sales, injury to person or property, or any other incidental or consequential loss) shall be available. Any action for breach of warranty must be brought within two (2) years of the date of sale.

GRACO MAKES NO WARRANTY, AND DISCLAIMS ALL IMPLIED WARRANTIES OF MERCHANTABILITY AND FITNESS FOR A PARTICULAR PURPOSE, IN CONNECTION WITH ACCESSORIES, EQUIPMENT, MATERIALS OR COMPONENTS SOLD BUT NOT MANUFACTURED BY GRACO. These items sold, but not manufactured by Graco (such as electric motors, switches, hose, etc.), are subject to the warranty, if any, of their manufacturer. Graco will provide purchaser with reasonable assistance in making any claim for breach of these warranties.

In no event will Graco be liable for indirect, incidental, special or consequential damages resulting from Graco supplying equipment hereunder, or the furnishing, performance, or use of any products or other goods sold hereto, whether due to a breach of contract, breach of warranty, the negligence of Graco, or otherwise.

FOR GRACO CANADA CUSTOMERS

The Parties acknowledge that they have required that the present document, as well as all documents, notices and legal proceedings entered into, given or instituted pursuant hereto or relating directly or indirectly hereto, be drawn up in English. Les parties reconnaissent avoir convenu que la rédaction du présente document sera en Anglais, ainsi que tous documents, avis et procédures judiciaires exécutés, donnés ou intentés, à la suite de ou en rapport, directement ou indirectement, avec les procédures concernées.

Graco Information

For the latest information about Graco products, visit www.graco.com.

For patent information, see www.graco.com/patents.

TO PLACE AN ORDER, contact your Graco distributor or call to identify the nearest distributor.

Phone: 612-623-6921 or Toll Free: 1-800-328-0211 Fax: 612-378-3505

All written and visual data contained in this document reflects the latest product information available at the time of publication. Graco reserves the right to make changes at any time without notice.

Original instructions. This manual contains English. MM 3A5422

Graco Headquarters: Minneapolis

International Offices: Belgium, China, Japan, Korea

GRACO INC. AND SUBSIDIARIES • P.O. BOX 1441 • MINNEAPOLIS MN 55440-1441 • USA
Copyright 2021 Graco Inc. All Graco manufacturing locations are registered to ISO 9001.

www.graco.com
Revision K, August 2023