

Floor Mounting Kit

Merkur™ Bellows Pumps - Cart Models

406859A

ENG



Important Safety Instructions

Read all warnings and instructions in manual 312799. Save all instructions.

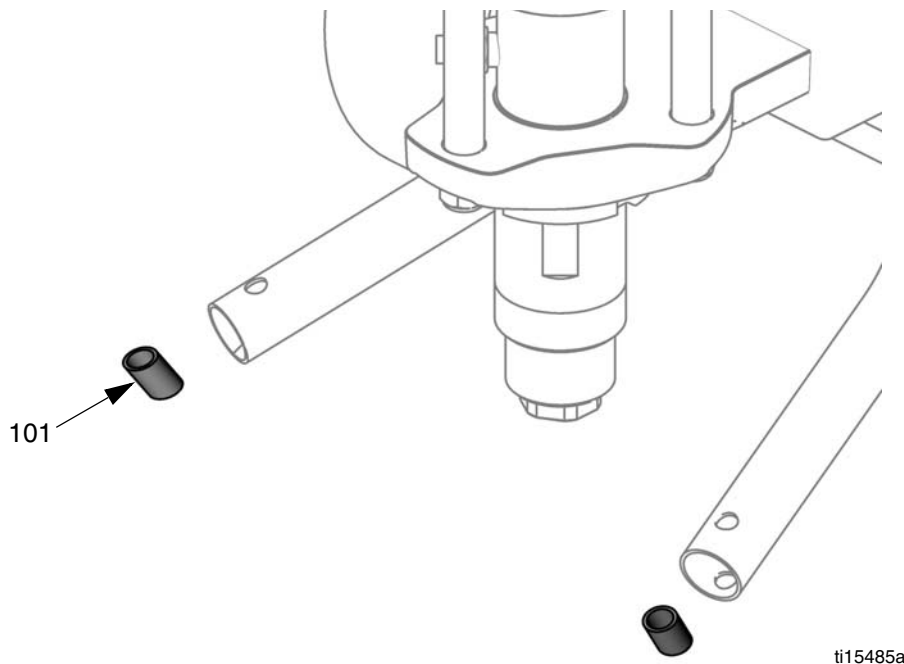
Kit 24E885

Ref. Description
101 SPACERS

Qty.
2

Directions

1. Remove caps from cart legs.
2. Insert one spacer in each cart leg, aligned with bolt holes.
3. Insert bolts (customer supplied) through the cart legs and spacers, into the floor.



Graco Inc. P.O. Box 1441 Minneapolis, MN 55440-1441
Original instructions. MM 406859
Copyright 2010, Graco Inc. is registered to ISO 9001