

Blanking Plate Kit

407051D

InvisiPac™ GS35 Plug-Free™ Hot Melt Applicator

EN

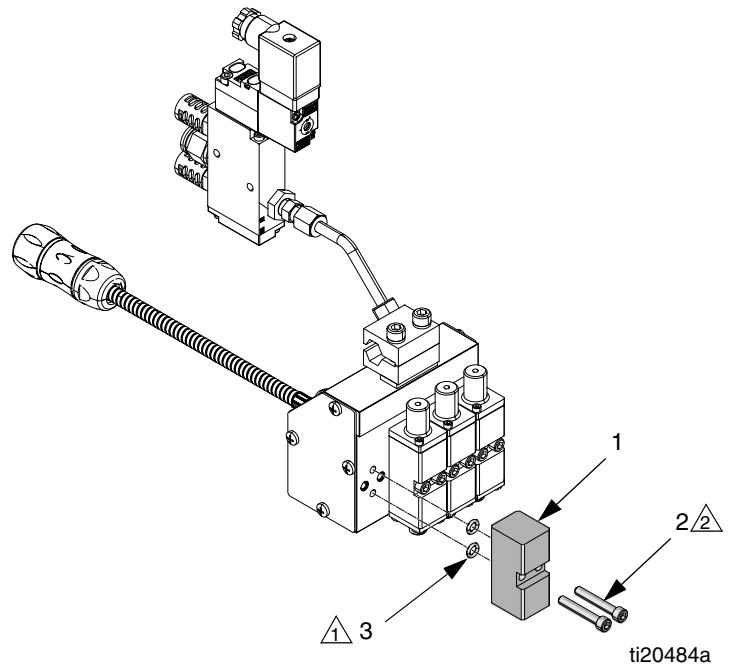


Important Safety Instructions

Read all warnings and instructions in the InvisiPac™ GS35 Plug-Free™ Hot Melt Applicator manual. Save all instructions.

Kit 24P810

Ref. Part	Description	Qty.
1	----- PLATE, blanking	1
2	104705 SCREW, cap, sch; #10-32 x 1.25 in.	2
3	24R835 O-RING (10 pack)	2
4	24T179 LUBRICANT, anti-seize	1



- ⚠ 1 Apply high temperature lubricant 24T156 to o-rings (3).
- ⚠ 2 Apply anti-seize lubricant to threads. Torque to 28-32 in-lbs (3.2-3.6 N•m).

GRACO INC. AND SUBSIDIARIES • P.O. BOX 1441 • MINNEAPOLIS MN 55440-1441 • USA

Copyright 2012, Graco Inc. All Graco manufacturing locations are registered to ISO 9001.

407051, Revision D, July 2013